

4

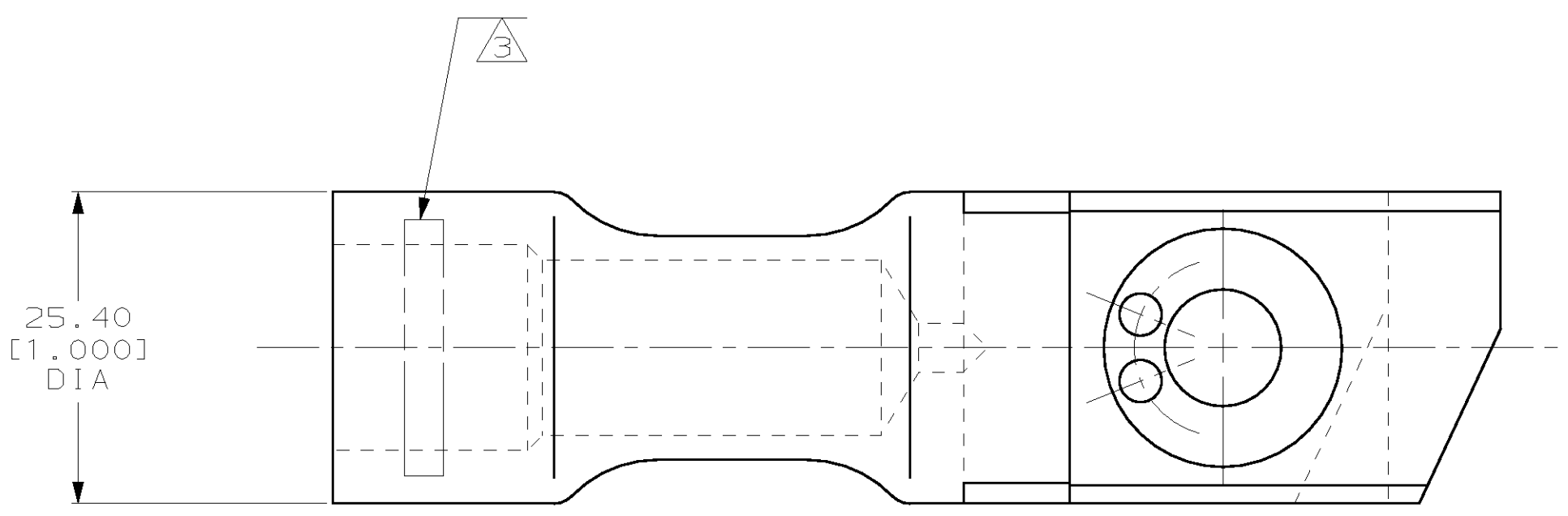
3

2

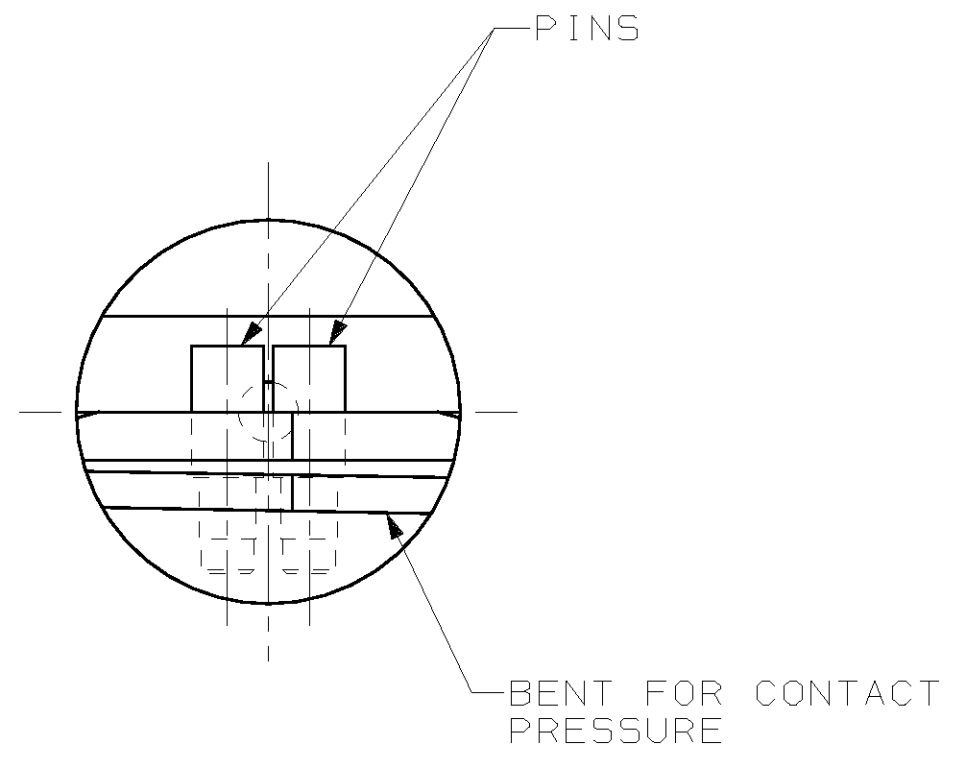
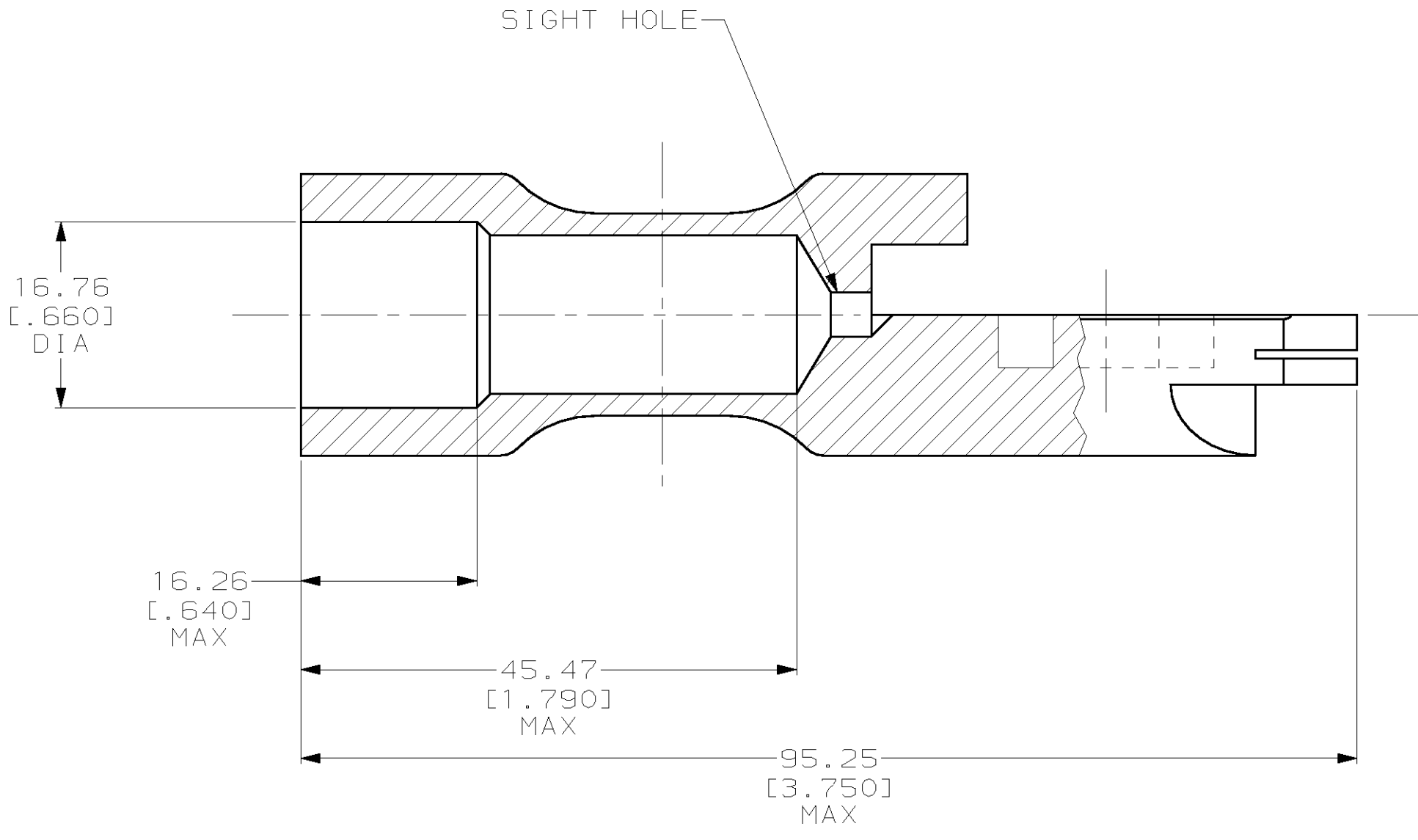
1

THIS DRAWING IS UNPUBLISHED. RELEASED FOR PUBLICATION
 (C) COPYRIGHT 19 BY AMP INCORPORATED. ALL RIGHTS RESERVED.

LOC		DIST		REVISIONS			
P	LTR	DESCRIPTION	DATE	DWN	APVD		
G	86	0	RELEASED PER PR 97-151	26JAN98	DKS	SJU	



- 1 BODY AND PINS: BRASS PER QQ-B-626
- 2 SILVER PL 0.00762[.000300] MIN THK PER QQ-S-365
- 3 STAMP AEG 7077D80G17 2/O A33 LOCATED IN AREA APPROX AS SHOWN



696037-1
AMP
PART NUMBER

THIS DRAWING IS A CONTROLLED DOCUMENT.		DWN	DK SCHRUM	23JAN98	AMP Incorporated Harrisburg, PA 17105-3608			
DIMENSIONS:		CHK	SJ UNGER	26JAN98				
mm [INCHES]		APVD	TJ MICHELUTTI	26JAN98				
TOLERANCES UNLESS OTHERWISE SPECIFIED: 0 PLC ±- 1 PLC ±- 2 PLC ±0.20(.008) 3 PLC ±- 4 PLC ±- ANGLES ±-		NAME	TERMINAL ASSY, QUICK-DISCONNECT, AMPOWER™, WIRE SIZE: 2/O AWG					
MATERIAL		PRODUCT SPEC	108-13014		SIZE	CAGE CODE	DRAWING NO	RESTRICTED TO
FINISH		APPLICATION SPEC	-		A2	00779	C- 696037	-
1 2		WEIGHT	-		SCALE	2:1		SHEET 1 OF 1
CUSTOMER DRAWING		SCALE		2:1	SHEET		1 OF 1	REV 0

696037

单击下面可查看定价，库存，交付和生命周期等信息

[>>TE Connectivity\(泰科\)](#)