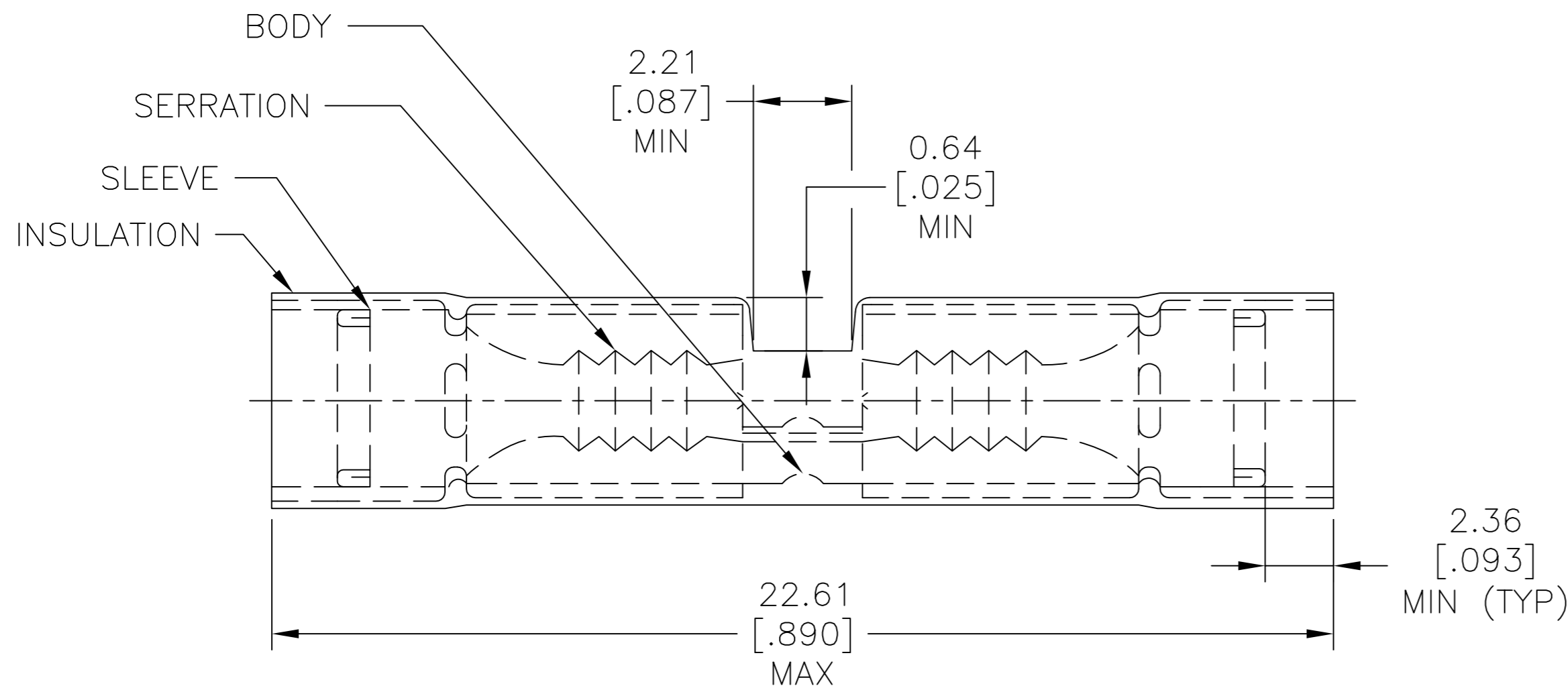


THIS DRAWING IS UNPUBLISHED. RELEASED FOR PUBLICATION
 © COPYRIGHT - By - ALL RIGHTS RESERVED.

REVISIONS				
P	LTR	DESCRIPTION	DATE	DWN APVD
	T3	REVISED PER ECO-11-004820	11MAR11	RK HMR
	T4	REVISED PER ECO-17-009107	23JUN2017	RS DR

AMP WIRE RANGE	MILITARY WIRE RANGE
26-22 AWG STRANDED	26-24 AWG STRANDED



- 1 WIRE INSULATION DIA: $\phi 1.27-2.08$ [$\phi 0.050-.082$]
- 2 MATERIAL, BODY - COPPER PER ASTM B-152
SLEEVE - COPPER PER ASTM B-152
INSULATION - NYLON - COLOR - YELLOW
- 3 NOTE DELETED.

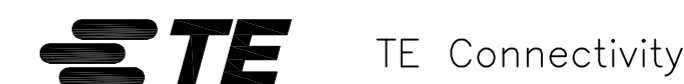
--	25	LOOSE PIECE, BOX	8-323994-3
--	50	LOOSE PIECE, BOX	8-323994-2
--	50	LOOSE PIECE	2-323994-2
--	4000	ON TAPE, REEL	2-323994-1
26-24 M7928/5-1 CLASS 1 & 2	50	LOOSE PIECE	323994
MILITARY P/N & CLASS PER MIL-T-7928	QTY	PACKAGE TYPE	PART NO

AMP INCORPORATED
CUSTOMER SERVICE SYSTEMS

MAX RECOMMENDED OPERATING TEMPERATURE:
105°C [221°F]

THIS DRAWING IS A CONTROLLED DOCUMENT.

DWN 9-28-93
S.S. GOULDEN



FOR ADDITIONAL PRODUCT INFORMATION OR COPIES OF DRAWINGS AND TECHNICAL DOCUMENTS

PRODUCT INFORMATION CENTER
1-800-522-6752

VOLTAGE RATING:
-

DIMENSIONS:
mm [INCHES]

TOLERANCES UNLESS OTHERWISE SPECIFIED:

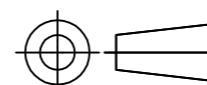
CHK 9-28-93
R. HERSEY

NAME
SPLICE, BUTT, PIDG,
WIRE SIZE 26-22 AWG

FOR APPLICATION TOOLING INFORMATION

TOOLING ASSISTANCE CENTER
1-800-722-1111

CIRCULAR MIL AREA:
0.10-0.41mm² [202-810] STRANDED



0 PLC ± -
1 PLC ± -
2 PLC ± 0.20[.008]
3 PLC ± -
4 PLC ± -
ANGLES ± -

APVD 9-28-93
M. ELLIS

SIZE CAGE CODE DRAWING NO RESTRICTED TO

FOR ORDER ENTRY 1-800-526-5142

THIS DRAWING IS A CONTROLLED DOCUMENT FOR AMP INCORPORATED. IT IS SUBJECT TO CHANGE AND THE CONTROLLING ENGINEERING ORGANIZATION SHOULD BE CONTACTED FOR THE LATEST REVISION.



FINISH
TIN PL PER ASTM B-545

PRODUCT SPEC

APPLICATION SPEC

WEIGHT -

A3 00779 C=323994

CUSTOMER DRAWING

SCALE NTS SHEET 1 OF 1 REV T4

单击下面可查看定价，库存，交付和生命周期等信息

[>>TE Connectivity\(泰科\)](#)