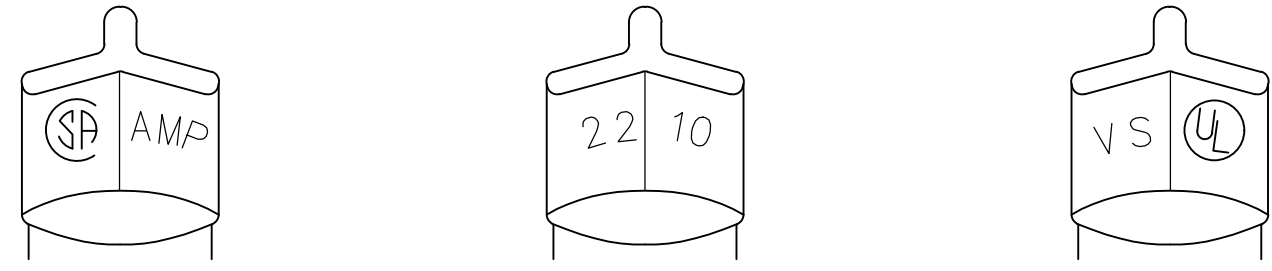


THIS DRAWING IS UNPUBLISHED. RELEASED FOR PUBLICATION  
 © COPYRIGHT - By - ALL RIGHTS RESERVED.

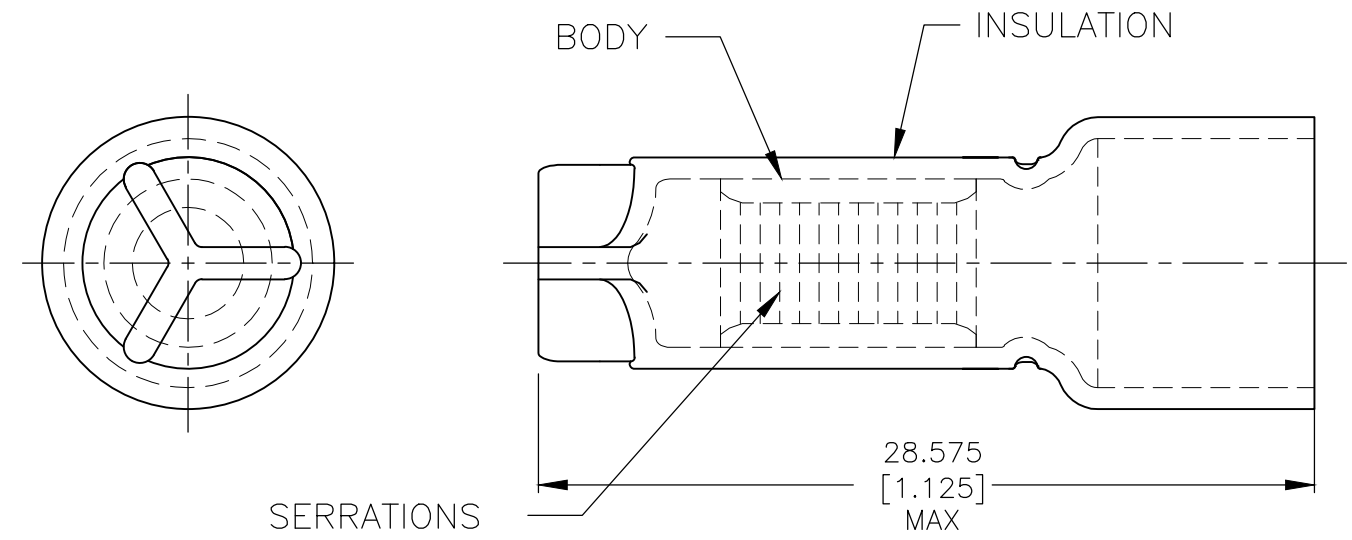
REVISIONS					
P	LTR	DESCRIPTION	DATE	DWN	APVD
	R2	REVISED PER ECO-17-006294	09OCT2017	RS	DR
	R3	REVISED PER ECO-19-010628	12FEB2020	RK	DR



STAMPING DETAIL

- 1 FOR  $\phi 7.925$  [ $\phi .312$ ] MAX WIRE INSULATION.
- 2 NOTE DELETED.
- 3 MATERIAL: BODY; COPPER PER ASTM B152 INSULATION; PVC
- 4 FINISH: BODY; TIN PLATE 0.00254[.000100] MIN EXT. THK. PER ASTM B-545 INSULATION; COLOR-PURPLE

<b>AMP</b> WIRE RANGE	Listed	LR7189 Certified
22-10 AWG SOLID OR STRANDED	22-10 AWG SOLID OR STRANDED	22-10 AWG SOLID OR STRANDED



1,500	TAPE MOUNTED	1-36965-1
500	LOOSE PIECE	36965
QTY	DESCRIPTION	PART NO

<b>AMP INCORPORATED</b> <b>CUSTOMER SERVICE SYSTEMS</b>		MAX RECOMMENDED OPERATING TEMPERATURE: 90°C[194°F] MAX	THIS DRAWING IS A CONTROLLED DOCUMENT.		DWN G KRUPER 1/93 CHK R HERSEY 1/93 APVD M ELLIS 1/93	TE Connectivity			
FOR ADDITIONAL PRODUCT INFORMATION OR COPIES OF DRAWINGS AND TECHNICAL DOCUMENTS PRODUCT INFORMATION CENTER 1-800-522-6752	FOR APPLICATION TOOLING ASSISTANCE CENTER TOOLING INFORMATION 1-800-722-1111	VOLTAGE RATING: 300V MAX	DIMENSIONS: mm [INCHES]	TOLERANCES UNLESS OTHERWISE SPECIFIED: 0 PLC ± - 1 PLC ± - 2 PLC ± - 3 PLC ± 0.127[.005] 4 PLC ± - ANGLES ± -	PRODUCT SPEC <b>UL 486 C</b>	NAME SPLICE, WIRE, CLOSED END 22-10 AWG			
FOR ORDER ENTRY 1-800-526-5142	THIS DRAWING IS A CONTROLLED DOCUMENT FOR AMP INCORPORATED. IT IS SUBJECT TO CHANGE AND THE CONTROLLING ENGINEERING ORGANIZATION SHOULD BE CONTACTED FOR THE LATEST REVISION.	CIRCULAR MIL AREA: 0.3-6.0mm <sup>2</sup> [3248-13100] SOLID OR STRANDED	MATERIAL 	FINISH 	APPLICATION SPEC 114-2149	SIZE A3	CAGE CODE 00779	DRAWING NO C-36965	RESTRICTED TO -
CUSTOMER DRAWING					WEIGHT -	SCALE 4:1	SHEET 1 OF 1	REV R3	

单击下面可查看定价，库存，交付和生命周期等信息

[>>TE Connectivity\(泰科\)](#)