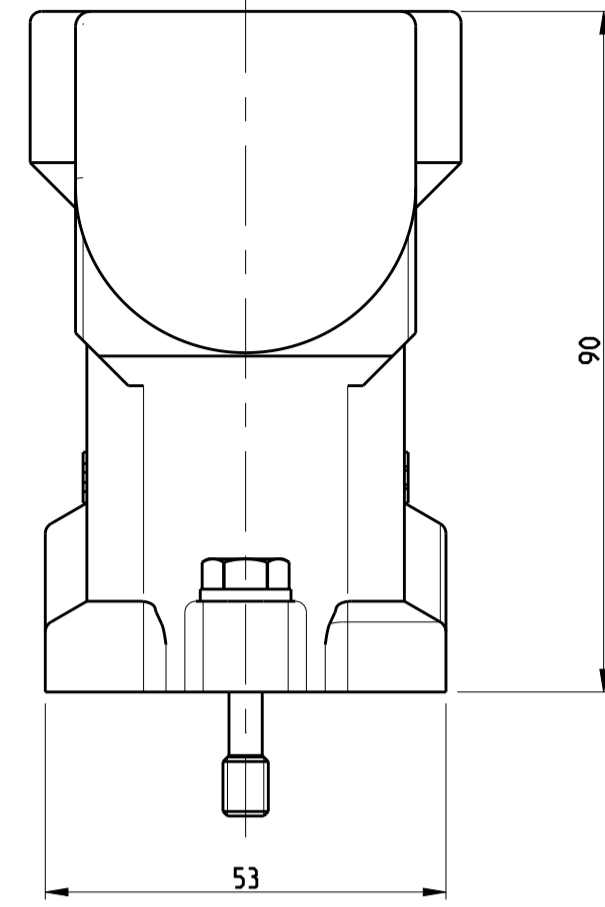
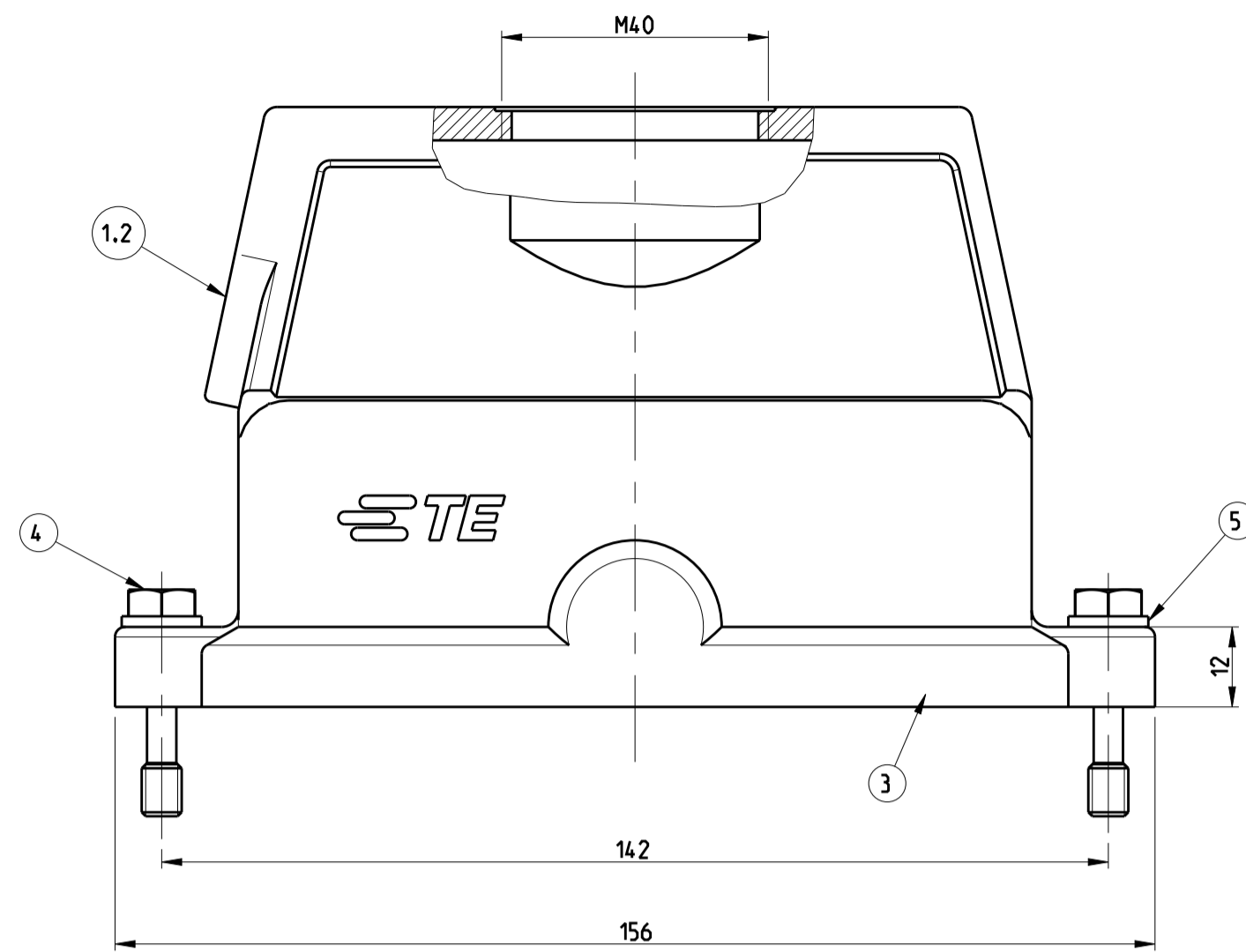
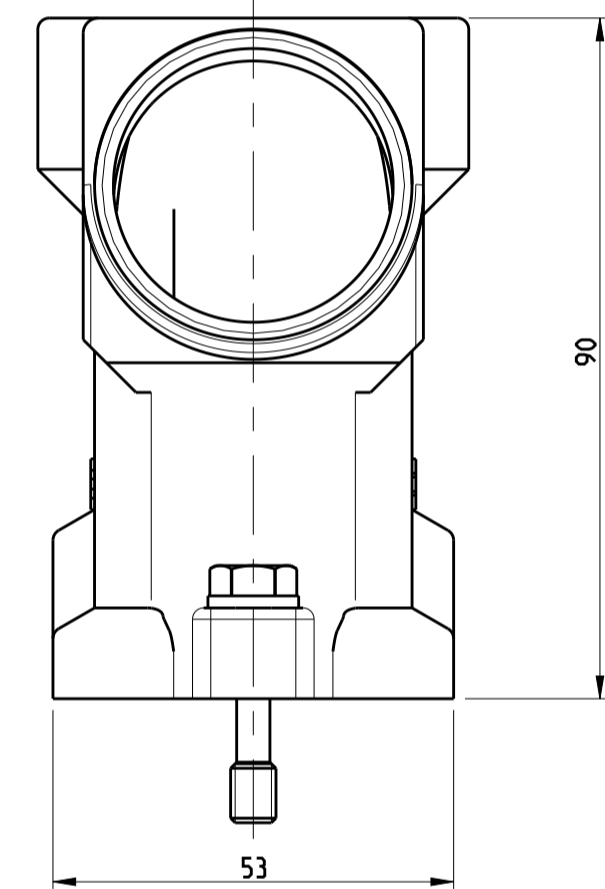
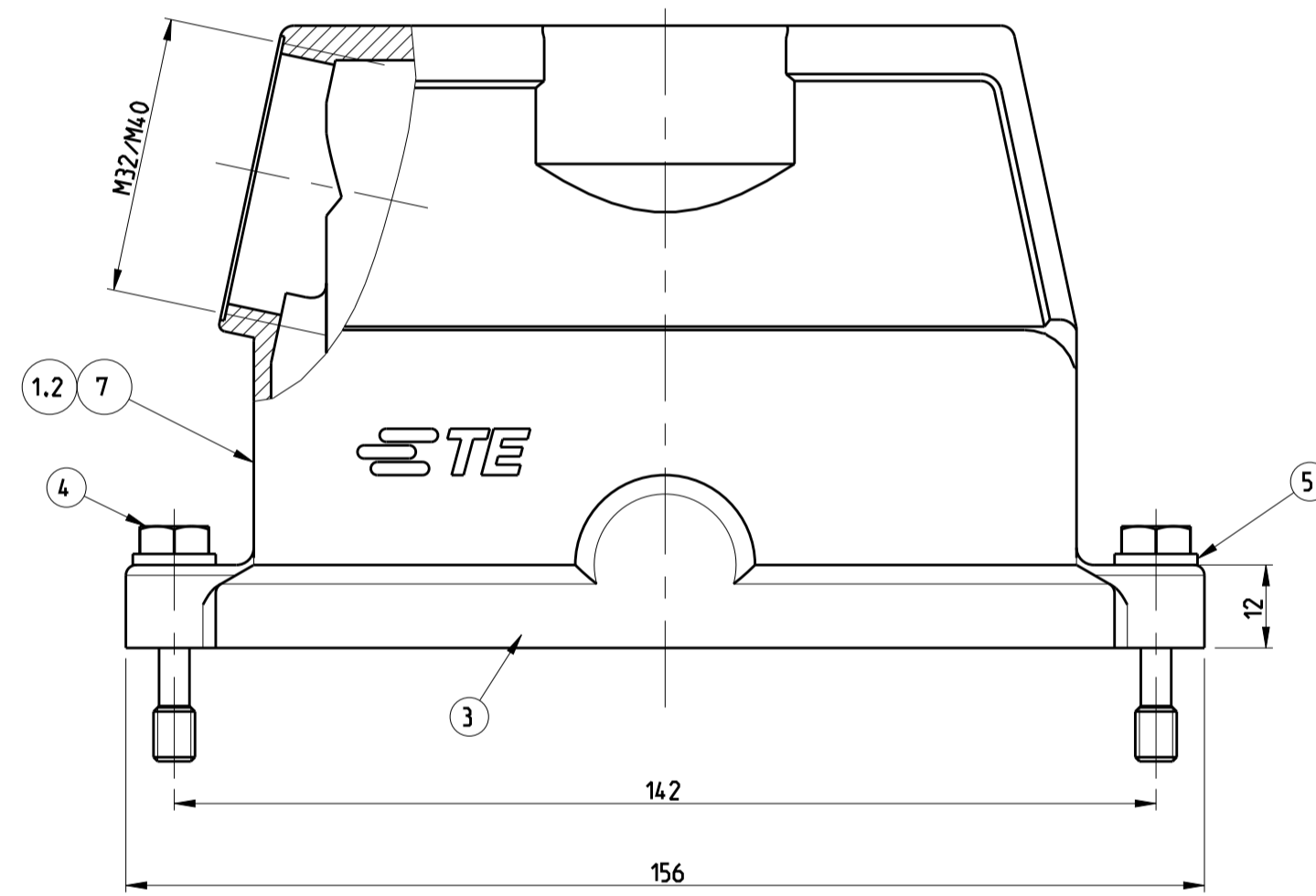


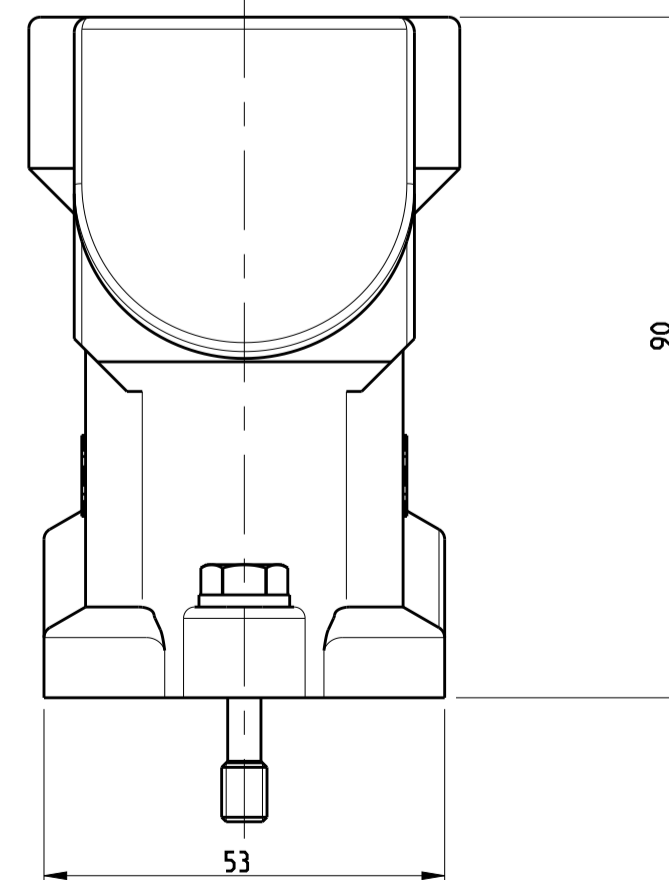
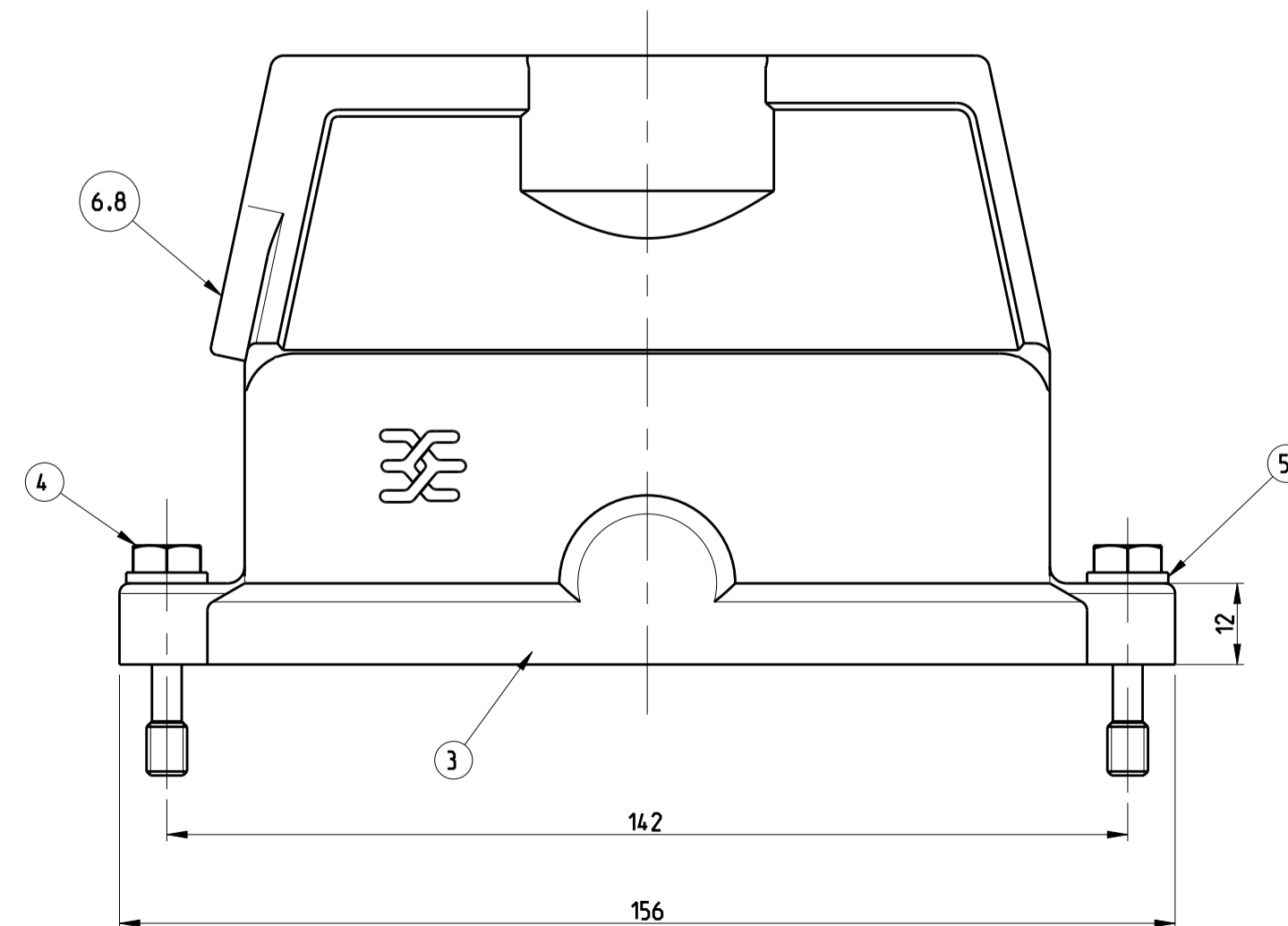
PN 0-1, 0-3 & 0-5



PN 0-2,0-4 & 0-7



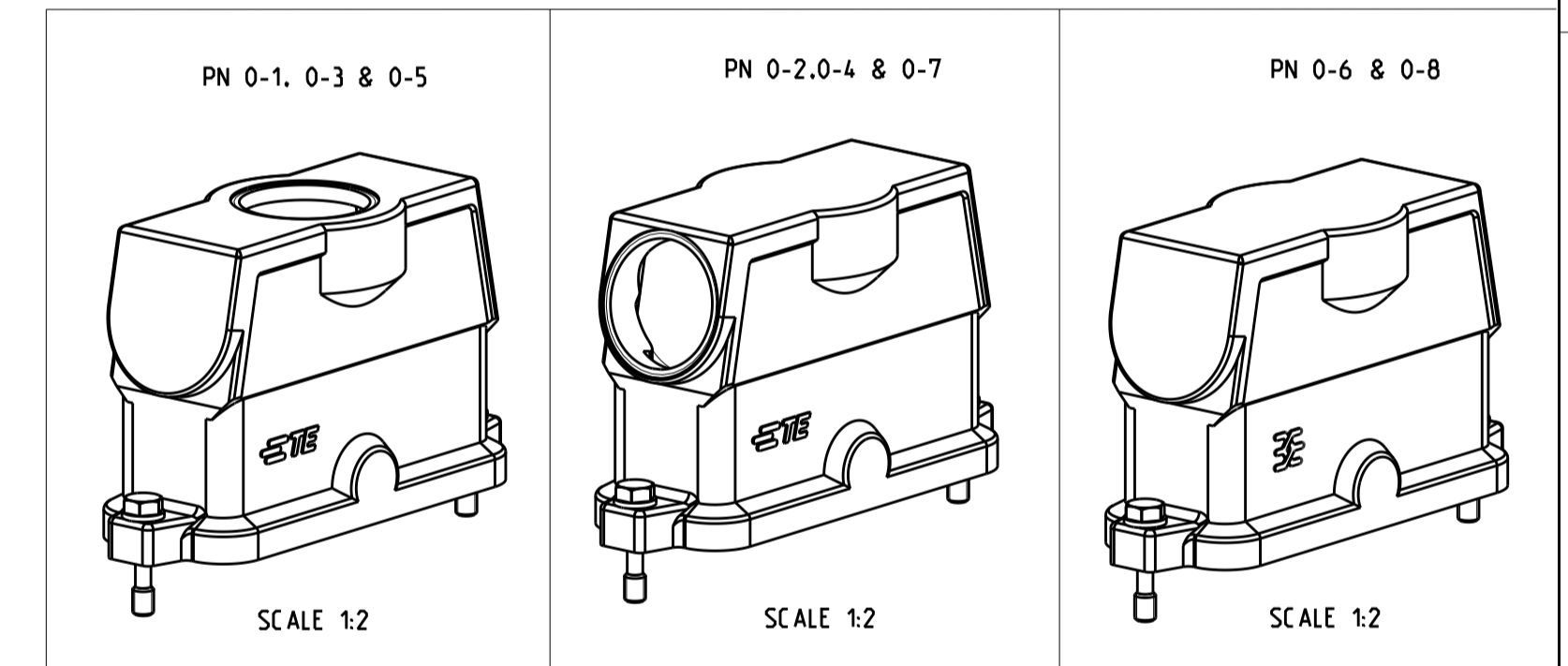
PN 0-6 & 0-8



REVISIONS				
P	LTR	DESCRIPTION	DATE	APVD
	AB	REVISED PER ECR-16-016780	19SEP2017	NG MKO

NOTES

- 1 Material: Housing: Aluminium diecasting alloy
seals: Neoprene
- 2 Surface:- Aluminium oxide + Varnish Black
-Grey
- 3 Varnish on the inside not necessary
- ⚠ Special- Logo
- 5 Packaging quantity 5 pieces in a box



OBsolete									
QTY	ITEM NO	DESCRIPTION	MATERIAL	SURFACE	COLOR	ITEM NO	REMARKS		
1	1	Hood HIP-K	Aluminium	Aluminium oxide	Black	8	Without logo/thread		
1	1	Hood HIP	Aluminium		Without varnish	7			
2	2	Hood HIP-K	Aluminium	Aluminium oxide	Without varnish	6	Without M-Thread		
2	2	Pane	Stainless steel	Blank		5	B6.4		
2	2	Fixing screw	Stainless steel	Blank		4	M6x30		
1	1	Seal	Neoprene		Black	3			
					Black	2			
					Grey	1			
0-8	0	70-6	0	5	0-4	0-2	0-3	0-1	
ORDERING TEXT									
HIP.24/64.ST0.1.M40.G									
HIP.24/64.ST0.1.M40.G									
HIP.24/64.STS.1.M40.G									
HIP-K.24/64.STS.1.M40.G									
HIP-K.24/64.STS.1.M32.G									
HIP-K.24/64.ST									
HIP.24/64.STS.1.M40.G									

THIS DRAWING IS A CONTROLLED DOCUMENT. DWG: 10.09.02
 Schmeider
 CHE: 10.09.02
 Schweiger

DIMENSIONS: mm

TOLERANCES UNLESS OTHERWISE SPECIFIED:
 0 PLC ±
 1 PLC ±
 2 PLC ±
 3 PLC ±
 4 PLC ±
 ANGLES °
 FINISH

PRODUCT SPEC: 108-74030
 APPLICATION SPEC: 116-74017

MATERIAL: CUSTOMER DRAWING

NAME: Hood HIP.24/64.1.M32/M40.G

SIZE: A1
 CAGE CODE: 00779
 DRAWING NO: C=1106473

RESTRICTED TO: -

SCALE: 1:1 SHEET: 1 OF 1 REV: A8

单击下面可查看定价，库存，交付和生命周期等信息

[>>TE Connectivity\(泰科\)](#)