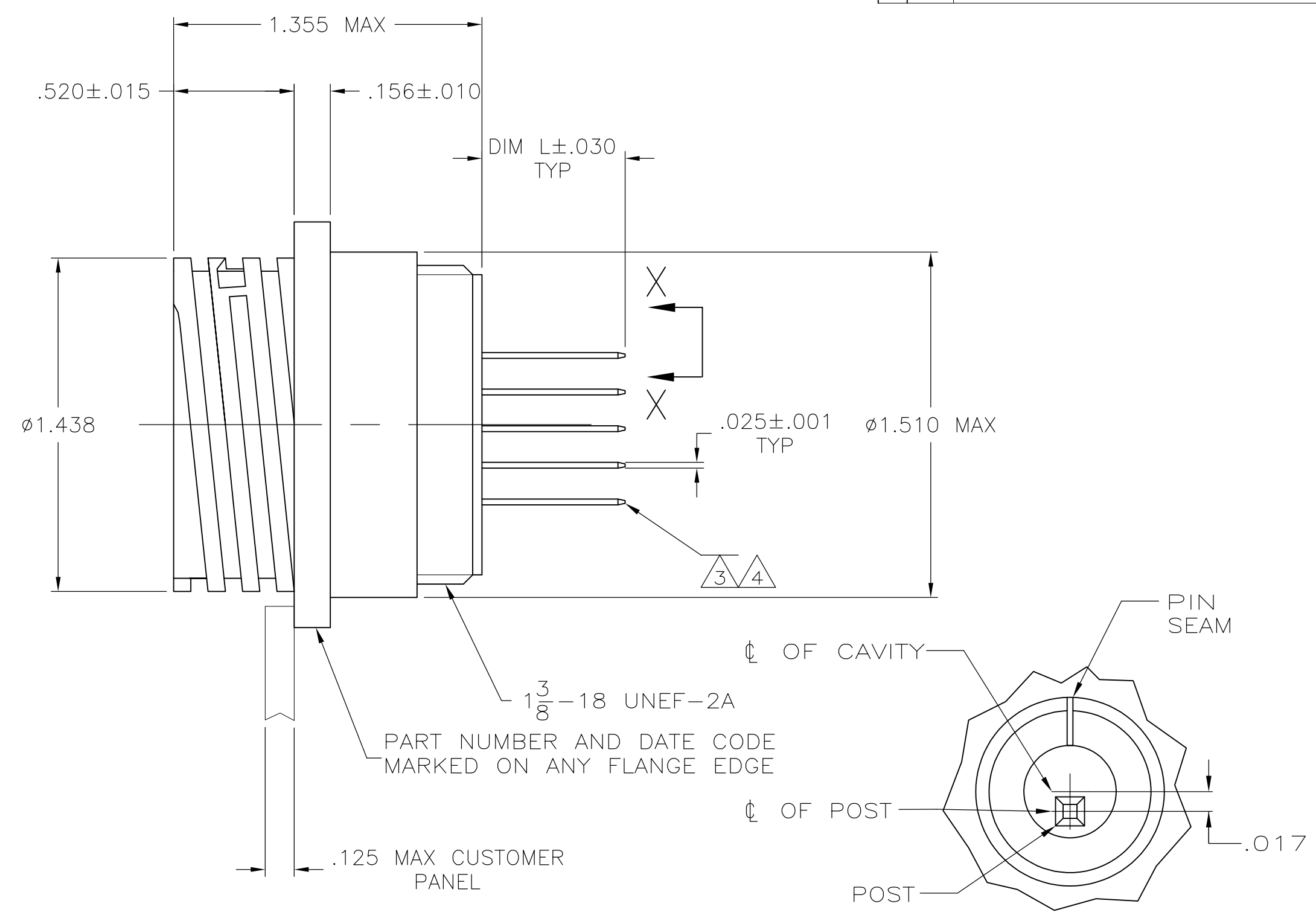
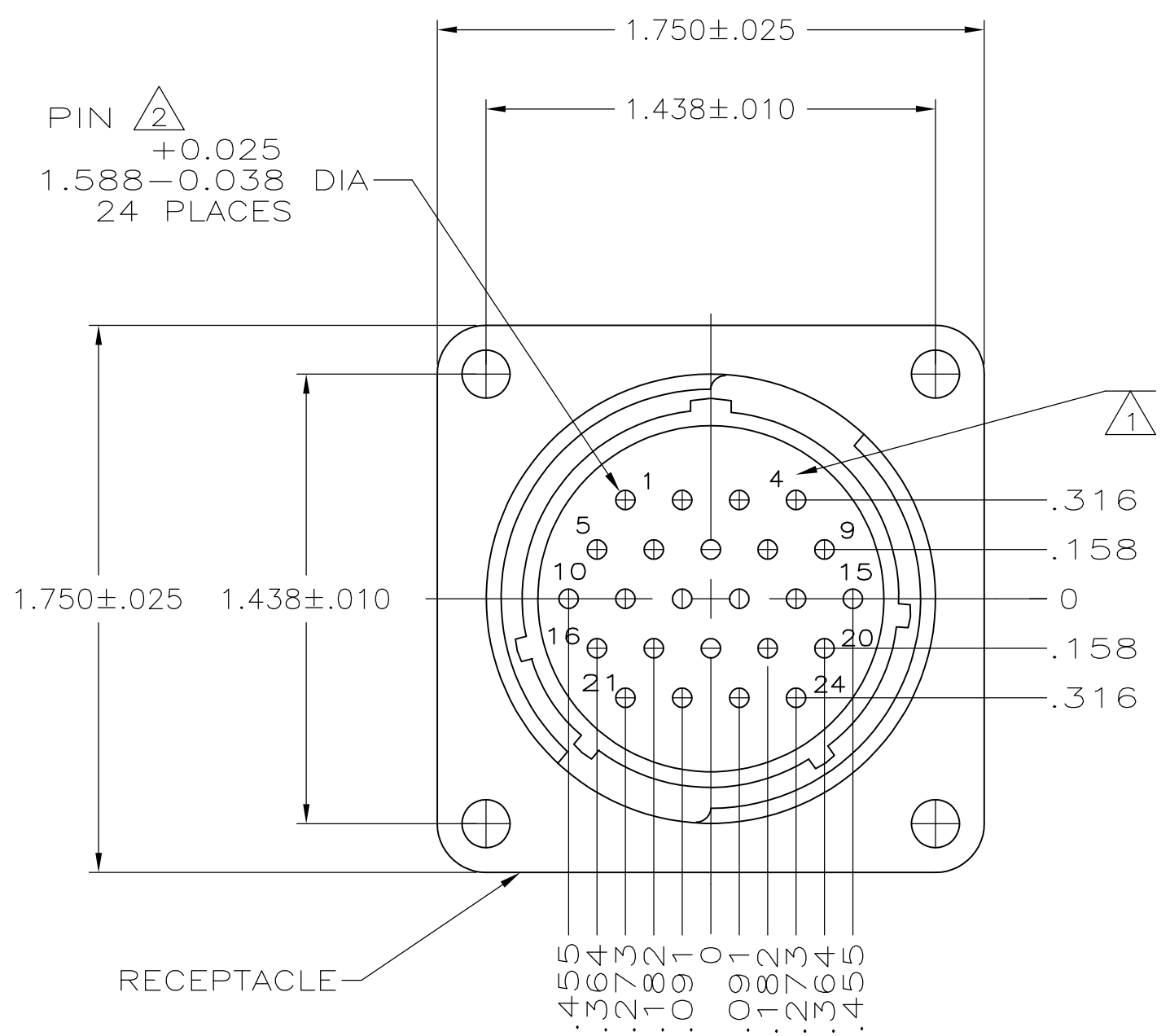
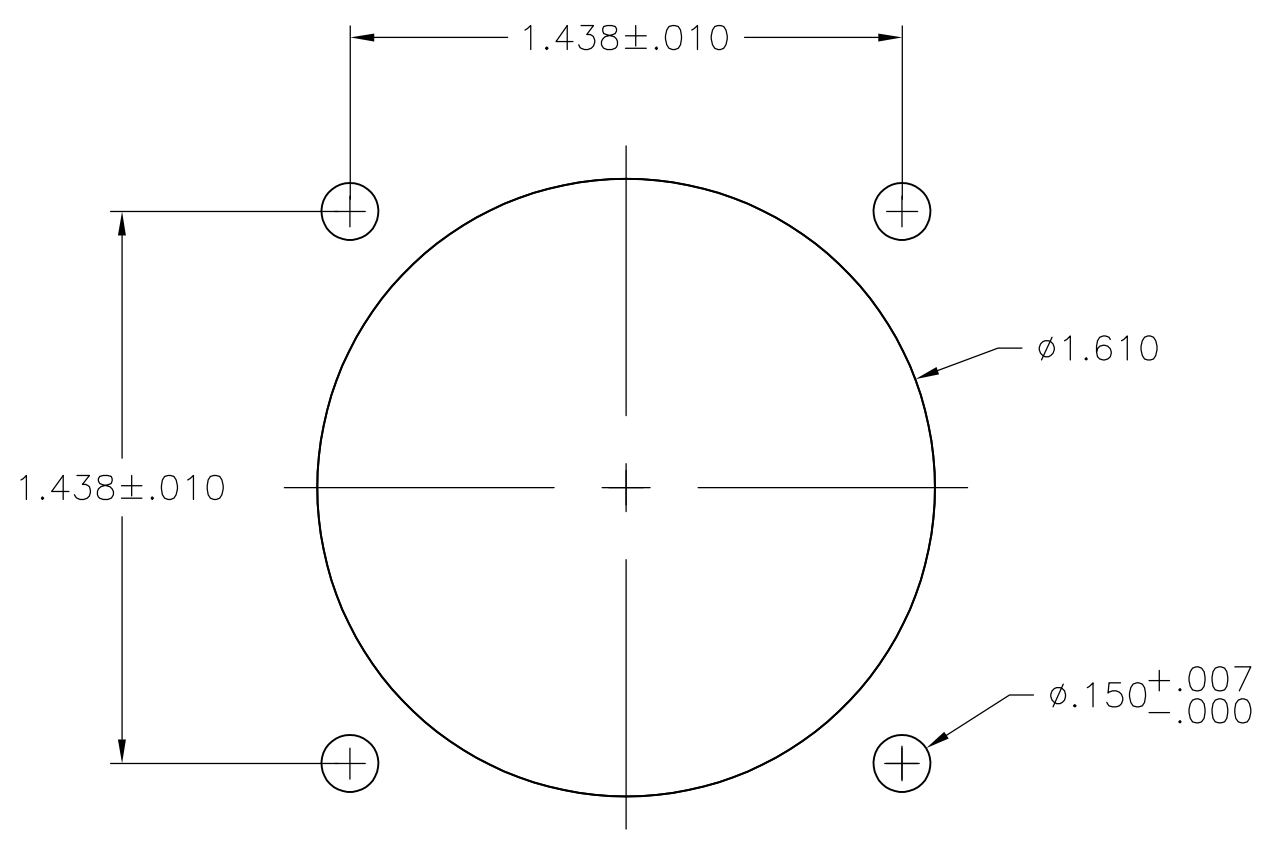


THIS DRAWING IS UNPUBLISHED. RELEASED FOR PUBLICATION
 © COPYRIGHT - By - ALL RIGHTS RESERVED.

REVISIONS		29NOV01	RH		
P	LTR	DESCRIPTION	DATE	DWN	APVD
D1		REVISED PER ECO-16-004800	08SEP2016	NK	MZ



VIEW X-X
 TYPICAL
 SCALE 10:1



RECOMMENDED PANEL CUTOUT

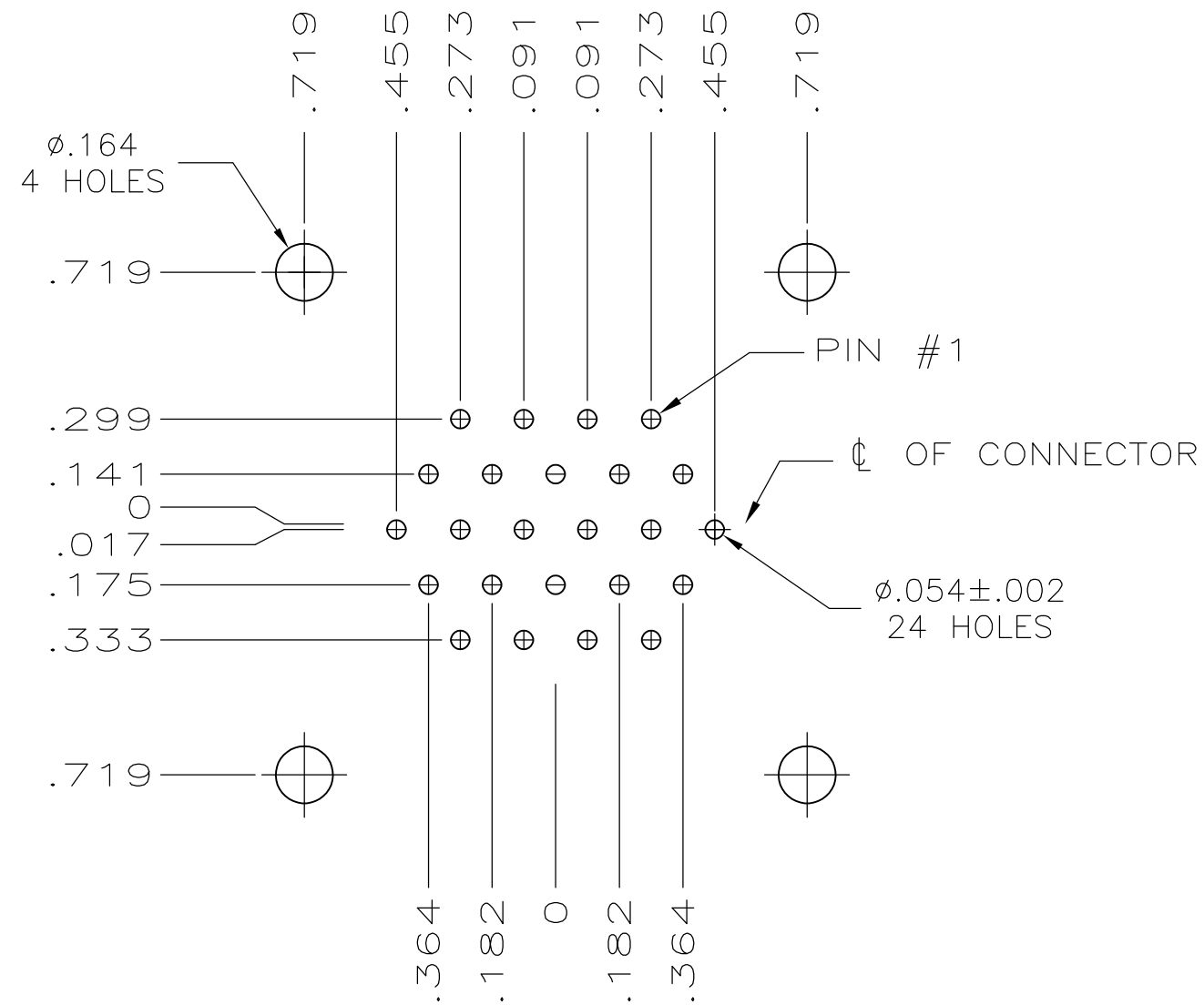
- $\Delta 1$ CAVITY IDENTIFICATION CHARACTERS ON FRONT AND REAR FACE.
- $\Delta 2$.000030 MIN GOLD FOR A LENGTH OF .250 MIN FROM MATING END OVER .000050 MIN NICKEL.
- $\Delta 3$.000100 MIN TIN-LEAD OVER .000050 MIN NICKEL ON THIS END.
- $\Delta 4$.000100 MIN TIN OVER .000050 MIN NICKEL ON THIS END.

OBSOLETE	$\Delta 4$.618	213798-3
	$\Delta 3$.244	-213798-2-
	$\Delta 3$.618	213798-1
POST FINISH	DIM L	PART NUMBER	

THIS DRAWING IS A CONTROLLED DOCUMENT.		DWN D.BROCKWAY 06-30-94	TE Connectivity																			
DIMENSIONS: INCHES		CHK R.STONE 07-06-94	NAME																			
TOLERANCES UNLESS OTHERWISE SPECIFIED:		APVD -	PRODUCT SPEC 108-10024																			
<table border="0"> <tr><td>0 PLC</td><td>\pm</td><td>-</td></tr> <tr><td>1 PLC</td><td>\pm</td><td>-</td></tr> <tr><td>2 PLC</td><td>\pm</td><td>.005</td></tr> <tr><td>3 PLC</td><td>\pm</td><td>-</td></tr> <tr><td>4 PLC</td><td>\pm</td><td>-</td></tr> <tr><td>ANGLES</td><td>\pm</td><td>-</td></tr> </table>		0 PLC	\pm	-	1 PLC	\pm	-	2 PLC	\pm	.005	3 PLC	\pm	-	4 PLC	\pm	-	ANGLES	\pm	-	APPLICATION SPEC -	SIZE A2	CAGE CODE 00779
0 PLC	\pm	-																				
1 PLC	\pm	-																				
2 PLC	\pm	.005																				
3 PLC	\pm	-																				
4 PLC	\pm	-																				
ANGLES	\pm	-																				
MATERIAL PIN: BRASS RECEPTACLE: NYLON, BLACK	FINISH -	WEIGHT	DRAWING NO C=213798	RESTRICTED TO -																		
CUSTOMER DRAWING		SCALE 2:1	SHEET 1 of 2	REV D1																		

THIS DRAWING IS UNPUBLISHED. RELEASED FOR PUBLICATION
 © COPYRIGHT - By - ALL RIGHTS RESERVED.

REVISIONS				
P	LTR	DESCRIPTION	DATE	APVD
-	-	SEE SHEET 1	-	-



RECOMMENDED P.C. BOARD LAYOUT

THIS DRAWING IS A CONTROLLED DOCUMENT.		DWN D.BROCKWAY 06-30-94		
DIMENSIONS: INCHES		CHK R.STONE 07-06-94		
		TOLERANCES UNLESS OTHERWISE SPECIFIED: 0 PLC ± - 1 PLC ± - 2 PLC ± .005 3 PLC ± - 4 PLC ± - ANGLES ± -		NAME
MATERIAL PIN: BRASS RECEPTACLE: NYLON, BLACK		APVD - PRODUCT SPEC 108-10024 APPLICATION SPEC -		RECEPTACLE ASSEMBLY, 23-24, STANDARD SEX, POSTED CONTACTS, CPC
FINISH -		WEIGHT -	SIZE A2	RESTRICTED TO -
CUSTOMER DRAWING		CAGE CODE 00779	DRAWING NO C-213798	SCALE 2:1
		SHEET 2 OF 2	REV D1	

单击下面可查看定价，库存，交付和生命周期等信息

[>>TE Connectivity\(泰科\)](#)