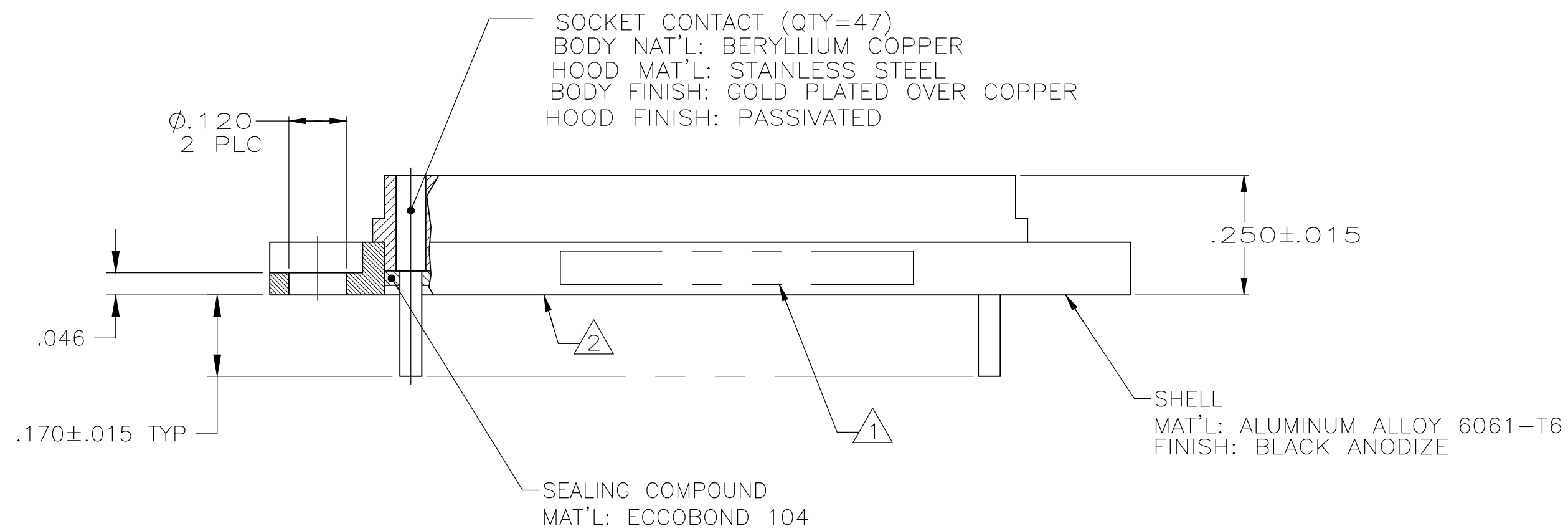
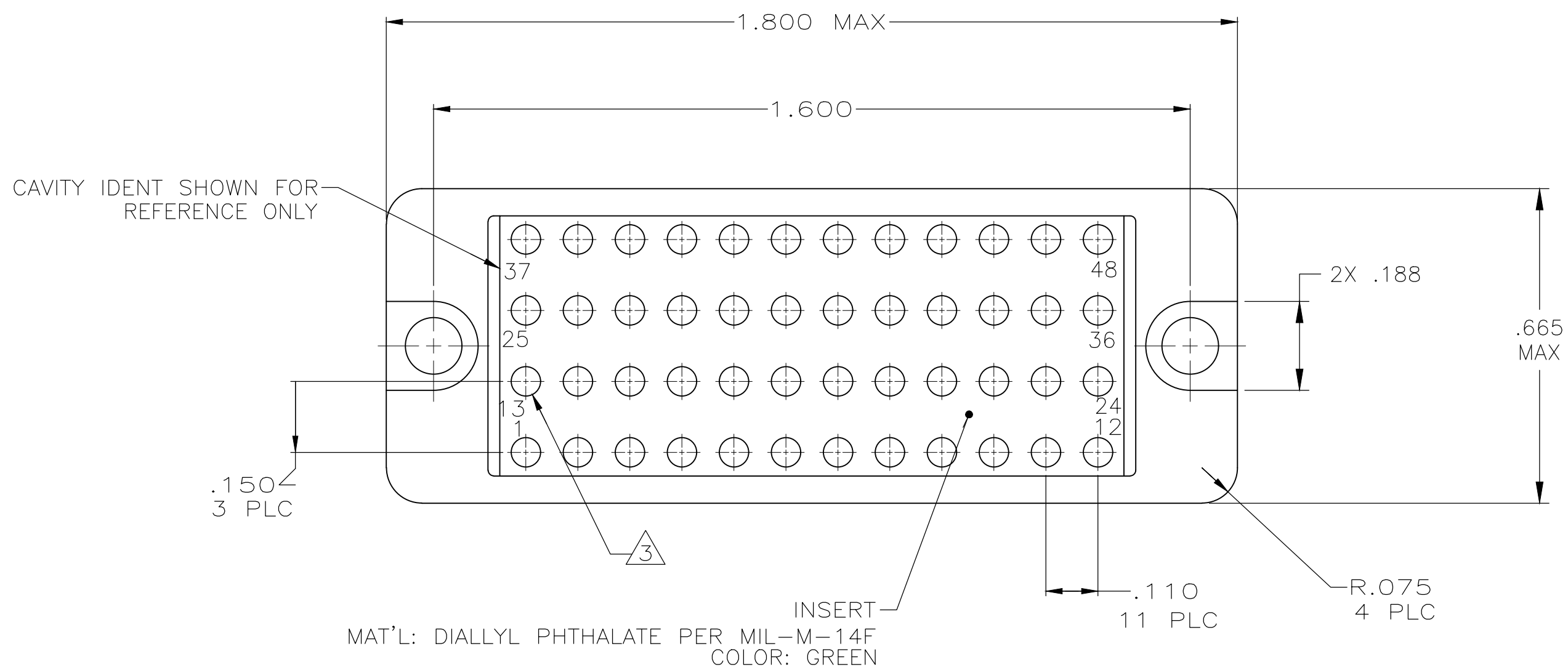


THIS DRAWING IS UNPUBLISHED. RELEASED FOR PUBLICATION  
 © COPYRIGHT - TE Connectivity ALL RIGHTS RESERVED.

| REVISIONS |     |                       |         |     |      |
|-----------|-----|-----------------------|---------|-----|------|
| P         | LTR | DESCRIPTION           | DATE    | DWN | APVD |
| C         |     | REV PER ECO 18-010204 | 8-25-18 | CT  | DM   |



- ① AMP, DATE CODE AND AMP PART NO. MARKED IN THIS AREA
- ② THIS SURFACE SHALL HAVE BLACK ANODIZE REMOVED AND SHALL HAVE A PROTECTIVE SURFACE COATING PER MIL-C-81076, CLASS 1A, FORM III. (IRIDITE,ALODINE OR EQUIV.)
- ③ CONTACT NOT INSTALLED IN POSITION #13.

594038-2  
 PART NO.

|   |   |        |              |         |                           |       |           |        |            |          |               |       |   |      |       |   |   |        |   |   |              |      |  |
|---|---|--------|--------------|---------|---------------------------|-------|-----------|--------|------------|----------|---------------|-------|---|------|-------|---|---|--------|---|---|--------------|------|--|
| THIS DRAWING IS A CONTROLLED DOCUMENT.  |   | DWN    | C.C.THOMAS   | 4/21/98 | <b>TE</b> TE Connectivity |       |           |        |            |          |               |       |   |      |       |   |   |        |   |   |              |      |  |
| DIMENSIONS: INCHES  |   | CHK    | D.NALLY      | 5-13-98 |                           |       |           |        |            |          |               |       |   |      |       |   |   |        |   |   |              |      |  |
| TOLERANCES UNLESS OTHERWISE SPECIFIED:  |   | APVD   | D.NALLY      | 5-13-98 |                           |       |           |        |            |          |               |       |   |      |       |   |   |        |   |   |              |      |  |
| <table border="1"> <tr><td>0 PLC</td><td>±</td><td>-</td></tr> <tr><td>1 PLC</td><td>±</td><td>-</td></tr> <tr><td>2 PLC</td><td>±</td><td>-</td></tr> <tr><td>3 PLC</td><td>±</td><td>.005</td></tr> <tr><td>4 PLC</td><td>±</td><td>-</td></tr> <tr><td>ANGLES</td><td>±</td><td>-</td></tr> </table> |   | 0 PLC  | ±            | -       |                           | 1 PLC | ±         | -      | 2 PLC      | ±        | -             | 3 PLC | ± | .005 | 4 PLC | ± | - | ANGLES | ± | - | PRODUCT SPEC | NAME |  |
| 0 PLC   | ± | -      |              |         |                           |       |           |        |            |          |               |       |   |      |       |   |   |        |   |   |              |      |  |
| 1 PLC   | ± | -      |              |         |                           |       |           |        |            |          |               |       |   |      |       |   |   |        |   |   |              |      |  |
| 2 PLC   | ± | -      |              |         |                           |       |           |        |            |          |               |       |   |      |       |   |   |        |   |   |              |      |  |
| 3 PLC   | ± | .005   |              |         |                           |       |           |        |            |          |               |       |   |      |       |   |   |        |   |   |              |      |  |
| 4 PLC   | ± | -      |              |         |                           |       |           |        |            |          |               |       |   |      |       |   |   |        |   |   |              |      |  |
| ANGLES  | ± | -      |              |         |                           |       |           |        |            |          |               |       |   |      |       |   |   |        |   |   |              |      |  |
| MATERIAL SEE CALLOUTS   |   | FINISH | SEE CALLOUTS |         | SIZE                      | A2    | CAGE CODE | 00779  | DRAWING NO | C=594038 | RESTRICTED TO | -     |   |      |       |   |   |        |   |   |              |      |  |
| CUSTOMER DRAWING  |   | WEIGHT | 0.000000     |         | SCALE                     | 4:1   | SHEET     | 1 OF 1 | REV        | C        |               |       |   |      |       |   |   |        |   |   |              |      |  |

单击下面可查看定价，库存，交付和生命周期等信息

[>>TE Connectivity\(泰科\)](#)