

THIS DRAWING IS UNPUBLISHED. RELEASED FOR PUBLICATION
 © COPYRIGHT BY TYCO ELECTRONICS CORPORATION. ALL INTERNATIONAL RIGHTS RESERVED.

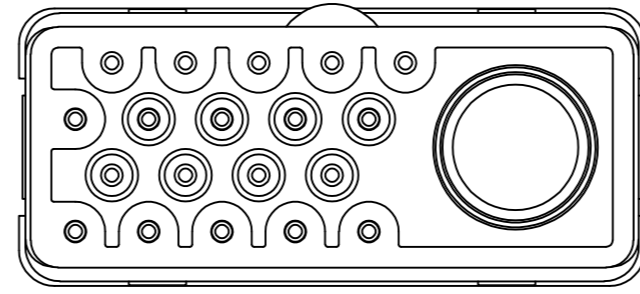
LOC	DIST	REVISIONS				
P	LTR	DESCRIPTION	DATE	DWN	APVD	
DF	00	0	CONVERTED RADIALL DWG TO TYCO ACAD DWG	11/03	—	—
		1	REVISED	22APR10	RF	JM

1 FRONT & REAR INSULATORS: THERMOSET EPOXY PER ASTM D5948
 CONTACT RETENTION CLIPS: COPPER ALLOY PER ASTM B194
 REAR GROMMET & INTERFACIAL SEAL: FLUOROSILICONE ELASTOMER PER MIL-R-25988 B, EXCEPT 4.6.6.1

2 DATE CODE: YEAR & WEEK (YY WW)

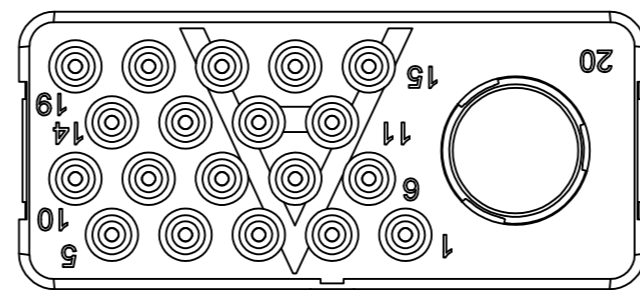
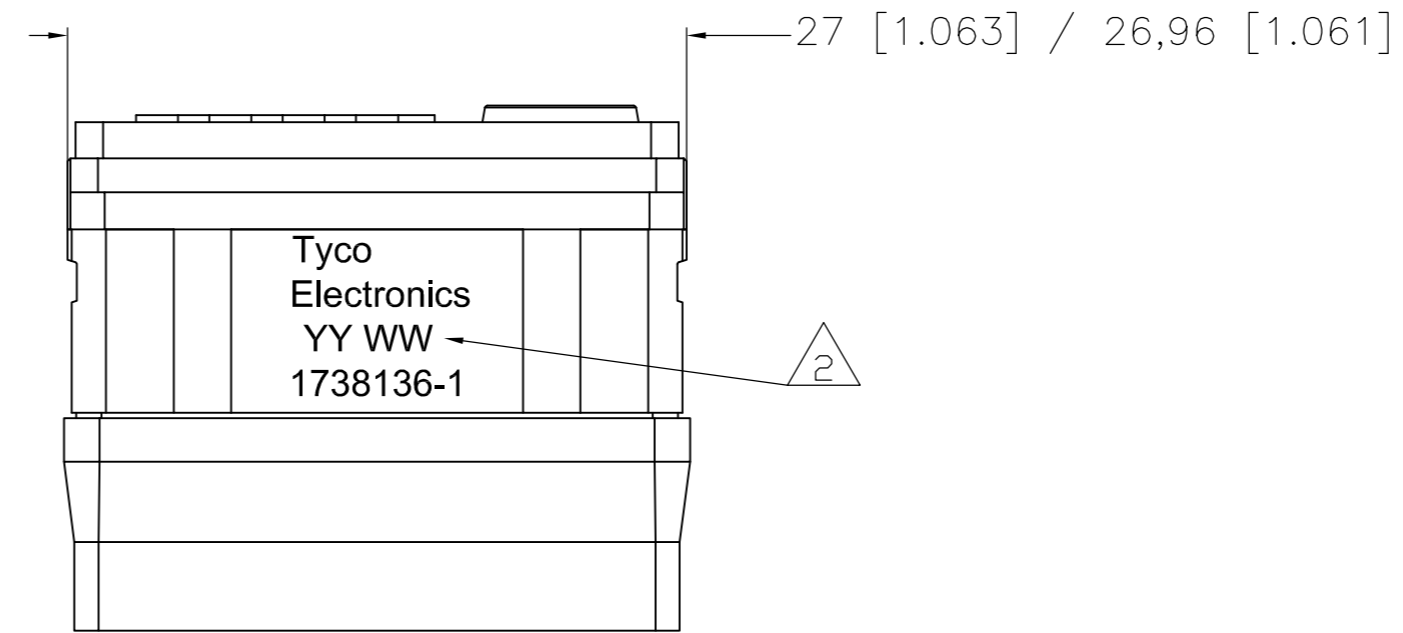
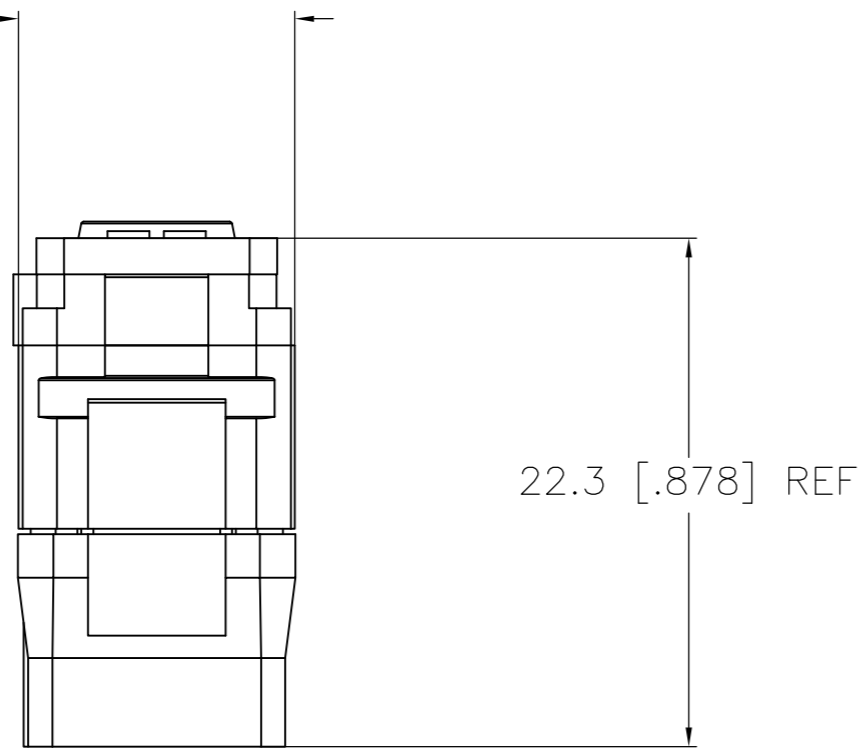
3. DESCRIPTIVE PART NUMBER: GPRBE20C1PA
 THIS INSERT CONTAINS:
 19 CAVITIES FOR SIZE 20 PIN CONTACTS
 1 CAVITY FOR SIZE 5 PIN CONTACTS

4. THIS PRODUCT IS SOLD BY TYCO ELECTRONICS
 UNDER A LICENSE FROM RADIALL SA.



MATING FACE

12.05 [.474] / 12.01 [.473]



THIS PRINT IS
PRELIMINARY
 UNQUALIFIED PRODUCT
 CONTACT PRODUCT ENGINEERING
 BEFORE USING THIS PRINT

1738136-1
 PART NUMBER

THIS DRAWING IS A CONTROLLED DOCUMENT.		DWN	NOV03	Tyco Electronics Corporation	
DIMENSIONS: mm [INCHES]		CHK	NOV03	Harrisburg, PA 17105-3608	
TOLERANCES UNLESS OTHERWISE SPECIFIED:		APVD	NOV03	NAME	
0 PLC ± -		PRODUCT SPEC		GPR-B PIN INSERT	
1 PLC ± -		APPLICATION SPEC		CLASS E	
2 PLC ± 0.05 [.002]		WEIGHT		CONTACT ARRANGEMENT 20C1 KEY A	
3 PLC ± -		CUSTOMER DRAWING		SIZE	RESTRICTED TO
4 PLC ± -				A2	—
ANGLES ± -				CAGE CODE	DRAWING NO
FINISH				00779	C=1738136
MATERIAL				SCALE	SHEET
-				1:1	1 of 1
1				REV	1

单击下面可查看定价，库存，交付和生命周期等信息

[>>TE Connectivity\(泰科\)](#)