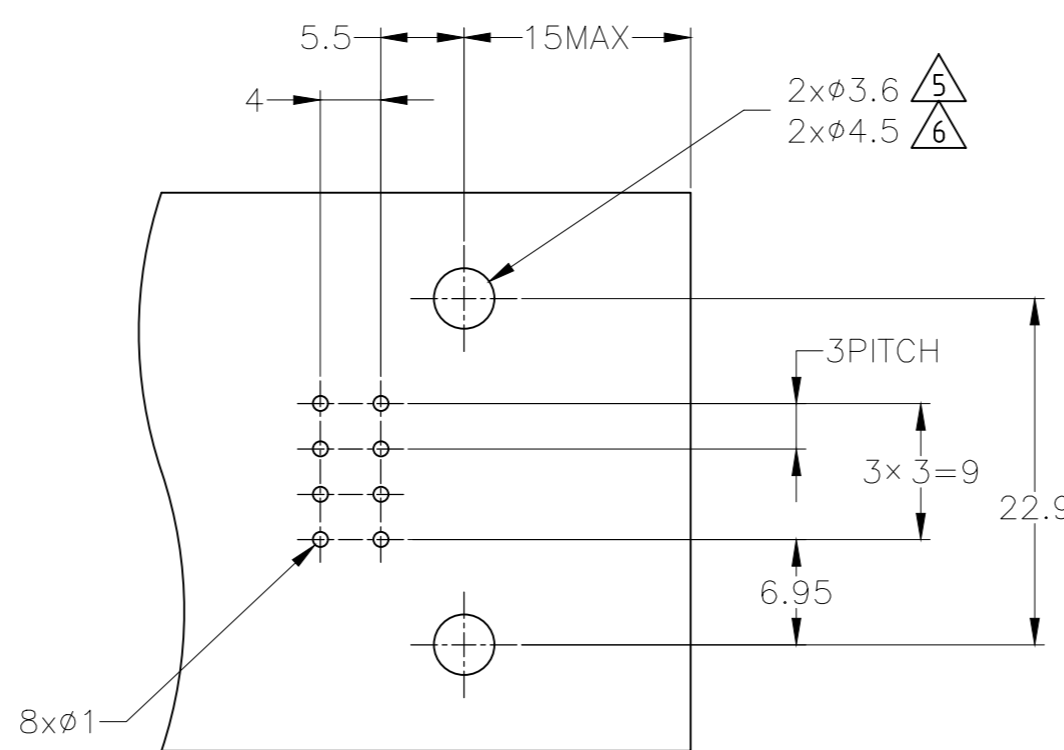
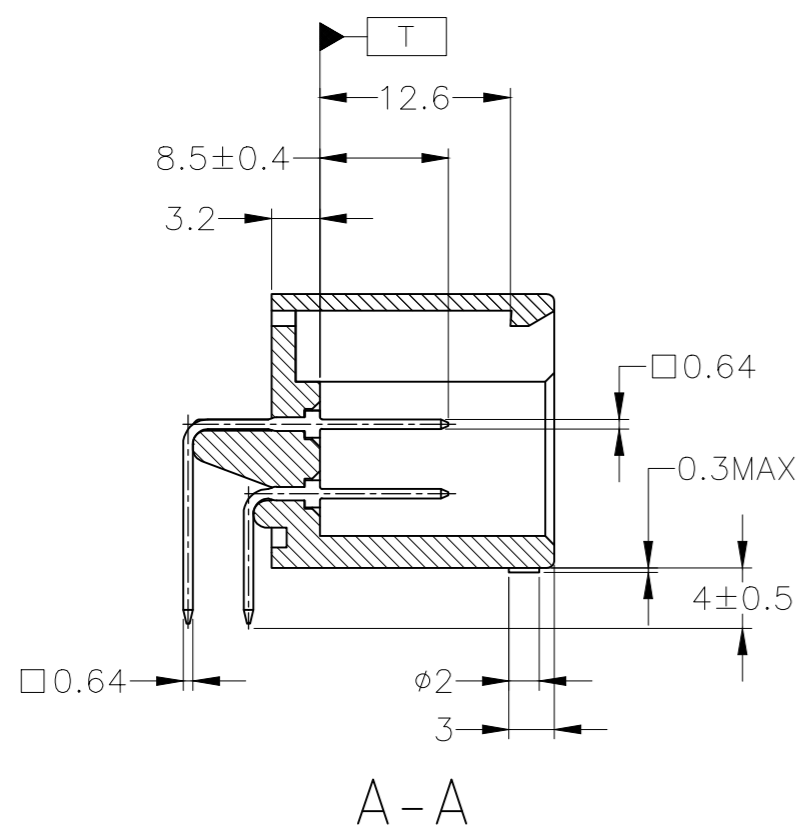
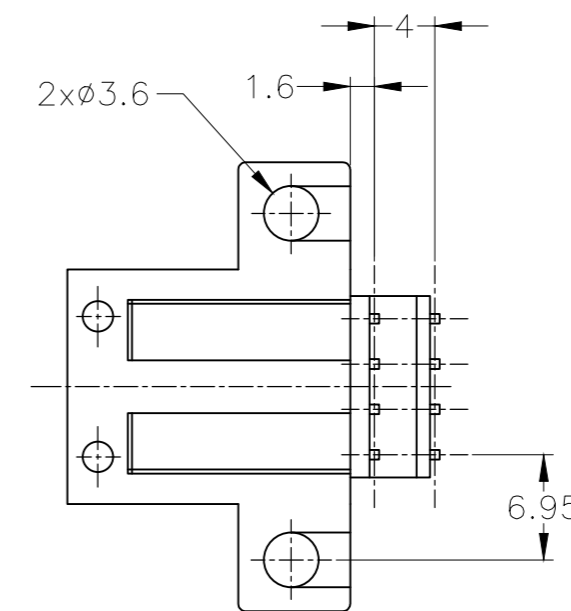
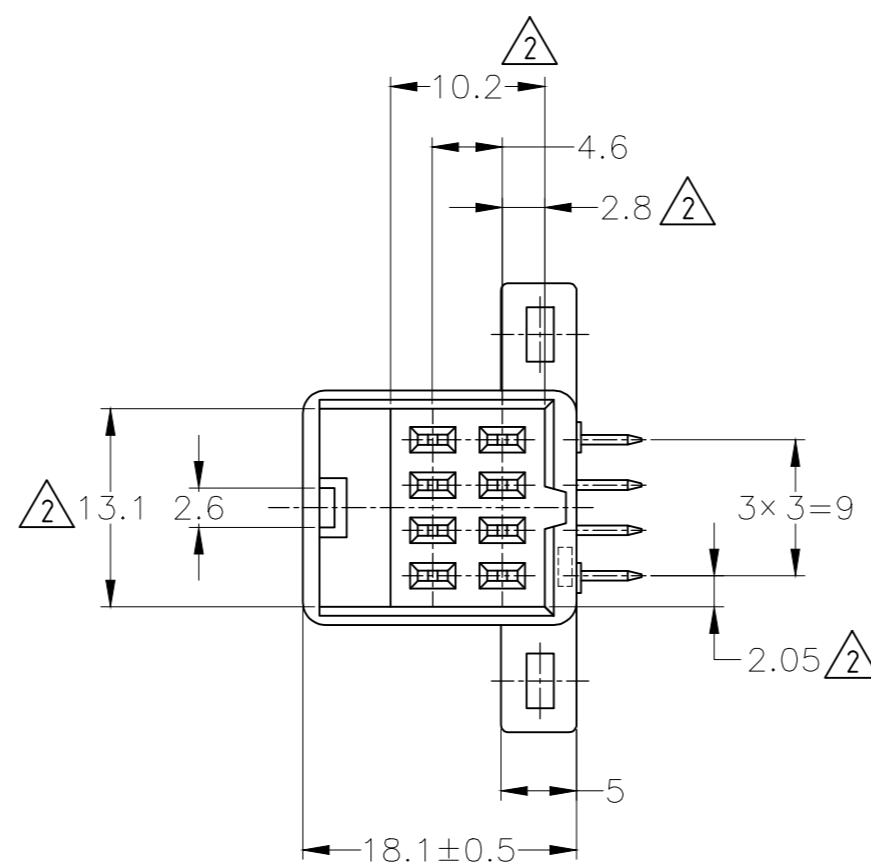
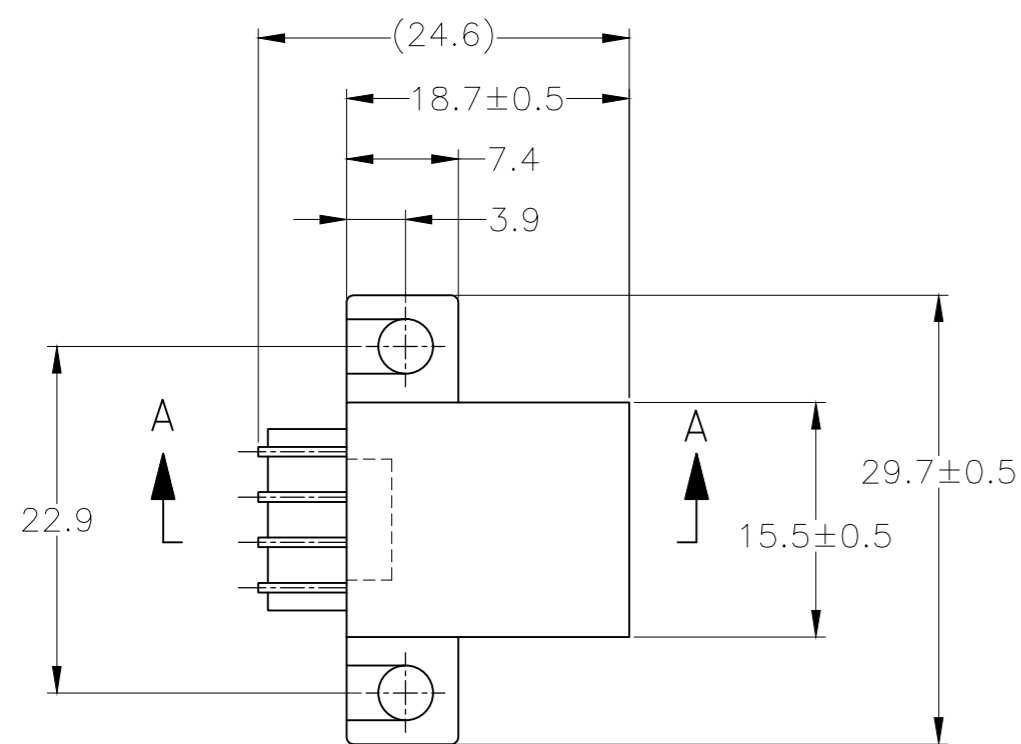


THIS DRAWING IS UNPUBLISHED. RELEASED FOR PUBLICATION  
 © COPYRIGHT 2016 Tyco Electronics Japan G.K. ALL RIGHTS RESERVED.

| REVISIONS |     |             |               |           |       |
|-----------|-----|-------------|---------------|-----------|-------|
| P         | LTR | DESCRIPTION | DATE          | DWN       | APVD  |
|           | D4  | REVISED     | ECR-18-001803 | 15FEB2018 | TS SA |



プリント基板取付穴寸法 ; 公差±0.1  
 (MOUNTING DIMENSIONS FOR P.C.B. ; TOLERANCE ±0.1)

1. プリント基板にポストの変形なく挿入可能なこと。
  2.  $\square T$  面より2mmの範囲で測定
  3. 嵌合する相手ハウジング型番 172246, 172856
  4. 適用製品規格 ; 108-5124
  5. プリント基板の取付は呼び径3のねじを使用する。
  6. タッピンねじでプリント基板に固定する場合は、JIS B1115,B1122  
 タッピンねじ なるべく種又は4種 呼び径4の長さ8mm以上による。
1. MUST BE INSERTED TO P.C.B. WITHOUT POST DEFORMATION.
  2.  $\square T$  MUST BE KEPT BETWEEN  $\square T$  AND 2.
  3. MATING PLUG HOUSING ; 172246,172856
  4. PRODUCT SPECIFICATION ; 108-5124
  5. RECOMMENDED MOUNTING SCREW ; DIAMETER 3.
  6. RECOMMENDED MOUNTING SCREW ; JIS B1115 OR B1122  
 PAN HEAD TAPPING SCREW, CLASS 1 OR 4, DIAMETER 4, LENGTH 8.

|                           | SELECTIVE-TIN (MATTE)   | SELECTIVE GOLD         | BLACK      | 5172244-3           |
|---------------------------|-------------------------|------------------------|------------|---------------------|
| OBSOLETE                  | TIN-LEAD                | SELECTIVE GOLD         | BLACK      | 172244-3            |
|                           | SELECTIVE-TIN           | PRE-TIN                | BLACK      | 172244-2            |
|                           | SELECTIVE-TIN (MATTE)   | SELECTIVE-TIN (BRIGHT) | BLACK      | 172244-1            |
|                           | SOLDERING SIDE<br>半田付け部 | CONTACT SIDE<br>接触部側   | COLOR<br>色 | PART NUMBER<br>製品型番 |
| CONTACT FINISH<br>コンタクト仕上 |                         |                        |            |                     |

|  |  |                                    |  |                    |
|--|--|------------------------------------|--|--------------------|
| THIS DRAWING IS A CONTROLLED DOCUMENT.   |  | DWN<br>T.SHINOHARA<br>10FEB06      |  |                    |
| DIMENSIONS: 単位: 純 mm   |  | CHK<br>K.BETSUI<br>10FEB06         |  |                    |
| TOLERANCES UNLESS OTHERWISE SPECIFIED: 一般公差  |  | APVD<br>K.BETSUI<br>10FEB06        | NAME<br>名称   |                    |
| 0 PLC ±<br>1 PLC ±<br>2 PLC ±<br>3 PLC ±<br>4 PLC ±<br>ANGLES ±                                    |  | PRODUCT SPEC<br>製品規格<br>SEE NOTE 4 | 8POSITION CAP HOUSING ASSEMBLY (H-TYPE)<br>DUAL LINE INTERLOCK CONNECTOR |                    |
| MATERIAL<br>材料<br>HOUSING: 66NYLON<br>POST: COPPER ALLOY   |  | APPLICATION SPEC<br>取付適用規格         | SIZE<br>A2   | CAGE CODE<br>00779 |
| FINISH<br>仕上<br>SEE TABLE  |  | WEIGHT<br>6.5 g                    | DRAWING NO.<br>番号<br>C=172244  | RESTRICTED TO<br>— |
| 一般公差 (GENERAL TOLERANCE)<br>10以下 : ±0.2<br>10% 超え 30以下 : ±0.25<br>30% 超え 100以下 : ±0.3<br>角 度 : ±3° |  | CUSTOMER DRAWING                   |  |                    |
|  |  | SCALE<br>尺度 2:1                    | SHEET<br>1 of 1  | REV<br>D4          |

单击下面可查看定价，库存，交付和生命周期等信息

[>>TE Connectivity\(泰科\)](#)