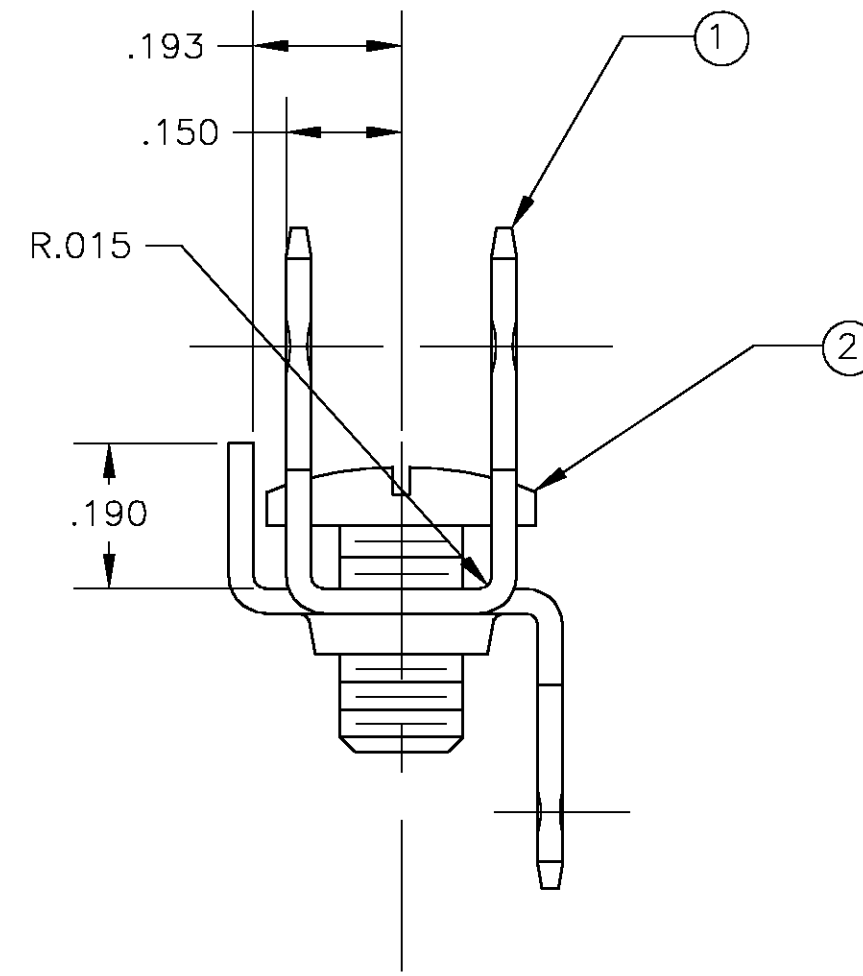
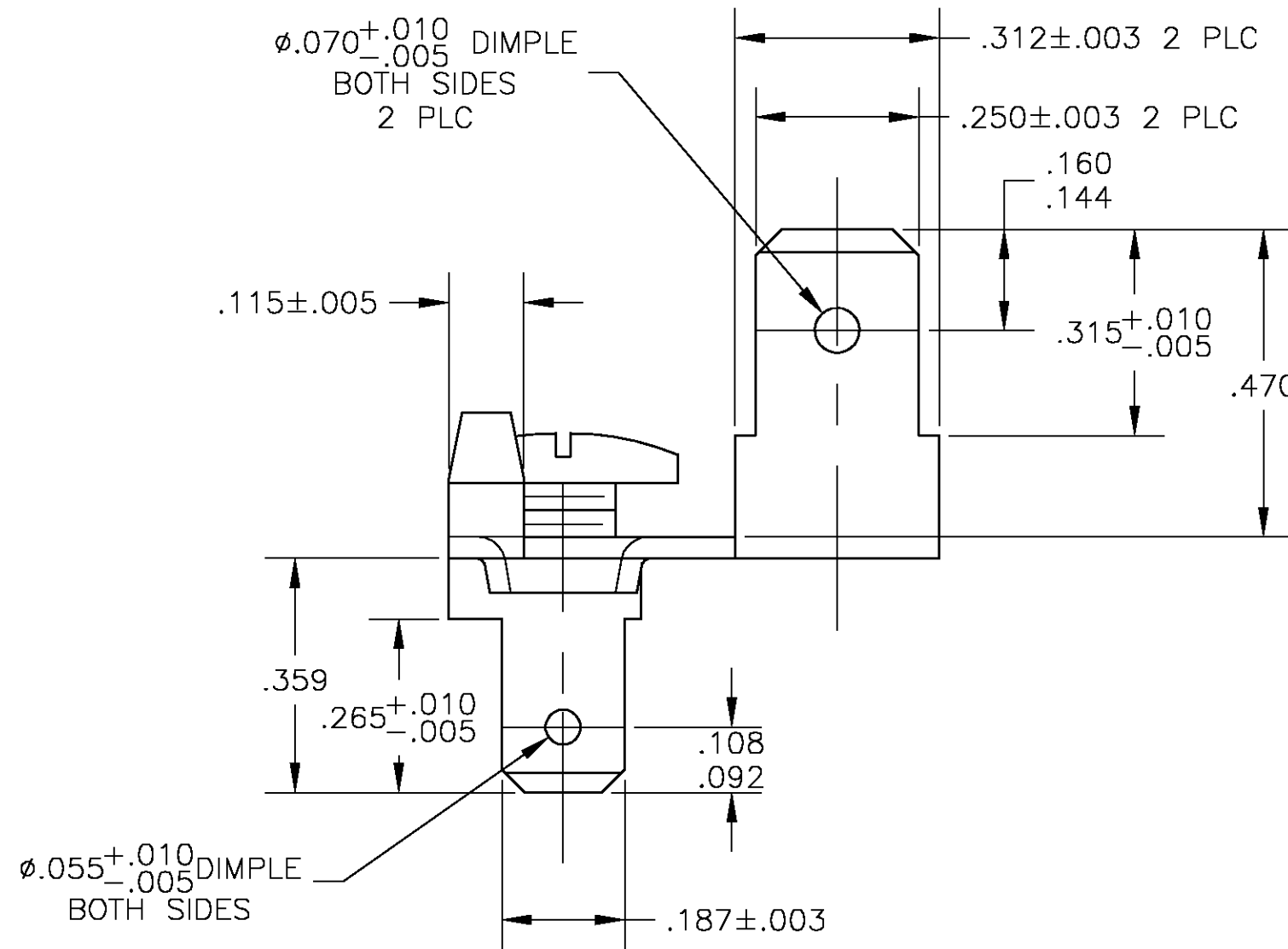
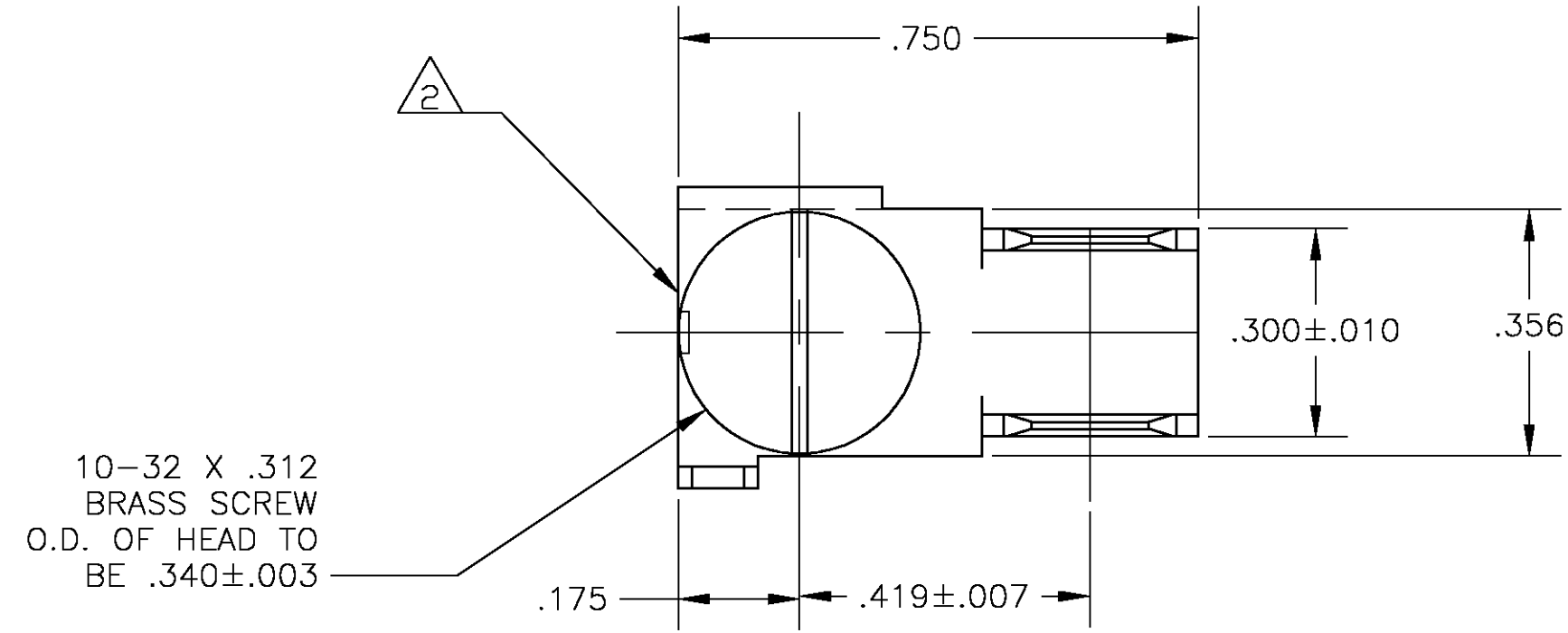


THIS DRAWING IS UNPUBLISHED. RELEASED FOR PUBLICATION
 © COPYRIGHT BY TYCO ELECTRONICS CORPORATION. ALL RIGHTS RESERVED.

LOC	DIST	REVISIONS			
P	LTR	DESCRIPTION	DATE	DWN	APVD
AF	14				
	C1	REV PER ECR 05-002915	25MAY05	JR	KR



- 1 MATERIAL: .032±.001 THK BRASS, 100-86, HEAT TREAT 0.082
- 2 .010 MAX CUT-OFF ALLOWED
- 3 ASSEMBLY SCREW AND TORQUE 2-8 LB-IN
- 4 THREADS DEFORMED SO AS NOT TO ALLOW REMOVAL OF THE SCREW.
- 5 PART TO BE CLEAN AND OIL FREE
- 6 MATERIAL: BINDING HEAD .340 DIA, #10-32 .312 LONG. BRASS SCREW (ELECTRICAL TAPE)
- 7 MATERIAL: BINDING HEAD .340 DIA, #10-32 .312 LONG. BRASS SCREW (ELECTRICAL TAPE) BRIGHT NICKEL FINISH

1	7	-	1	1	T20737542	FASTON TAB ASSEMBLY NICKEL PLATED BRASS SCREW	157727-2
-	1	6	1	1	T20737542	FASTON TAB ASSEMBLY BRASS SCREW	157727-1
SCREW 157423-2	e	SCREW 157423-1	e	FASTON TAB 157728-1	1	EMERSON P/N	DESCRIPTION
							PART NO.

THIS DRAWING IS A CONTROLLED DOCUMENT.

DWN	JR RUTH	25MAY05	 Tyco Electronics Corporation Harrisburg, Pa 17105-3608			
CHK	K RANDOLPH	26MAY05				
APVD	K RANDOLPH	26MAY05				
NAME	ASSEMBLY, TAB, FASTON, .250 AND 187 SERIES					
DIMENSIONS: INCHES	TOLERANCES UNLESS OTHERWISE SPECIFIED:	PRODUCT SPEC	SIZE	CAGE CODE	DRAWING NO	RESTRICTED TO
0 PLC ± -	1 PLC ± -	2 PLC ± -	A2	00779	C=157727	-
3 PLC ± .005	4 PLC ± -	ANGLES ± 1°	WEIGHT	SCALE	SHEET	OF
MATERIAL	FINISH	CUSTOMER DRAWING	-	4:1	1	1
					REV	C1

单击下面可查看定价，库存，交付和生命周期等信息

[>>TE Connectivity\(泰科\)](#)