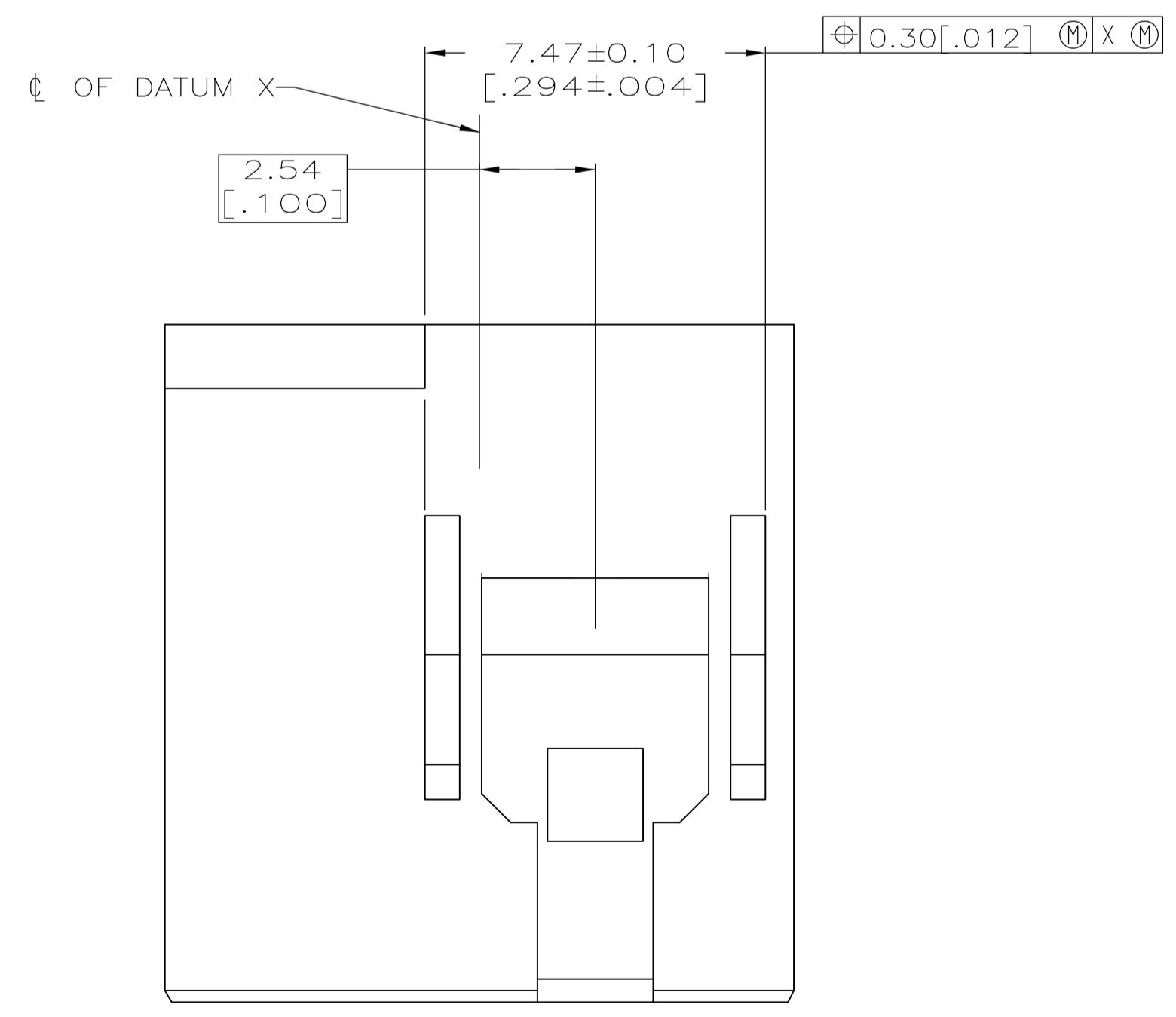
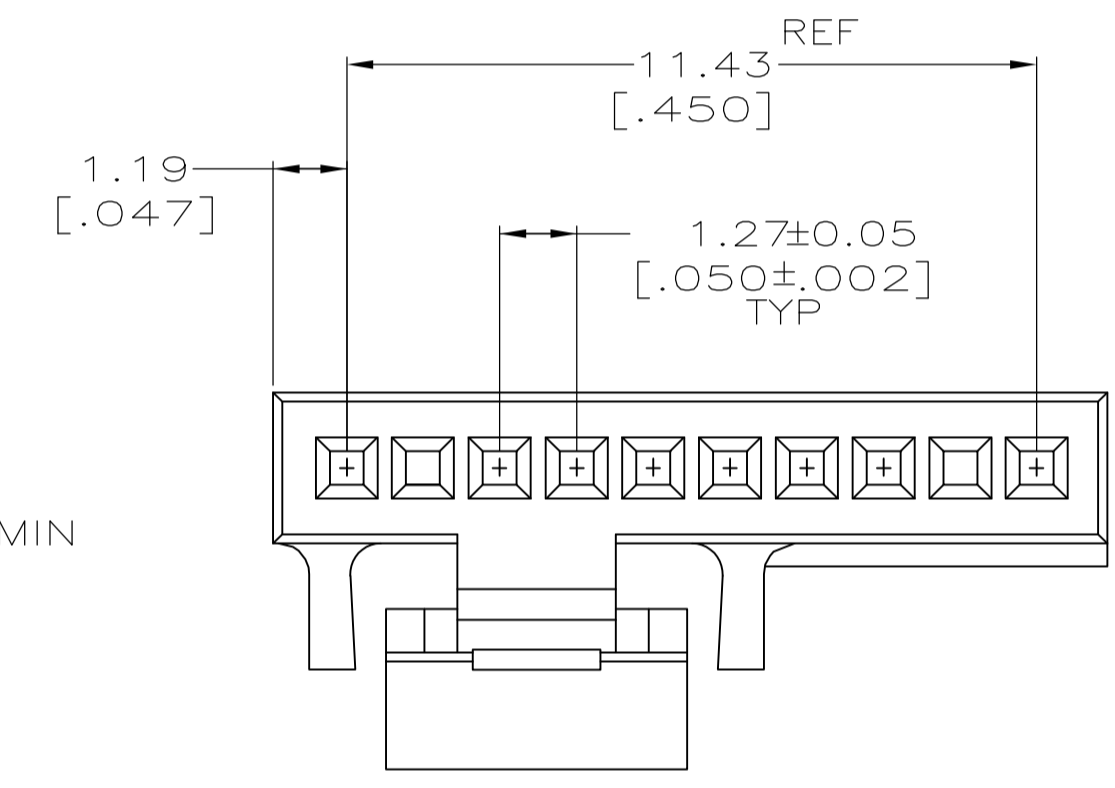
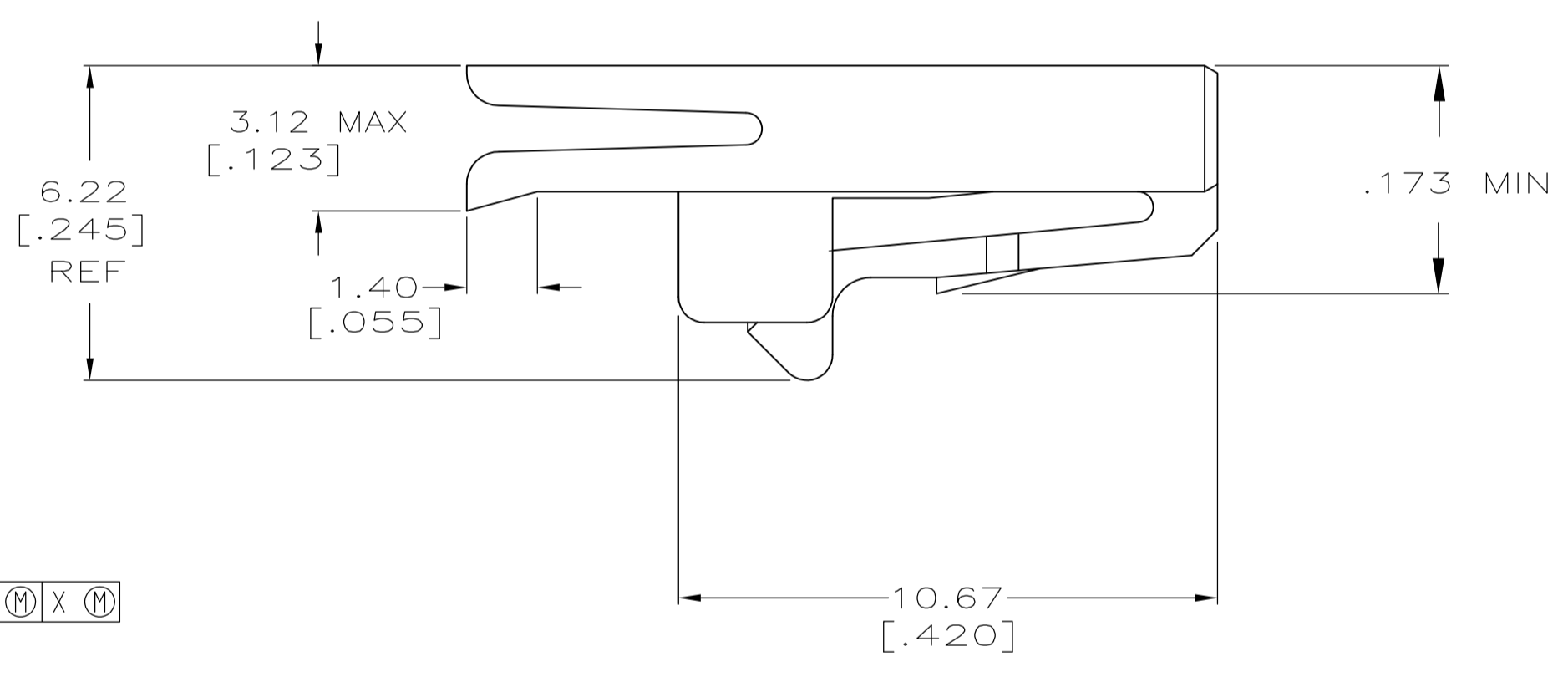
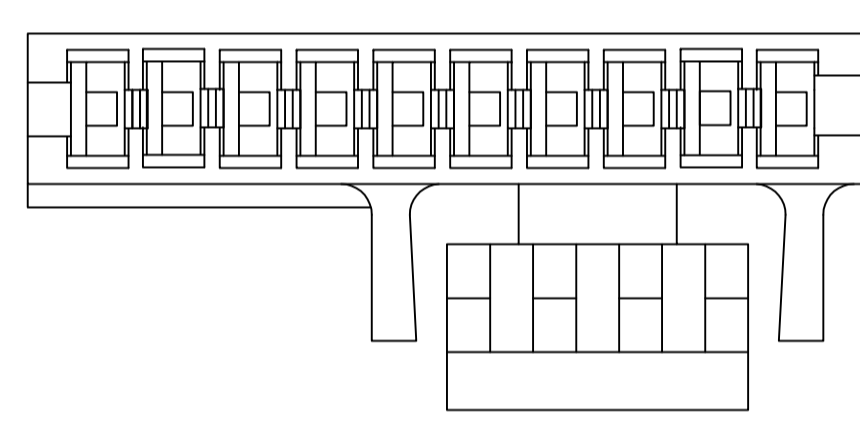


1 WINDOWS MAY OR MAY NOT BE PRESENT ON THIS SIDE OF THE HOUSING.



10	487973-1
NO OF POSN	PART NUMBER

THIS DRAWING IS A CONTROLLED DOCUMENT.		DWG: C. OBERMAN 05/25/93	TE Connectivity	
DIMENSIONS: mm [INCHES]		CHK: R. STONE 5-25-93	NAME: HOUSING, RECEPTACLE, LATCH OFFSET, .050 C/L, FFC	
TOLERANCES UNLESS OTHERWISE SPECIFIED:		APVD: -	PRODUCT SPEC: 108-16022	
0. PLC ± -		APPLICATION SPEC: 114-16008		
1. PLC ± -		SIZE: A1		
2. PLC ± 0.13 [.005]		CAGE CODE: 00779		
3. PLC ± -		DRAWING NO: 487973		
4. PLC ± -		WEIGHT: -		
ANGLES ± -		CUSTOMER DRAWING		
MATERIAL: POLYESTER, BLACK		SCALE: 8:1		
FINISH: -		SHEET: 1 OF 1		
		REV: H		

单击下面可查看定价，库存，交付和生命周期等信息

[>>TE Connectivity\(泰科\)](#)