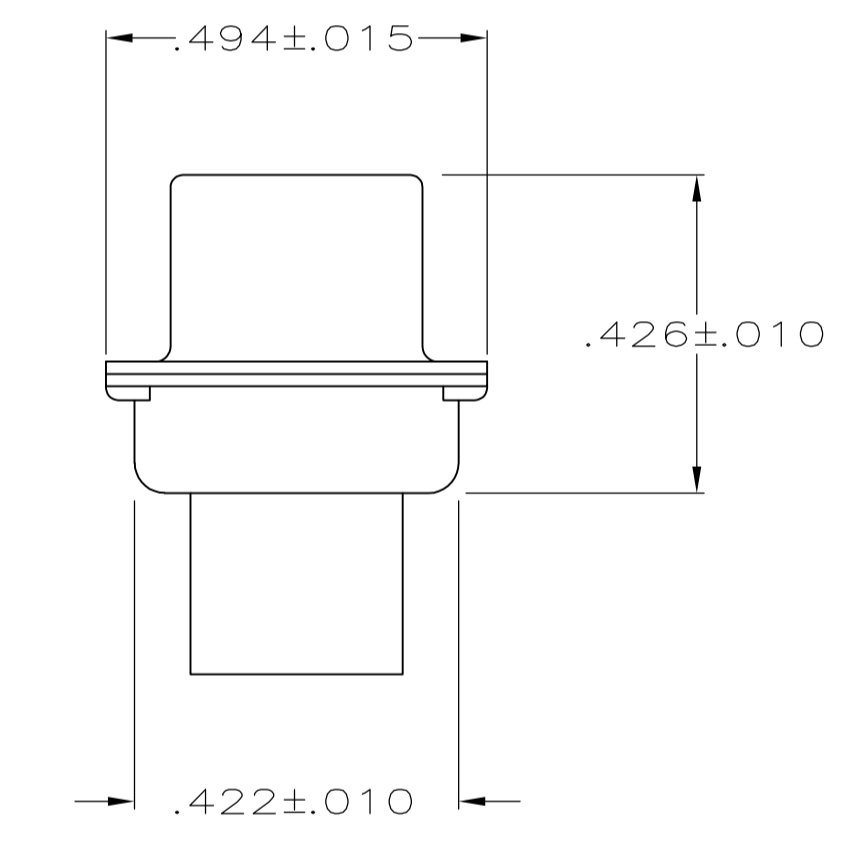
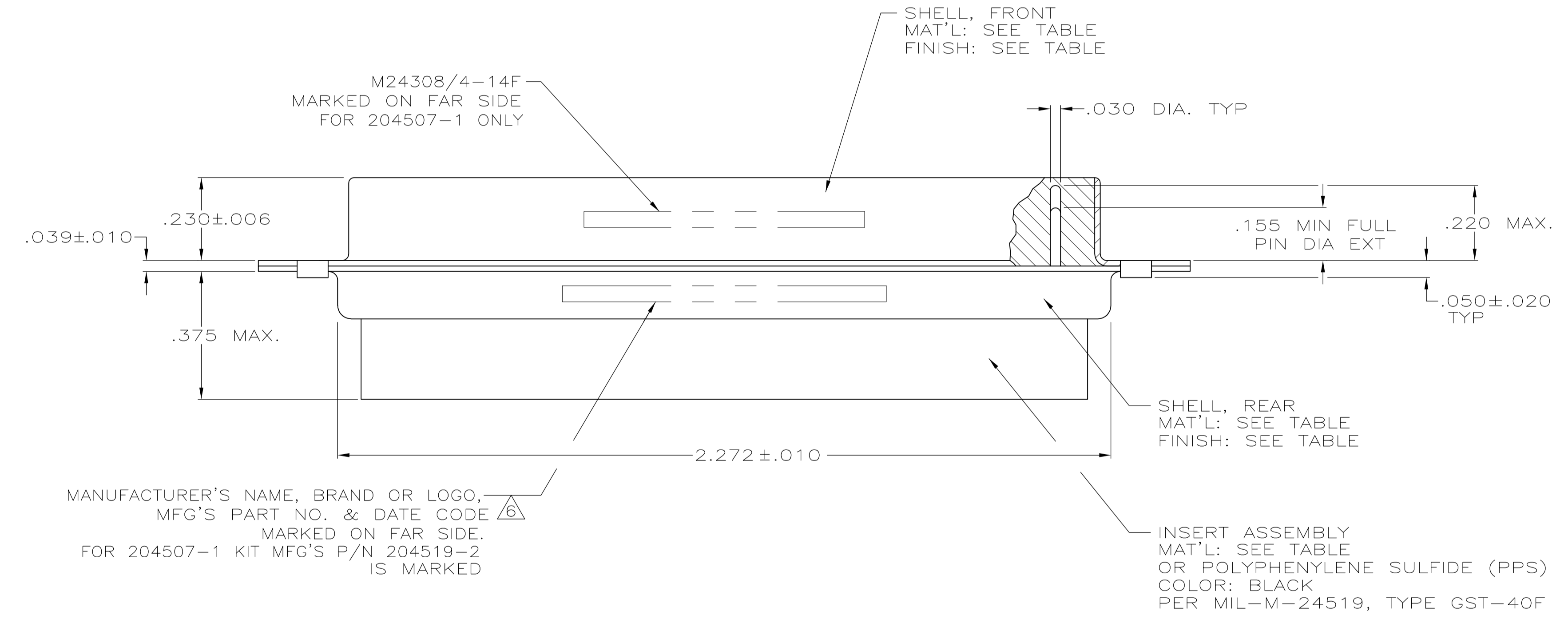
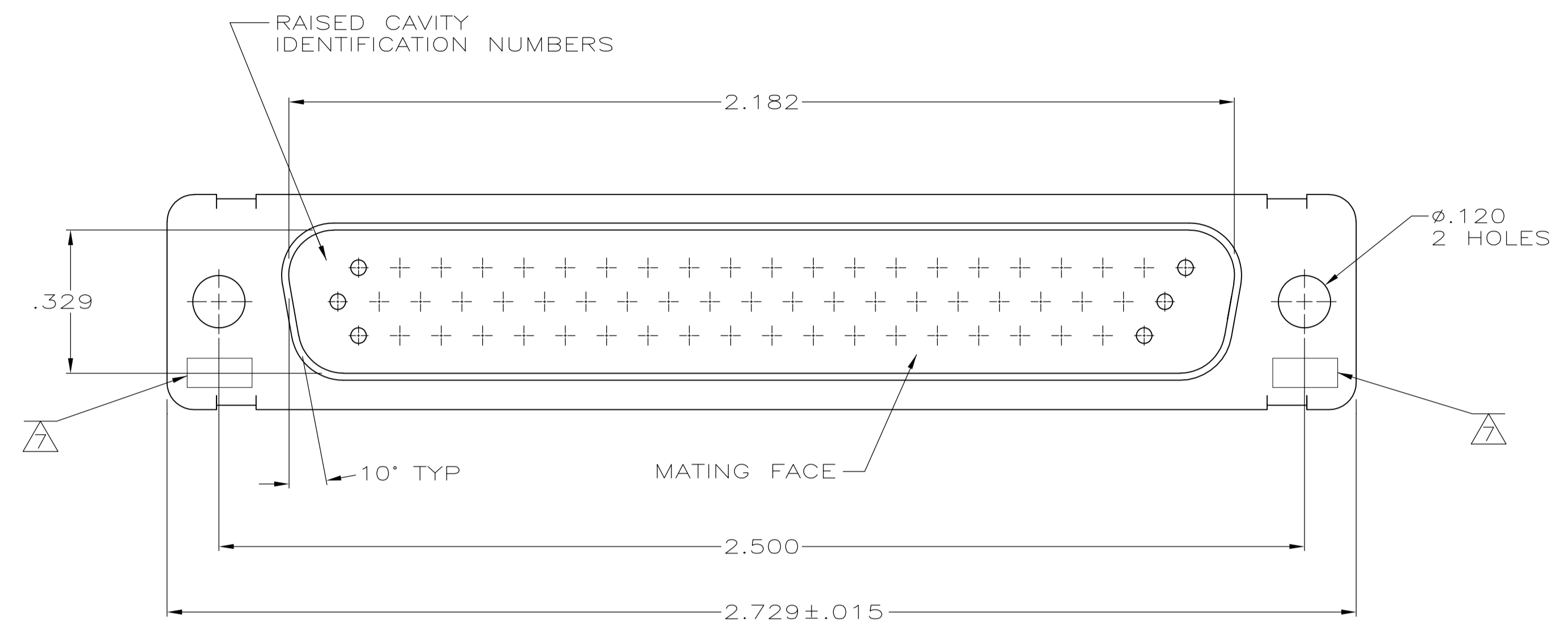


LOC		DIST		REVISIONS			
P	LTR	DATE	DESCRIPTION	DATE	DNW	APVD	
W		09NOV15	REVISED PER ECO-15-016062		KG	CD	

- THIS PLUG IS DESIGNED TO CONFORM TO THE LATEST ISSUE OF MIL-C-24308.
- MAX WIRE INSUL. TO BE USED WITH THIS PLUG IS .054 DIA.
- METAL RETENTION CLIPS ARE INCLUDED IN INSERTS.
- PACKAGE STAMPED M 24308/4-267F.
- THIS PLUG WILL ACCEPT SIZE 22 PIN CONTACT M 39029/58-360 OR ANY TYCO HDD-22 PIN CONTACT
- MFG'S PART NO. STAMPED ON CONNECTOR REPRESENTS KIT NUMBER WITH CONTACTS FOR 204507-1 ONLY.
- UL/CSA DESIGNATION STAMPED IN THIS AREA, OPTIONAL.
- P/N'S 204507-4, -5, & 5--4 HAVE GROUNDING INDENTS ON FRONT SHELL, NOT SHOWN ON DRAWING.
- FINISH: BRIGHT TIN PER ASTM-B-545 .000400-.000550 THK OVER COPPER PER AMS2418, .000050 MIN THK.



8	BRIGHT TIN PER ASTM-B-545	STEEL, CLASS G	GST-40F PER MIL-M-24519	5-204507-4
9		STEEL, CLASS G	GST-40F PER MIL-M-24519	204507-6
8		STEEL, CLASS G	GST-40F PER MIL-M-24519	204507-5
8	BRIGHT TIN PER ASTM-B-545	STEEL, CLASS G	GST-40F PER MIL-M-24519	204507-4
SUPSD BY 204507-1	CADMIUM PER QQ-P-416	STEEL, CLASS G	GST-40F PER MIL-M-24519	204507-3
SUPSD BY 206502-4	CADMIUM PER QQ-P-416	BRASS	GST-40F PER MIL-M-24519	204507-2
	CADMIUM PER QQ-P-416	STEEL, CLASS G	GST-40F PER MIL-M-24519	204507-1
	SHELL FINISH	SHELL MAT'L	INSERT MAT'L	PART NO.

THIS DRAWING IS A CONTROLLED DOCUMENT. DIMENSIONS: INCHES. TOLERANCES UNLESS OTHERWISE SPECIFIED: 0 PLC ± .005, 1 PLC ± .005, 2 PLC ± .005, 3 PLC ± .005, 4 PLC ± .005, ANGLES ± 0°30'.

APPROVED: F.C. BALLEW, 25JAN88. NAME: AMPLIMITE PLUG FOR PIN CONTACTS HI-DENSITY D CONNECTOR SIZE 4 (62 POSN) SERIES 90. SIZE: A1.00779. DRAWING NO: 204507. WEIGHT: -. CUSTOMER DRAWING. SCALE: 4:1. SHEET: 1 OF 1. REV: W.

STE TE Connectivity

单击下面可查看定价，库存，交付和生命周期等信息

[>>TE Connectivity\(泰科\)](#)