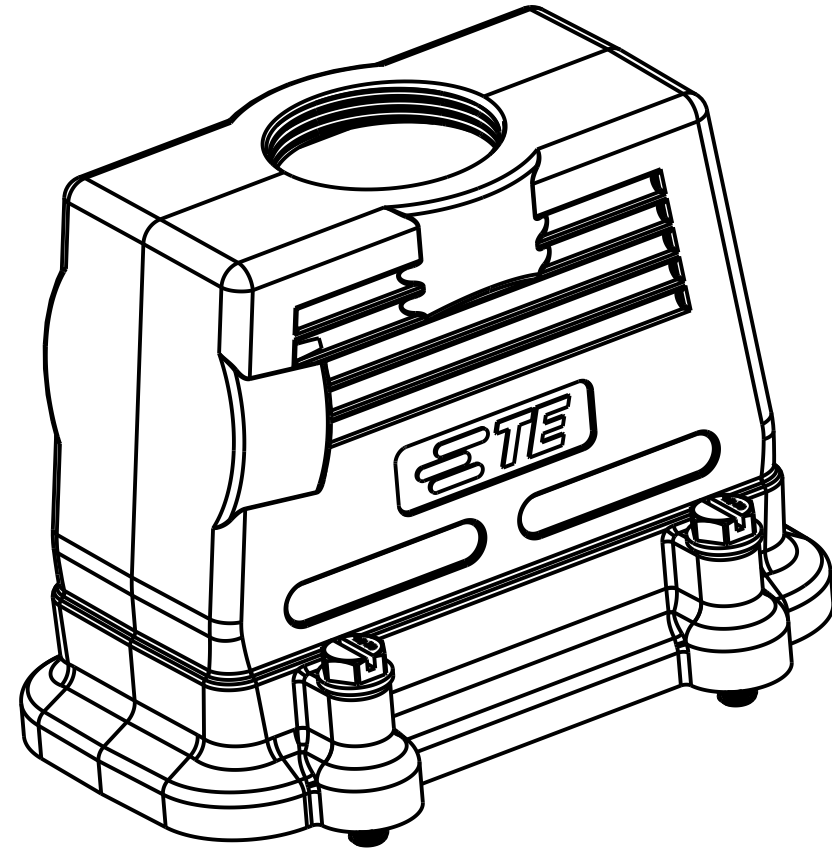
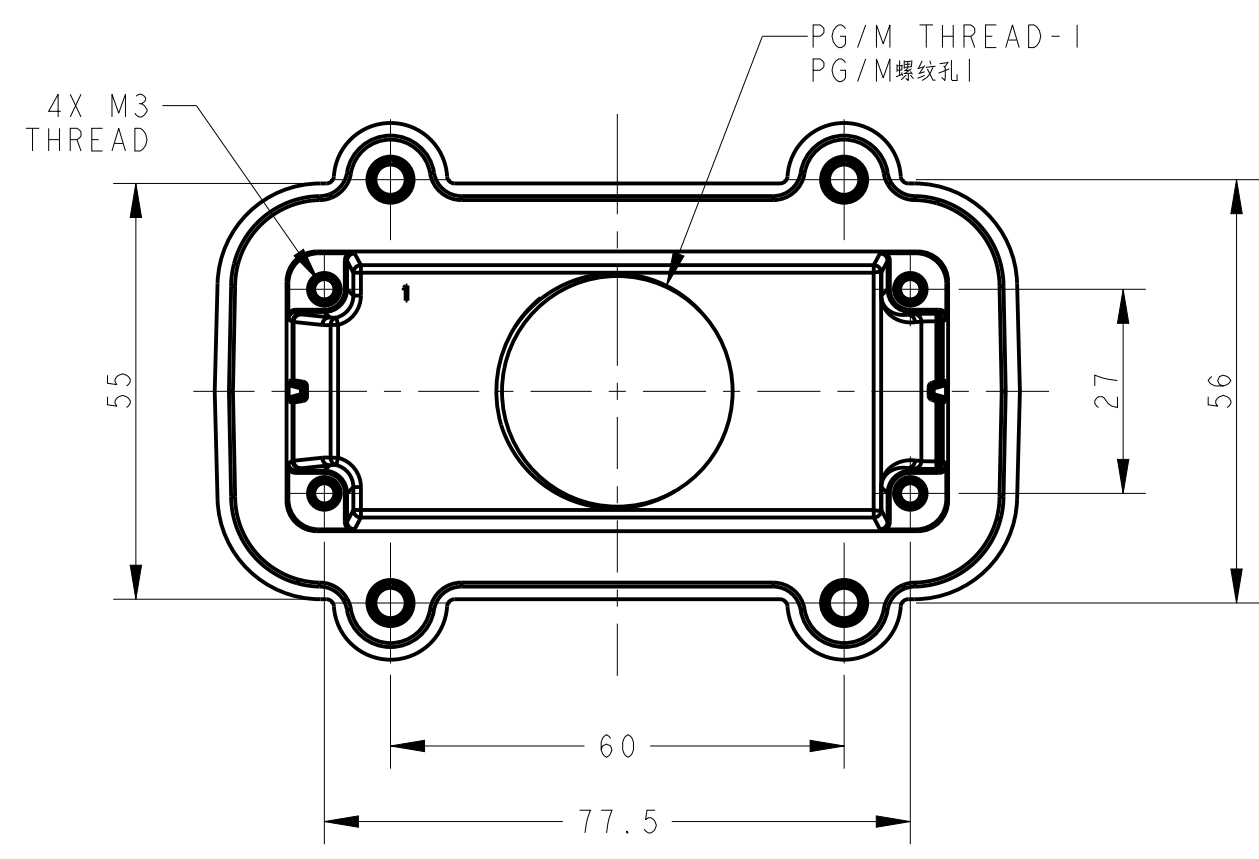
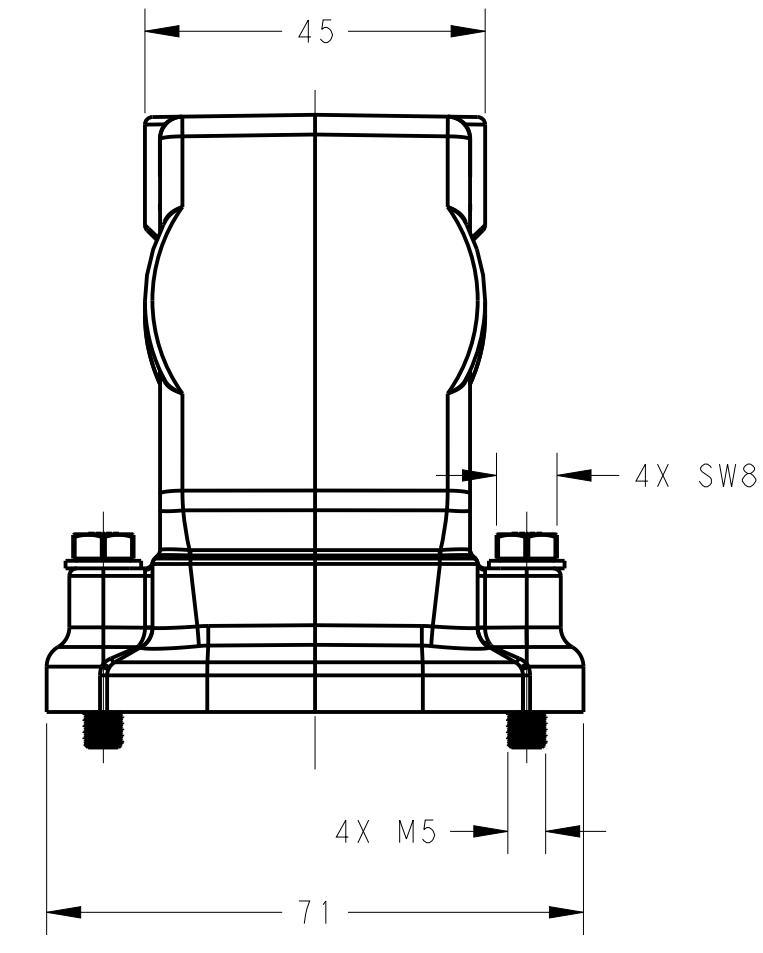
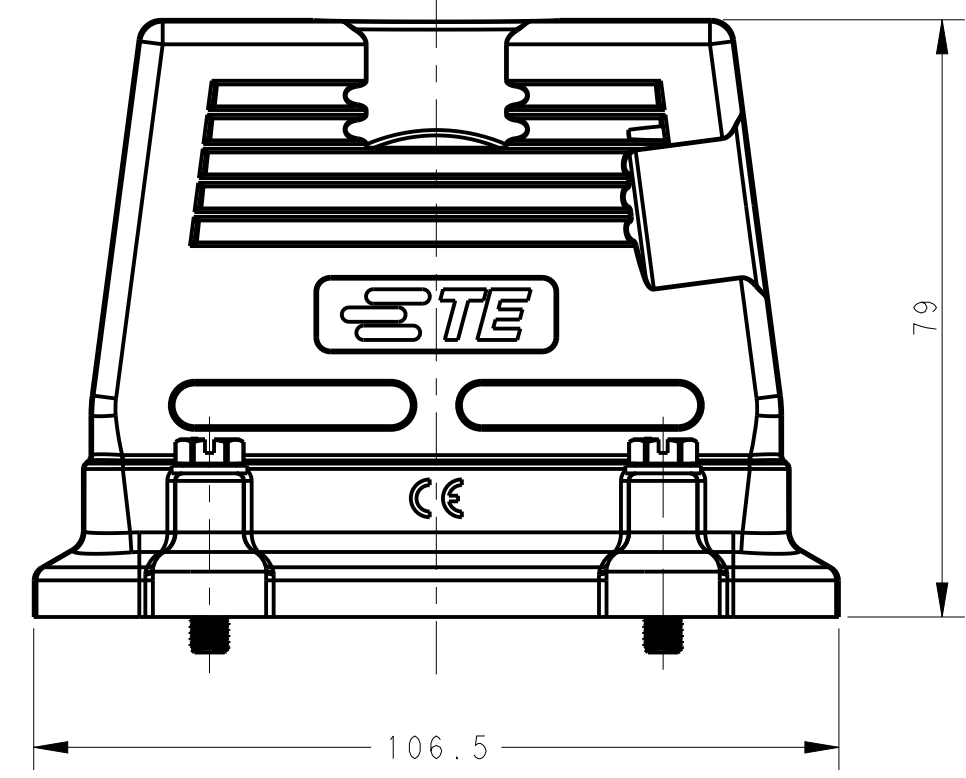


THIS DRAWING IS UNPUBLISHED. RELEASED FOR PUBLICATION 20  
 © COPYRIGHT 20 BY - ALL RIGHTS RESERVED.

REVISIONS				
P	LTR	DESCRIPTION	DATE	APVD
A		INITIAL RELEASE	07NOV2016	DW CW
B		ECR-20-008190, ADD CE MARK	30JUL2020	WOR CW



TYPE 1



TYPE 1: H16B HOOD, TOP ENTRY, HIGH CONSTRUCTION  
 SCREW CONNECTION, POWDER COATED, GREY  
 类型 1: H16B 上壳, 顶出, 高结构, 螺丝连接, 灰色粉末喷涂

NOTES:

- 1. TECHNICAL CHARACTERISTICS:  
 HOOD MATERIAL: DIE CAST ALUMINIUM ALLOY  
 SURFACE: POWDER COATED, GREY  
 DEGREE OF PROTECTION: IP67 (MATED)

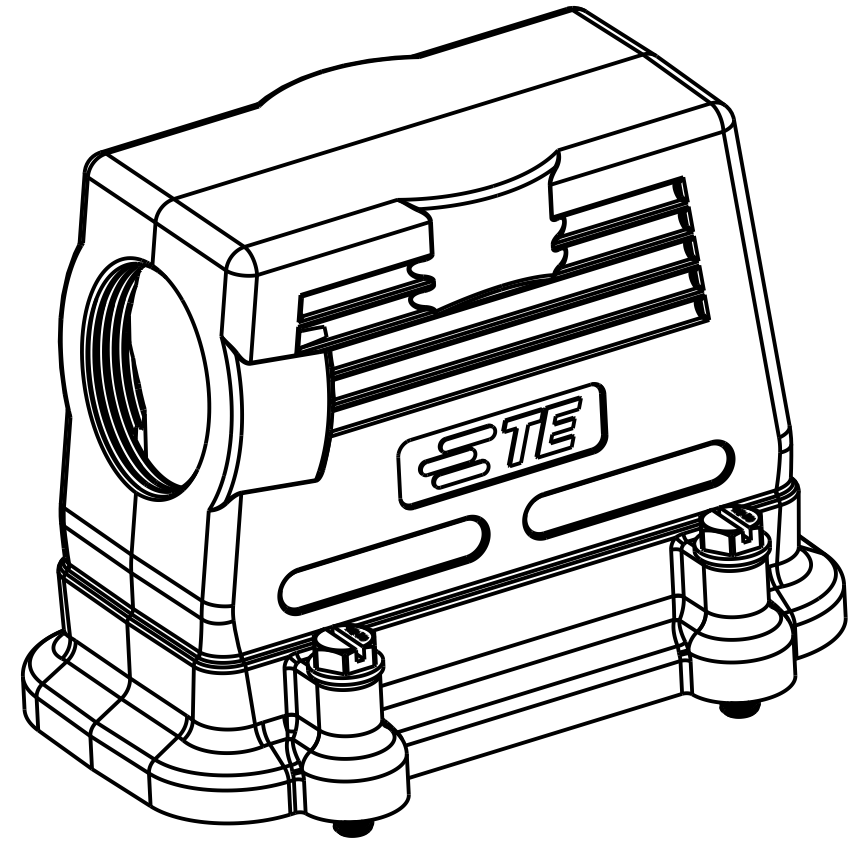
注释:

- 1. 技术参数:  
 上壳材料: 铝合金  
 表面处理: 灰色粉末喷涂  
 防护等级: IP67 (配合)

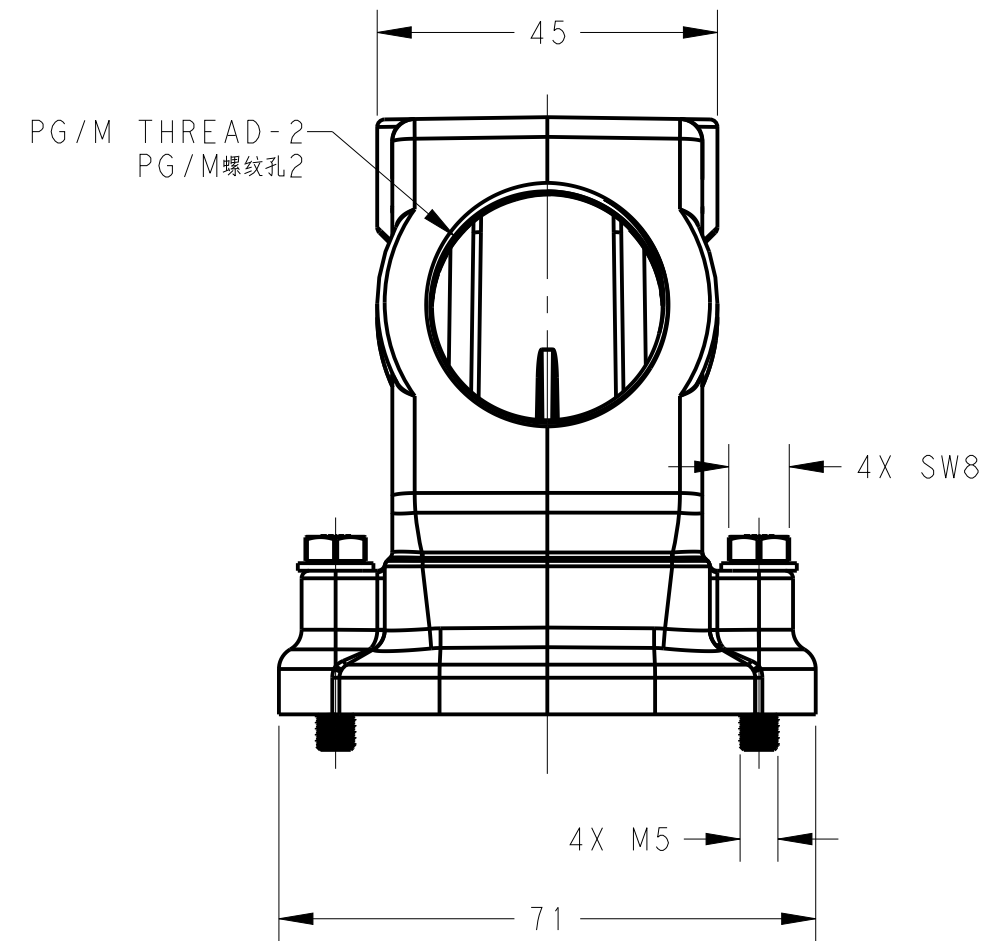
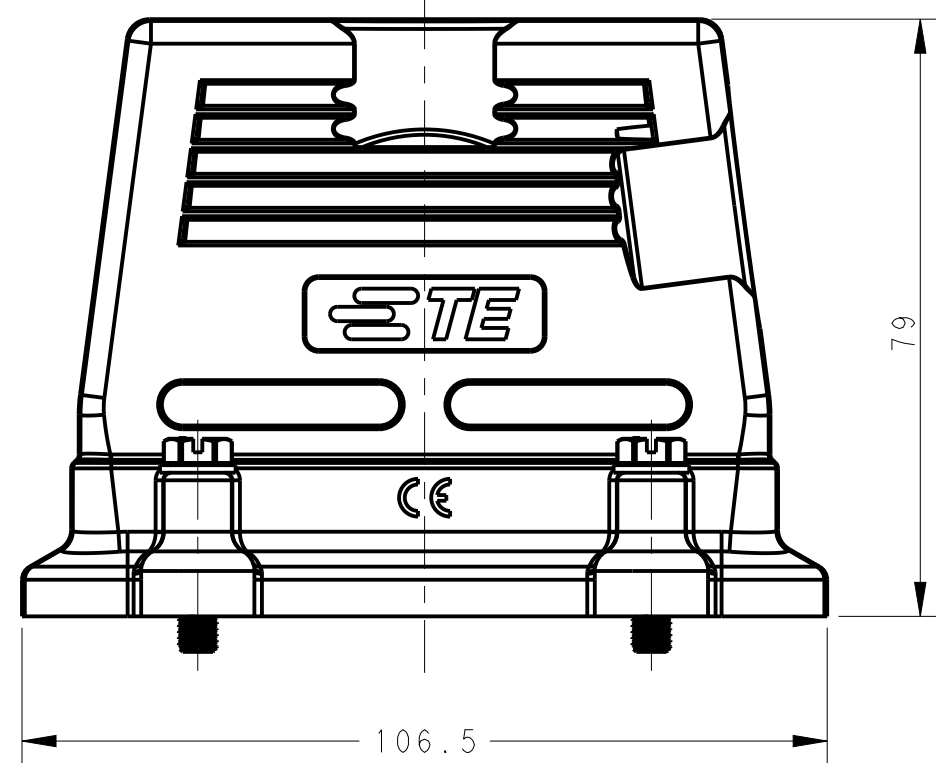
THIS DRAWING IS A CONTROLLED DOCUMENT.		DWN 07NOV2016 DAVID WANG	TE Connectivity	
		CHK 07NOV2016 CHRIS WANG		
DIMENSIONS:		APVD 07NOV2016 XIANG XU	NAME H16B-TSH/TGH-S-PG/M	
TOLERANCES UNLESS OTHERWISE SPECIFIED:		PRODUCT SPEC 108-137015	SIZE CAGE CODE DRAWING NO RESTRICTED TO	
mm	0 PLC ± 1 PLC ± 2 PLC ± 3 PLC ± 4 PLC ± ANGLES ± FINISH -	APPLICATION SPEC 114-137015	A200779 C-T11X01601XX000	
MATERIAL	-	WEIGHT	SCALE 1:1 SHEET 1 OF 3 REV B	
CUSTOMER DRAWING				

THIS DRAWING IS UNPUBLISHED. RELEASED FOR PUBLICATION 20  
 © COPYRIGHT 20 BY - ALL RIGHTS RESERVED.

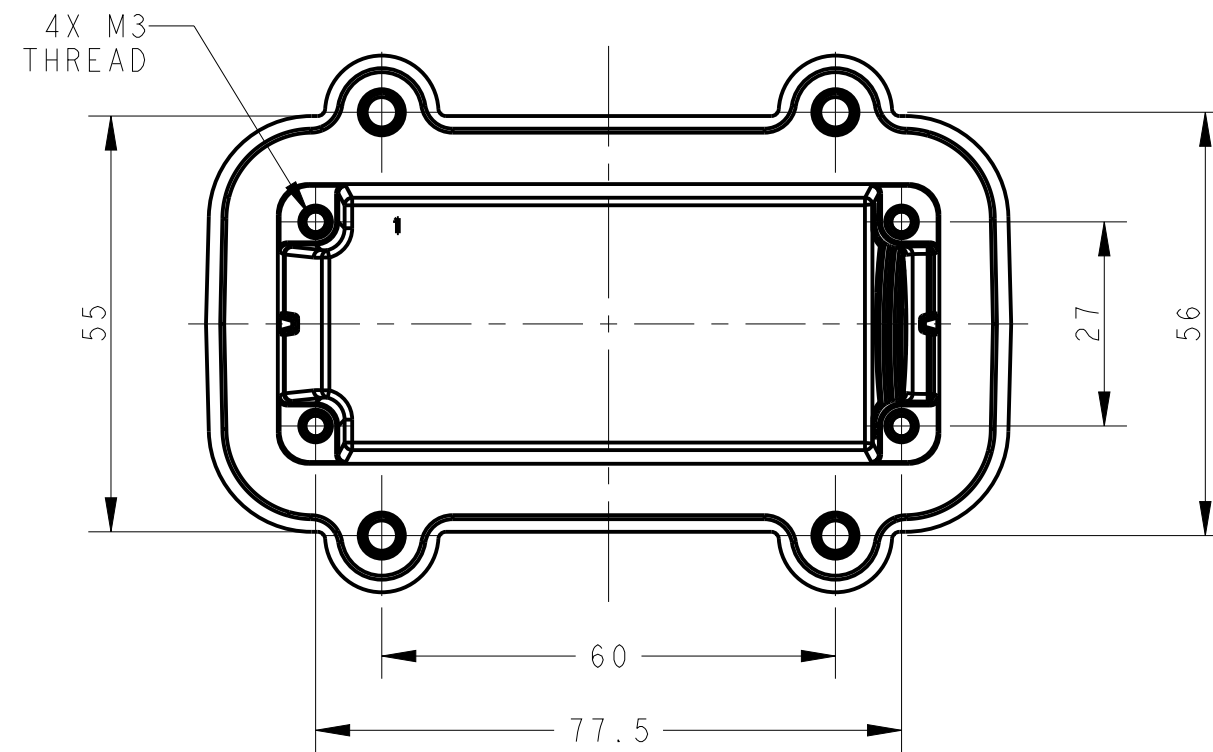
REVISIONS				
P	LTR	DESCRIPTION	DATE	APVD
-		SEE SHEET 1	-	-



TYPE 2



NOTES:  
SEE SHEET 1



TYPE 2: H16B HOOD, SIDE ENTRY, HIGH CONSTRUCTION  
 SCREW CONNECTION, POWDER COATED, GREY  
 类型2: H16B上壳, 侧出, 高结构, 螺丝连接, 灰色粉末喷涂

THIS DRAWING IS A CONTROLLED DOCUMENT.		DWN 07NOV2016 DAVID WANG	<b>STE</b> TE Connectivity	
		CHK 07NOV2016 CHRIS WANG		
DIMENSIONS:		APVD 07NOV2016 XIANG XU	NAME H16B-TSH/TGH-S-PG/M	
TOLERANCES UNLESS OTHERWISE SPECIFIED:		PRODUCT SPEC	SIZE CAGE CODE DRAWING NO RESTRICTED TO	
mm	0 PLC ± 1 PLC ± 2 PLC ± 3 PLC ± 4 PLC ± ANGLES ± FINISH	108-137015	A200779 C-T11X01601XX000	
MATERIAL		114-137015	SCALE 1:1 SHEET 2 OF 3 REV B	
		CUSTOMER DRAWING		

THIS DRAWING IS UNPUBLISHED. RELEASED FOR PUBLICATION 20  
 © COPYRIGHT 20 BY - ALL RIGHTS RESERVED.

REVISIONS				
P	LTR	DESCRIPTION	DATE	APVD
-		SEE SHEET 1	-	-

NOTES:  
SEE SHEET 1

T1120160121-000	HI6B-TSH-S-PG21	HI6B HOOD, SIDE ENTRY PG21, HIGH CONSTRUCTION, SCREW CONNECTION, POWDER COATED, GREY HI6B上壳, 侧出PG21, 高结构, 螺丝连接, 灰色粉末喷涂	-	PG21	TYPE 2 类型2
T1120160129-000	HI6B-TSH-S-PG29	HI6B HOOD, SIDE ENTRY PG29, HIGH CONSTRUCTION, SCREW CONNECTION, POWDER COATED, GREY HI6B上壳, 侧出PG29, 高结构, 螺丝连接, 灰色粉末喷涂	-	PG29	
T1120160125-000	HI6B-TSH-S-M25	HI6B HOOD, SIDE ENTRY M25, HIGH CONSTRUCTION, SCREW CONNECTION, POWDER COATED, GREY HI6B上壳, 侧出M25, 高结构, 螺丝连接, 灰色粉末喷涂	-	M25	
T1120160132-000	HI6B-TSH-S-M32	HI6B HOOD, SIDE ENTRY M32, HIGH CONSTRUCTION, SCREW CONNECTION, POWDER COATED, GREY HI6B上壳, 侧出M32, 高结构, 螺丝连接, 灰色粉末喷涂	-	M32	
T1120160140-000	HI6B-TSH-S-M40	HI6B HOOD, SIDE ENTRY M40, HIGH CONSTRUCTION, SCREW CONNECTION, POWDER COATED, GREY HI6B上壳, 侧出M40, 高结构, 螺丝连接, 灰色粉末喷涂	-	M40	
T1130160121-000	HI6B-TGH-S-PG21	HI6B HOOD, TOP ENTRY PG21, HIGH CONSTRUCTION, SCREW CONNECTION, POWDER COATED, GREY HI6B上壳, 顶出PG21, 高结构, 螺丝连接, 灰色粉末喷涂	PG21	-	TYPE 1 类型1
T1130160129-000	HI6B-TGH-S-PG29	HI6B HOOD, TOP ENTRY PG29, HIGH CONSTRUCTION, SCREW CONNECTION, POWDER COATED, GREY HI6B上壳, 顶出PG29, 高结构, 螺丝连接, 灰色粉末喷涂	PG29	-	
T1130160125-000	HI6B-TGH-S-M25	HI6B HOOD, TOP ENTRY M25, HIGH CONSTRUCTION, SCREW CONNECTION, POWDER COATED, GREY HI6B上壳, 顶出M25, 高结构, 螺丝连接, 灰色粉末喷涂	M25	-	
T1130160132-000	HI6B-TGH-S-M32	HI6B HOOD, TOP ENTRY M32, HIGH CONSTRUCTION, SCREW CONNECTION, POWDER COATED, GREY HI6B上壳, 顶出M32, 高结构, 螺丝连接, 灰色粉末喷涂	M32	-	
T1130160140-000	HI6B-TGH-S-M40	HI6B HOOD, TOP ENTRY M40, HIGH CONSTRUCTION, SCREW CONNECTION, POWDER COATED, GREY HI6B上壳, 顶出M40, 高结构, 螺丝连接, 灰色粉末喷涂	M40	-	
PART NUMBER 料号	PART DESCRIPTION 描述		PG/M THREAD-1 PG/M 螺纹孔1	PG/M THREAD-2 PG/M 螺纹孔2	TYPE 类型

THIS DRAWING IS A CONTROLLED DOCUMENT.		DWN 07NOV2016 DAVID WANG	<b>STE</b> TE Connectivity	
		CHK 07NOV2016 CHRIS WANG		
		APVD 07NOV2016 XIANG XU	NAME H16B-TSH/TGH-S-PG/M	
DIMENSIONS: mm		TOLERANCES UNLESS OTHERWISE SPECIFIED: 0 PLC ± 1 PLC ± 2 PLC ± 3 PLC ± 4 PLC ± ANGLES ± FINISH	PRODUCT SPEC 108-137015	RESTRICTED TO
MATERIAL			APPLICATION SPEC 114-137015	
			WEIGHT	SIZE CAGE CODE DRAWING NO A200779 C-T11X01601XX000
			CUSTOMER DRAWING	SCALE 1:1 SHEET 3 OF 3 REV B

单击下面可查看定价，库存，交付和生命周期等信息

[>>TE Connectivity\(泰科\)](#)