

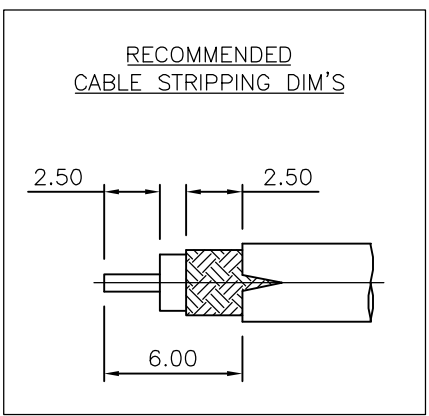
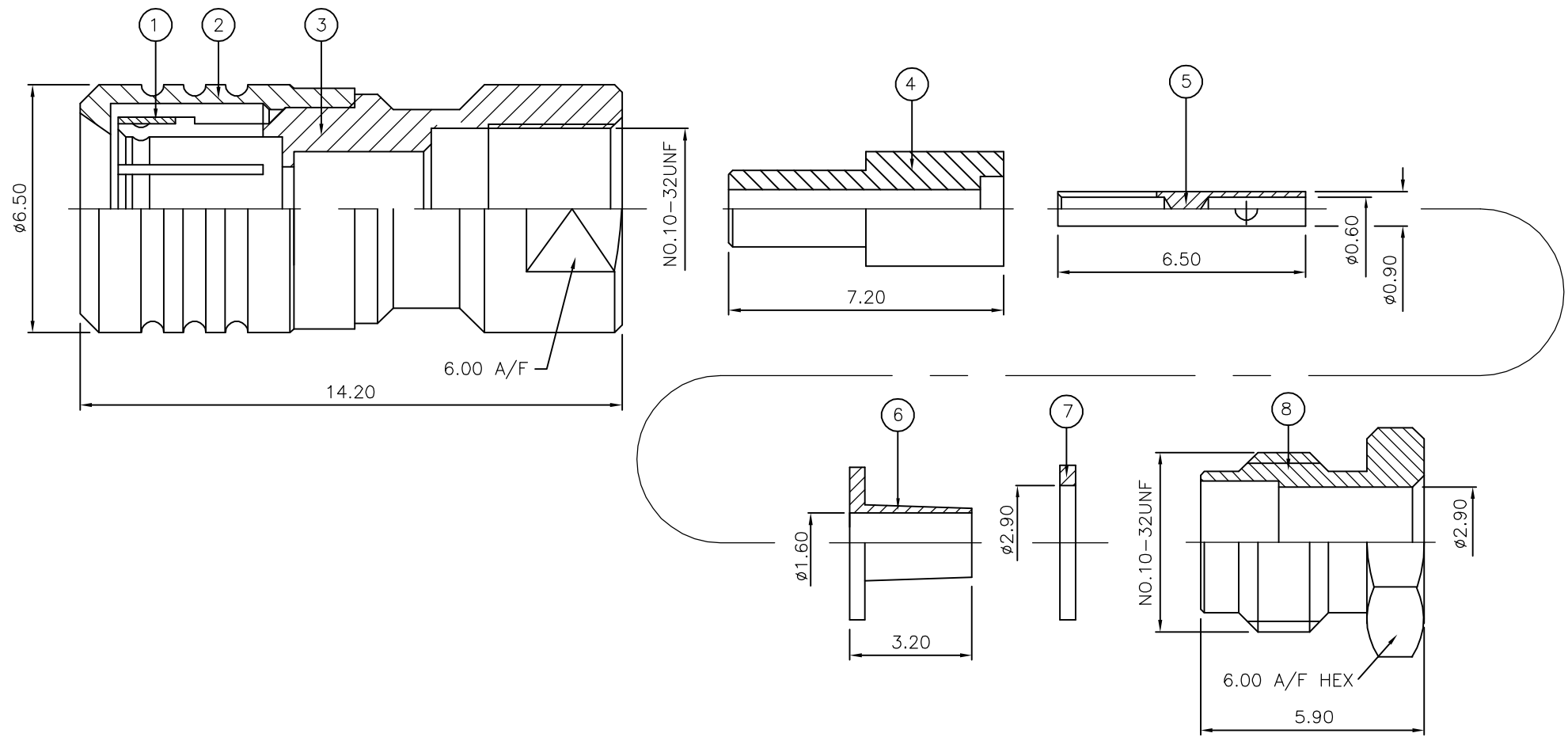
THIS DRAWING IS UNPUBLISHED. RELEASED FOR PUBLICATION JAN ,2006.

© COPYRIGHT 2006 BY TYCO ELECTRONICS CORPORATION. ALL RIGHTS RESERVED.

LOC	DIST	REVISIONS					
E	B	P	LTR	DESCRIPTION	DATE	DWN	APVD
		C		ECR-05-017969	09JAN06	JMS	FWK

NOTES:

- 1 PACK IN ACCORDANCE WITH AMP SPEC 107-3275
- 2 100 TRAY PACK IN ACCORDANCE WITH AMP SPEC 107-3275
- 3 Au PLATING
- 4 ELECTRICAL CHARACTERISTICS
 FREQUENCY RANGE: DC - 4 GHz
 NOMINAL IMPEDANCE: 50 Ohm
 INSULATION RESISTANCE: 1000 MOhm
 WORKING VOLTAGE: 250 Volts RMS at Sea Level
 DIELECTRIC WITHSTAND VOLTAGE: 750 Volts RMS Max
 CONTACT RESISTANCE:
 CENTRE CONTACT: 6.00 mOhm Max
 OUTER CONTACT: 1.00 mOhm Max
 VSWR @ 3GHz: 1.35:1
 INSERTION LOSS dB @ x 1.5 GHz: 0.30 Max
- 5 MECHANICAL CHARACTERISTICS
 COUPLING NUT RETENTION FORCE: N/A
 CABLE RETENTION FORCE: RG174A/U, 188A/U, 316/U, URM95: 85N Min
 CLAMP NUT RECOMMENDED TORQUE: 0.6N
 DURABILITY: 500 Cycles Min
- 6 ENVIRONMENTAL CHARACTERISTICS
 OPERATING TEMPERATURE: -65 to +165 DegC



	1	1	BRASS	3	CLAMP NUT	8
	1	1	BRASS	3	WASHER	7
	1	1	BRASS	3	FERRULE	6
	1	1	BERYLLIUM COPPER	3	CONTACT	5
	1	1	PTFE		INSULATION	4
	1	1	BRASS	3	BODY	3
	1	1	BRASS	3	SHELL	2
	1	1	BERYLLIUM COPPER		SPRING	1
	6--0	1--0	MATERIAL		DESCRIPTION	ITEM
QUANTITY PER ASSY			PARTS LIST			

THIS DRAWING IS A CONTROLLED DOCUMENT.		DWN J.SANDWELL 09JAN06	Tyco Electronics Corporation Bideford EX39 4HE													
DIMENSIONS: mm		CHK S.PARLOW 09JAN06														
TOLERANCES UNLESS OTHERWISE SPECIFIED:		APVD F.WHEELER-KING 09JAN06	NAME SMB STRAIGHT PLUG SOLDER 50 OHM RG174/U, 188A/U, 316/U, URM95, KX3B, KX22A													
<table border="1"> <tr><td>0 PLC</td><td>± -</td></tr> <tr><td>1 PLC</td><td>± -</td></tr> <tr><td>2 PLC</td><td>± -</td></tr> <tr><td>3 PLC</td><td>± -</td></tr> <tr><td>4 PLC</td><td>± -</td></tr> <tr><td>ANGLES</td><td>± -</td></tr> </table>		0 PLC	± -	1 PLC	± -	2 PLC	± -	3 PLC	± -	4 PLC	± -	ANGLES	± -	PRODUCT SPEC -	APPLICATION SPEC -	
0 PLC	± -															
1 PLC	± -															
2 PLC	± -															
3 PLC	± -															
4 PLC	± -															
ANGLES	± -															
MATERIAL SEE TABLE		FINISH -	WEIGHT -	RESTRICTED TO -												
		411-3258	SIZE A3	CAGE CODE 00779												
		CUSTOMER DRAWING	DRAWING NO C-1337475	REV C												
			SCALE NTS	SHEET 1 OF 1												

单击下面可查看定价，库存，交付和生命周期等信息

[>>TE Connectivity\(泰科\)](#)