

4

3

2

1

THIS DRAWING IS UNPUBLISHED.

RELEASED FOR PUBLICATION

20

© COPYRIGHT 20 BY -

ALL RIGHTS RESERVED.

REVISIONS

P	LTR	DESCRIPTION	DATE	DWN	APVD
	A2	ECR-17-012365	26AUG2017	RL	CW
	A3	ECR-18-018974	15NOV2018	WQR	CW
	B	ECR-20-008190	28SEP2020	WQR	CW
	C	ECR-23-194273	18DEC2023	BS	CW

43
27
77.5
93.5
4-M3

19.5
113.1
114.8
117
105
45
57
99.1
4-Ø5.5

19.5

NOTES:

1. TECHNICAL CHARACTERISTICS:
HOUSING MATERIAL: DIE CAST ALUMINIUM ALLOY
SURFACE TREATMENT: POWDER COATED, GREY
DEGREE OF PROTECTION: IP65 (MATED)

注释:

1. 技术参数:
下壳材料: 铝合金
表面处理: 粉末喷涂, 灰色
防护等级: IP65(配合)

HOUSING
下壳

SCALE 2:5

TYPE 1: T1620163XXX-000 HI6B-SDRM-LB-PG/M
类型 1: T1620163XXX-000 HI6B下壳, 表面安装, 彩锌单扣, PG/M,
带金属保护盖, 灰色粉末喷涂

THIS DRAWING IS A CONTROLLED DOCUMENT.

DWN 23JUN2015

DAVID LI

CHK 23JUN2015

CHRIS WANG

APVD 23JUN2015

XIANG XU

PRODUCT SPEC

108-137013

APPLICATION SPEC

114-137013

WEIGHT

-

CUSTOMER DRAWING

TE Connectivity

NAME
HI6B-SDRM-LB-PG/M

SIZE CAGE CODE DRAWING NO RESTRICTED TO

A3

-

C-T162016XXXXX00

SCALE 1:2

SHEET 1 OF 3

REV C

DIMENSIONS:

mm

TOLERANCES UNLESS OTHERWISE SPECIFIED:

0 PLC	±-
1 PLC	±-
2 PLC	±-
3 PLC	±-
4 PLC	±-
ANGLES	±-
FINISH	-

MATERIAL

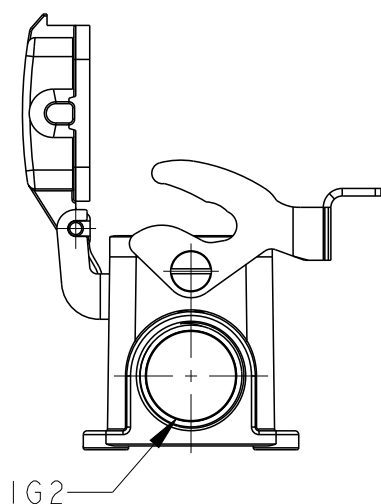
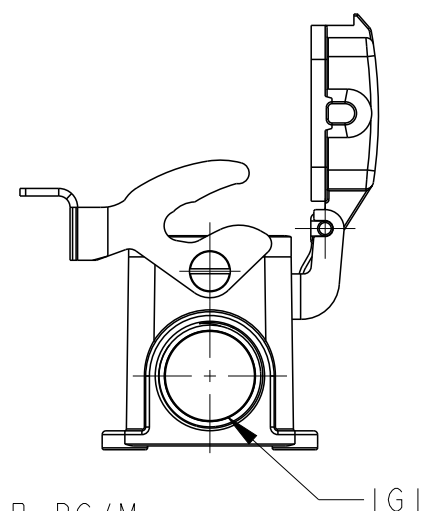
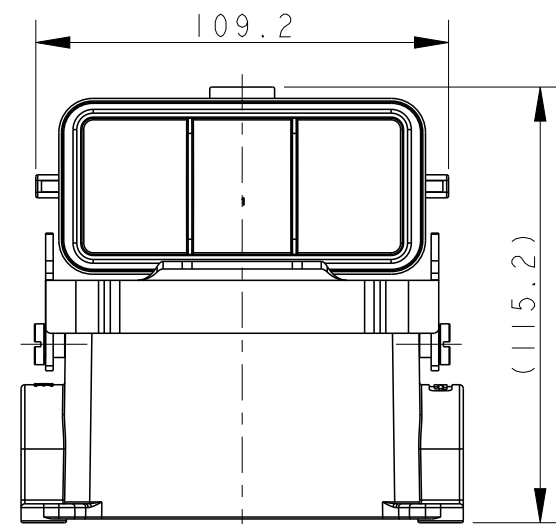
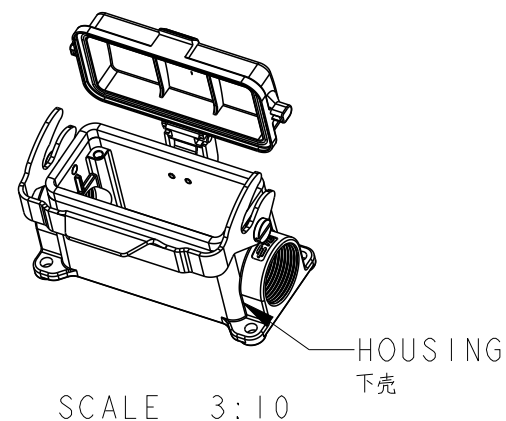
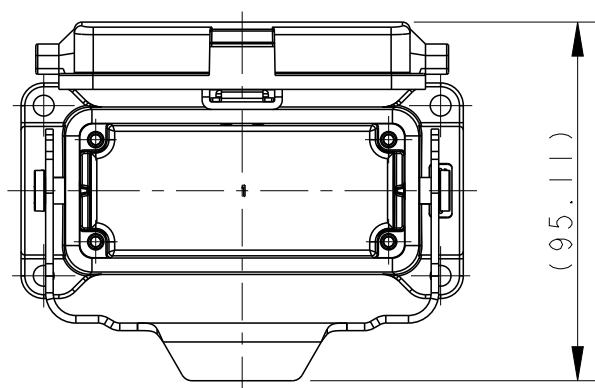
-

1470-19 (3/13)

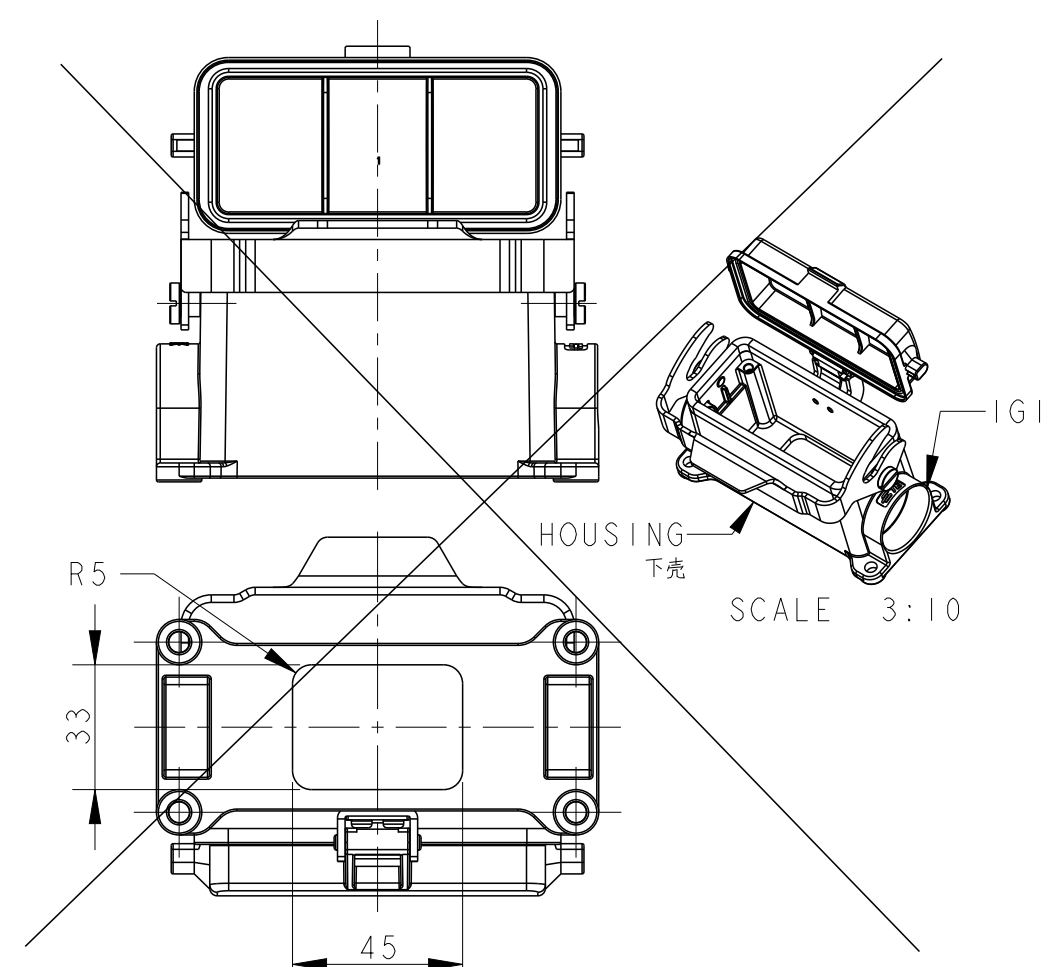
Downloaded From oneyac.com

REVISIONS

P	LTR	DESCRIPTION	DATE	DWN	APVD
-	-	SEE SHEET 1	-	-	-

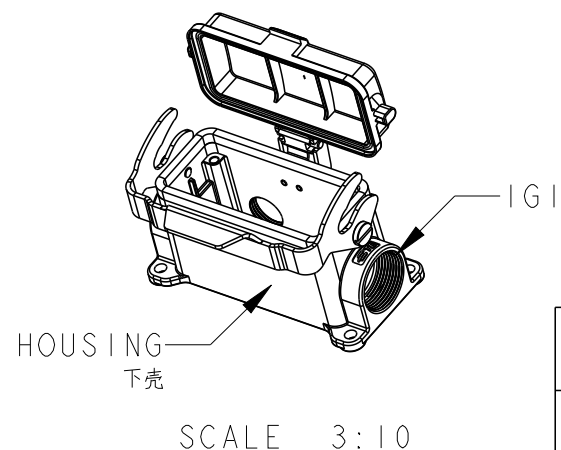
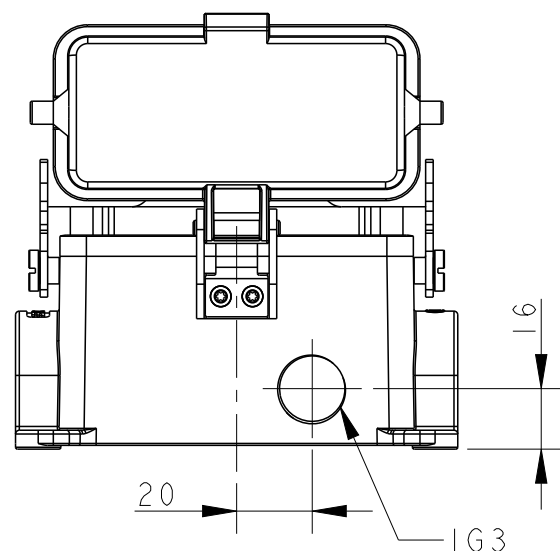


TYPE 2: T1620163XXX-000 HI6B-SDR-LB-PG/M
 OTHER SPEC REFER TO TYPE 1
 类型 2: T1620163XXX-000 HI6B下壳, 表面安装, 彩锌单扣, PG/M, 带塑料保护盖, 灰色粉末喷涂, 其余规范参照类型1



TYPE 4: T1620163132-100 HI6B-SDR-LB-M32
 OTHER SPEC REFER TO TYPE 2
 类型 4: T1620163132-100 HI6B下壳, 表面安装, 彩锌单扣, M32, 带塑料保护盖, 底部铣槽, 灰色粉末喷涂, 其余规范参照类型2

OBSOLETE TYPE 4 PN
 废除类型4料号



TYPE 3: T1620162111-000 HI6B-SDR-LB-PG11/PG21
 OTHER SPEC REFER TO TYPE 2
 类型 3: T1620162111-000 HI6B下壳, 表面安装, 彩锌单扣, PG11 + 正面PG21, 带塑料保护盖, 灰色粉末喷涂, 其余规范参照类型2

THIS DRAWING IS A CONTROLLED DOCUMENT.	
DIMENSIONS: mm	TOLERANCES UNLESS OTHERWISE SPECIFIED: 0 PLC ±- 1 PLC ±- 2 PLC ±- 3 PLC ±- 4 PLC ±- ANGLES ±-
MATERIAL -	FINISH -

DWN	23JUN2015
DAVID LI	
CHK	23JUN2015
CHRIS WANG	
APVD	23JUN2015
XIANG XU	
PRODUCT SPEC	108-137013
APPLICATION SPEC	114-137013
WEIGHT	-
CUSTOMER DRAWING	

TE Connectivity		NAME HI6B-SDRM-LB-PG/M	
		SIZE A3	CAGE CODE -
DRAWING NO C-T162016XXXXX00		RESTRICTED TO	
SCALE 1:2	SHEET 2 OF 3	REV C	

4

3

2

1

THIS DRAWING IS UNPUBLISHED.

RELEASED FOR PUBLICATION

20

REVISIONS

© COPYRIGHT 20 BY -

ALL RIGHTS RESERVED.

TYPE 5: T1620162520-000 HI6B-SDR-LB-2M25/M20
OTHER SPEC REFER TO TYPE 2
类型 5: T1620162520-000 HI6B下壳, 表面安装, 彩锌单扣,
侧出2M25, 底出M20, 带塑料保护盖, 灰色粉末喷涂, 其余规范参照类型2

P	LTR	DESCRIPTION	DATE	DWN	APVD
-	-	SEE SHEET 1	-	-	-

NOTES:

SEE SHEET 1

注释:

参照 SHEET 1

PART NUMBER 料号		PART DESCRIPTION 描述	IG1	IG2	IG3	TYPE 类型
T1620163421-000	HI6B-SDRM-LB-PG21	HI6B HOUSING, SURFACE MOUNTED, METAL SINGLE LOCKING, PG21, METAL PROTECTION COVER, POWDER COATED, GREY HI6B下壳, 表面安装, 彩锌单扣, PG21, 带金属保护盖, 灰色粉末喷涂	PG21	-	-	TYPE 1 类型1
T1620163425-000	HI6B-SDRM-LB-M25	HI6B HOUSING, SURFACE MOUNTED, METAL SINGLE LOCKING, M25, METAL PROTECTION COVER, POWDER COATED, GREY HI6B下壳, 表面安装, 彩锌单扣, M25, 带金属保护盖, 灰色粉末喷涂	M25	-	-	
T1620163321-000	HI6B-SDRM-LB-2PG21	HI6B HOUSING, SURFACE MOUNTED, METAL SINGLE LOCKING, 2PG21, METAL PROTECTION COVER, POWDER COATED, GREY HI6B下壳, 表面安装, 彩锌单扣, 2PG21, 带金属保护盖, 灰色粉末喷涂	PG21	PG21	-	
T1620163325-000	HI6B-SDRM-LB-2M25	HI6B HOUSING, SURFACE MOUNTED, METAL SINGLE LOCKING, 2M25, METAL PROTECTION COVER, POWDER COATED, GREY HI6B下壳, 表面安装, 彩锌单扣, 2M25, 带金属保护盖, 灰色粉末喷涂	M25	M25	-	
T1620163121-000	HI6B-SDR-LB-PG21	HI6B HOUSING, SURFACE MOUNTED, METAL SINGLE LOCKING, PG21, PLASTIC PROTECTION COVER, POWDER COATED, GREY HI6B下壳, 表面安装, 彩锌单扣, PG21, 带塑料保护盖, 灰色粉末喷涂	PG21	-	-	TYPE 2 类型2
T1620163120-000	HI6B-SDR-LB-M20	HI6B HOUSING, SURFACE MOUNTED, METAL SINGLE LOCKING, M20, PLASTIC PROTECTION COVER, POWDER COATED, GREY HI6B下壳, 表面安装, 彩锌单扣, M20, 带塑料保护盖, 灰色粉末喷涂	M20	-	-	
T1620163125-000	HI6B-SDR-LB-M25	HI6B HOUSING, SURFACE MOUNTED, METAL SINGLE LOCKING, M25, PLASTIC PROTECTION COVER, POWDER COATED, GREY HI6B下壳, 表面安装, 彩锌单扣, M25, 带塑料保护盖, 灰色粉末喷涂	M25	-	-	
T1620163132-000	HI6B-SDR-LB-M32	HI6B HOUSING, SURFACE MOUNTED, METAL SINGLE LOCKING, M32, PLASTIC PROTECTION COVER, POWDER COATED, GREY HI6B下壳, 表面安装, 彩锌单扣, M32, 带塑料保护盖, 灰色粉末喷涂	M32			
T1620163220-000	HI6B-SDR-LB-2M20	HI6B HOUSING, SURFACE MOUNTED, METAL SINGLE LOCKING, 2M20, PLASTIC PROTECTION COVER, POWDER COATED, GREY HI6B下壳, 表面安装, 彩锌单扣, 2M20, 带塑料保护盖, 灰色粉末喷涂	M20	M20	-	
T1620163221-000	HI6B-SDR-LB-2PG21	HI6B HOUSING, SURFACE MOUNTED, METAL SINGLE LOCKING, 2PG21, PLASTIC PROTECTION COVER, POWDER COATED, GREY HI6B下壳, 表面安装, 彩锌单扣, 2PG21, 带塑料保护盖, 灰色粉末喷涂	PG21	PG21	-	
T1620163225-000	HI6B-SDR-LB-2M25	HI6B HOUSING, SURFACE MOUNTED, METAL SINGLE LOCKING, 2M25, PLASTIC PROTECTION COVER, POWDER COATED, GREY HI6B下壳, 表面安装, 彩锌单扣, 2M25, 带塑料保护盖, 灰色粉末喷涂	M25	M25	-	
T1620162111-000	HI6B-SDR-LB-PG11/PG21	HI6B HOUSING, SURFACE MOUNTED, METAL SINGLE LOCKING, PG11+FRONT ENTRY PG21, PLASTIC PROTECTION COVER, POWDER COATED, GREY HI6B下壳, 表面安装, 彩锌单扣, PG11+正面PG21, 带塑料保护盖, 灰色粉末喷涂	PG21	-	PG11	TYPE 3 类型3
T1620163132-100	HI6B-SDR-LB-M32/T	HI6B HOUSING, SURFACE MOUNTED, METAL SINGLE LOCKING, M32, PLASTIC PROTECTION COVER, MILL ON BOTTOM, POWDER COATED, GREY HI6B下壳, 表面安装, 彩锌单扣, M32, 带塑料保护盖, 底部铣槽, 灰色粉末喷涂	M32			TYPE 4 类型4
T1620162520-000	HI6B-SDR-LB-2M25/M20	HI6B HOUSING, SURFACE MOUNTED, METAL SINGLE LOCKING, SIDE ENTRY 2M25, BOTTOM ENTRY M20, PLASTIC PROTECTION COVER, POWDER COATED, GREY HI6B下壳, 表面安装, 彩锌单扣, 侧出2M25, 底出M20, 带塑料保护盖, 灰色粉末喷涂	M25	M25	-	TYPE 5 类型5

OBSOLETE
废除OBSOLETE
废除

THIS DRAWING IS A CONTROLLED DOCUMENT.

DWN 23JUN2015

DAVID LI

CHK 23JUN2015

CHRIS WANG

APVD 23JUN2015

XIANG XU

PRODUCT SPEC

108-137013

APPLICATION SPEC

114-137013

WEIGHT -

CUSTOMER DRAWING

TE Connectivity

NAME
HI6B-SDRM-LB-PG/M

SIZE CAGE CODE DRAWING NO RESTRICTED TO

A3 - C-T162016XXXXX00

SCALE 1:2 SHEET 3 OF 3 REV C

DIMENSIONS:

mm

TOLERANCES UNLESS OTHERWISE SPECIFIED:

0 PLC	±-
1 PLC	±-
2 PLC	±-
3 PLC	±-
4 PLC	±-
ANGLES	±-

MATERIAL

FINISH

1470-19 (3/13)

Downloaded From Oneyac.com

单击下面可查看定价，库存，交付和生命周期等信息

[>>TE Connectivity\(泰科\)](#)