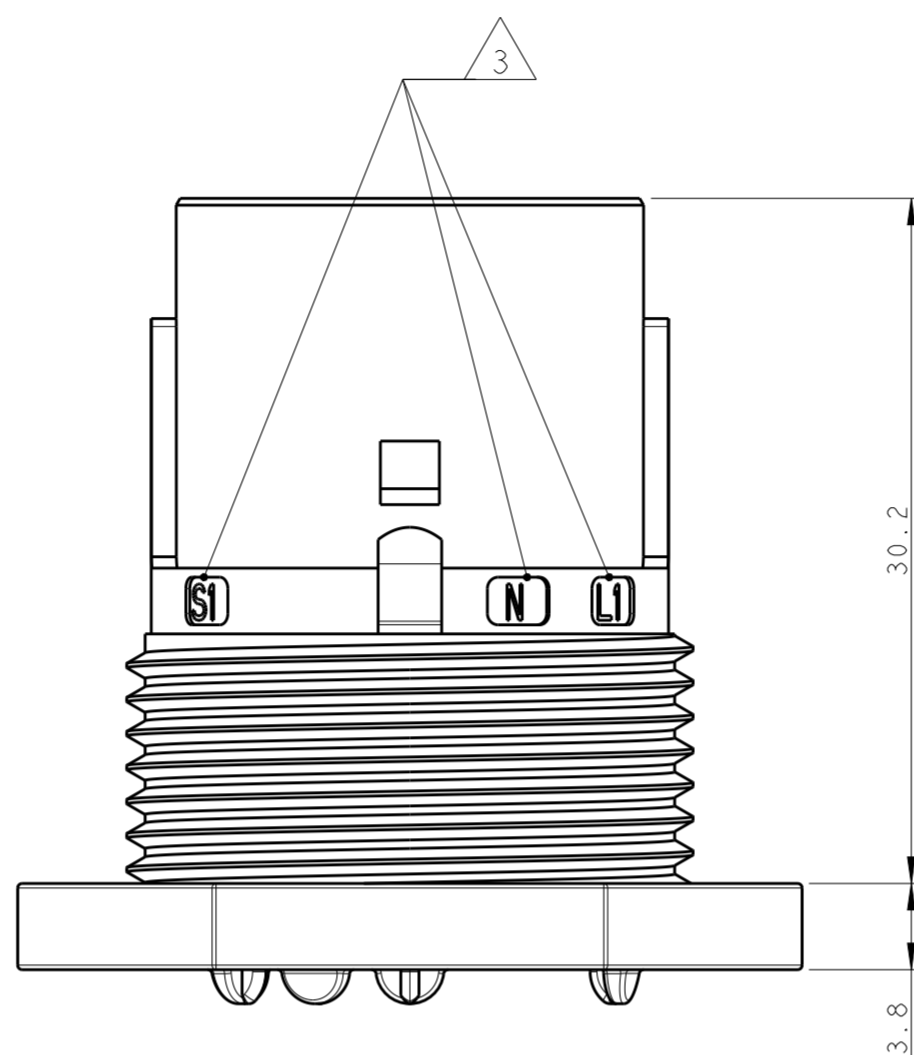
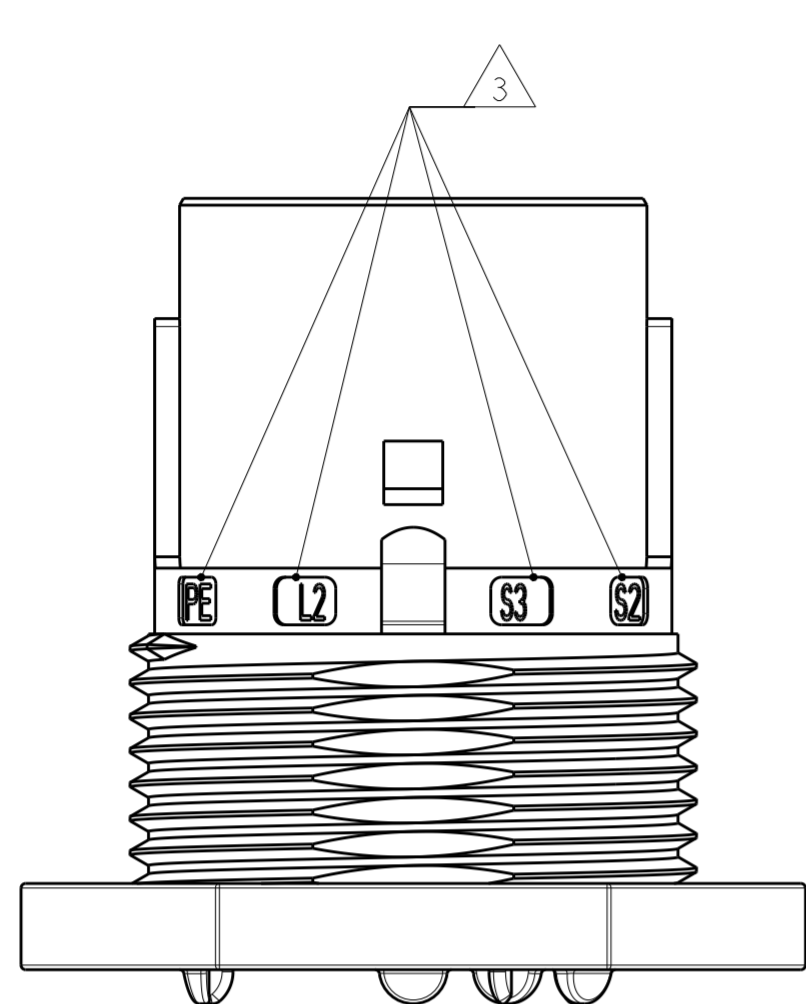


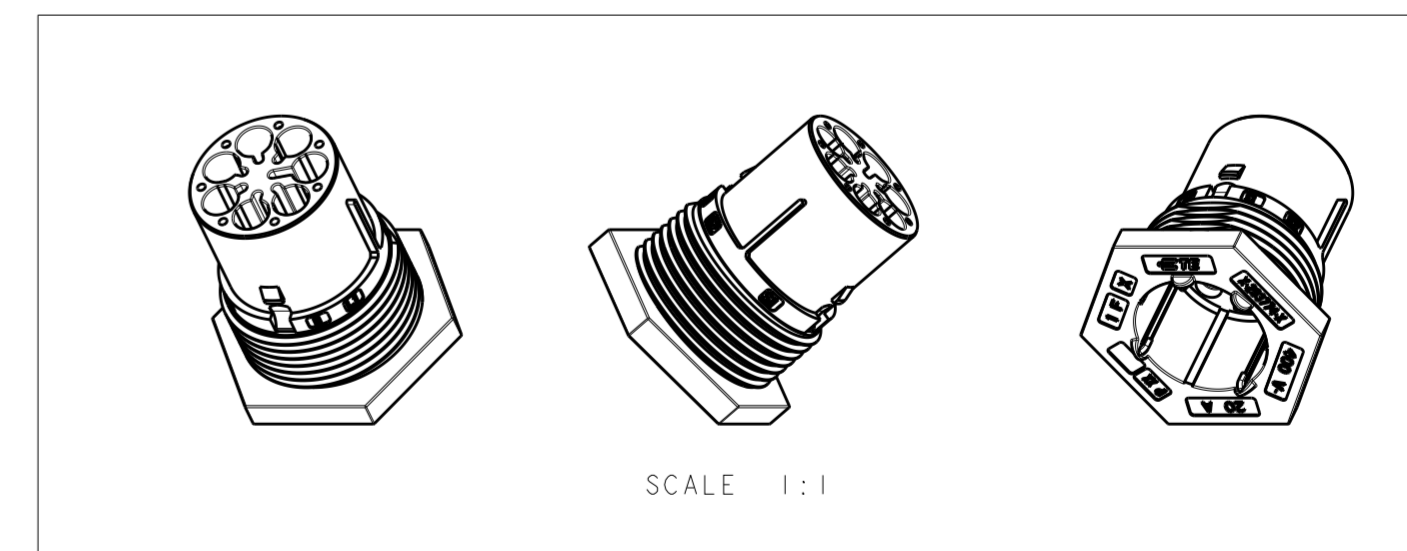
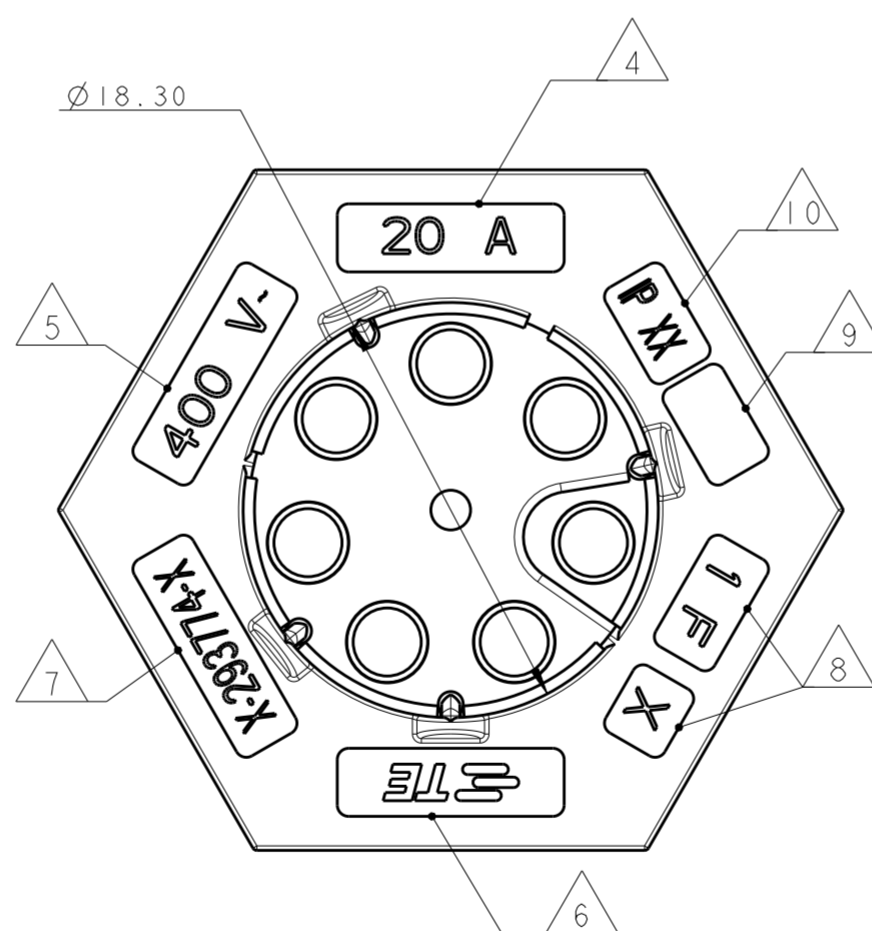
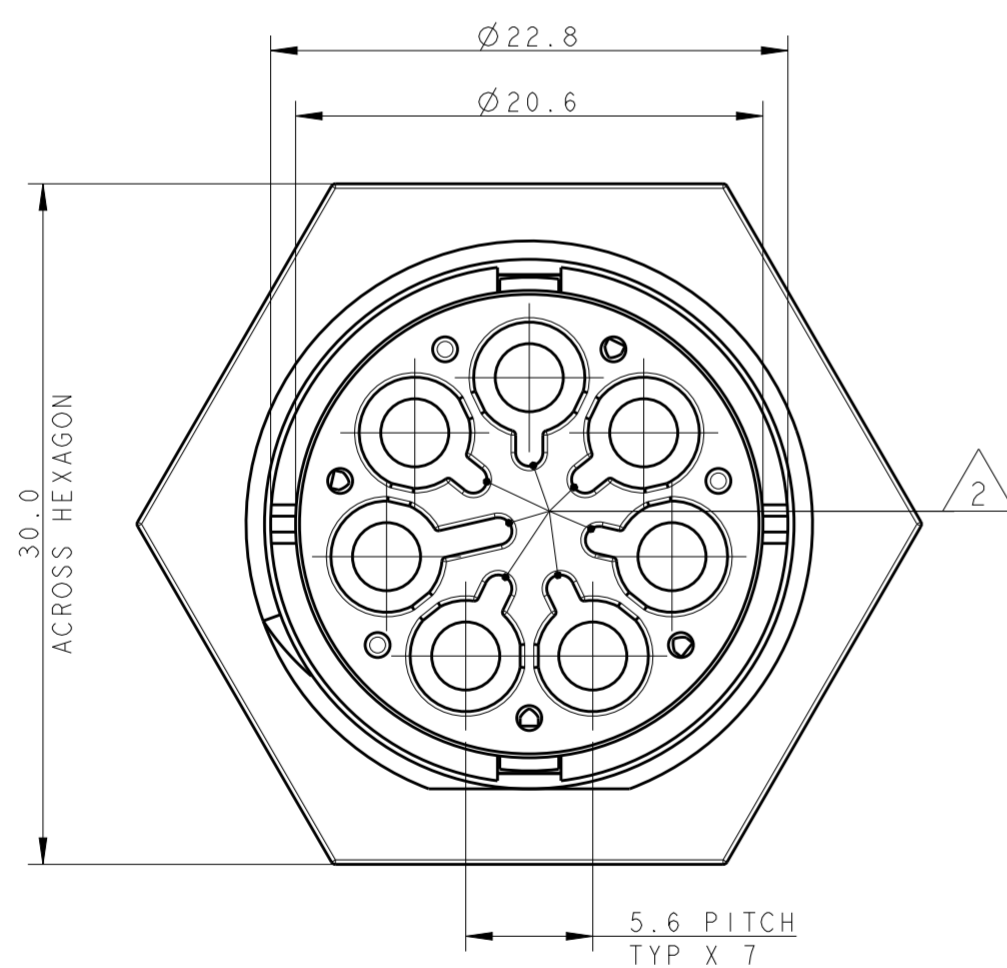
THIS DRAWING IS UNPUBLISHED. RELEASED FOR PUBLICATION 2011
 © COPYRIGHT 2011 BY - ALL RIGHTS RESERVED.


LOC	DIST	REVISIONS					
		P	LTR	DESCRIPTION	DATE	DWN	APVD
		3		UPDATED	22JUL2013	MZ	JC
		4		REVISED LATCH SHAPE	02AUG2013	KR	JC
		A		PARTS RELEASED FOR PRODUCTION	14NOV2013	MZ	JC
		AI		REVISED PER ECR-18-006945	30MAY2018	NG	MZ



NOTES:

- 1 MATERIAL: PA GF (NATURAL AND BLACK COLOUR)
- 2 ALL POLARIZATION KEYS SHOWN FOR REF ONLY
- 3 WAYS I.D.
- 4 CURRENT RATING
- 5 VOLTAGE RATING
- 6 TE LOGO
- 7 TE PART NUMBER
- 8 DATA CODE AND CAVITY I.D.
- 9 AREA FOR AGENCIES APPROVAL LOGO
- 10 IP CODE



THIS DRAWING IS A CONTROLLED DOCUMENT.		DWN A. BERNARDI 31MAR2011	 TE Connectivity	
DIMENSIONS: mm		CHK M. ZUCCA 31MAR2011		
TOLERANCES UNLESS OTHERWISE SPECIFIED:		APVD G. TURCO 31MAR2011	NAME PIN HOUSING 7 POLES PANEL MOUNT M-LINE NECTOR	
0 PLC ±		PRODUCT SPEC	SIZE CAGE CODE DRAWING NO	
1 PLC ±0.3		APPLICATION SPEC	RESTRICTED TO	
2 PLC ±0.20		WEIGHT	A20779G-293774	
3 PLC ±		Customer Drawing	SCALE 3:1	SHEET 1 OF 3
4 PLC ±				REV AI
ANGLES ±3°				
FINISH				

THIS DRAWING IS UNPUBLISHED. RELEASED FOR PUBLICATION 2011
 © COPYRIGHT 2011 BY - ALL RIGHTS RESERVED.

LOC		DIST		REVISIONS			
P	LTR	DESCRIPTION	DATE	DWN	APVD		
-	-	SEE SHEET 1	-	-	-		

POLARIZATION TYPES

POLARIZATION TYPE "A"	POLARIZATION TYPE "B"	POLARIZATION TYPE "C"
PNs 0-293774-1 AND 1-293774-1	PNs 0-293774-2 AND 1-293774-2	PNs 0-293774-3 AND 1-293774-3
POLARIZATION TYPE "D"	POLARIZATION TYPE "E"	
PNs 0-293774-4 AND 1-293774-4	PNs 0-293774-5 AND 1-293774-5	

TABLE 1

NOTE	POL. KEYING	COLOUR	DESCRIPTION	REV.	P/N
		E	BLACK	A	1-293774-5
OBSOLETE		D	BLACK	A	1-293774-4
		C	BLACK	A	1-293774-3
		B	BLACK	A	1-293774-2
		A	BLACK	A	1-293774-1
OBSOLETE		E	NATURAL	A	0-293774-5
		D	NATURAL	A	0-293774-4
		C	NATURAL	A	0-293774-3
		B	NATURAL	A	0-293774-2
		A	NATURAL	A	0-293774-1

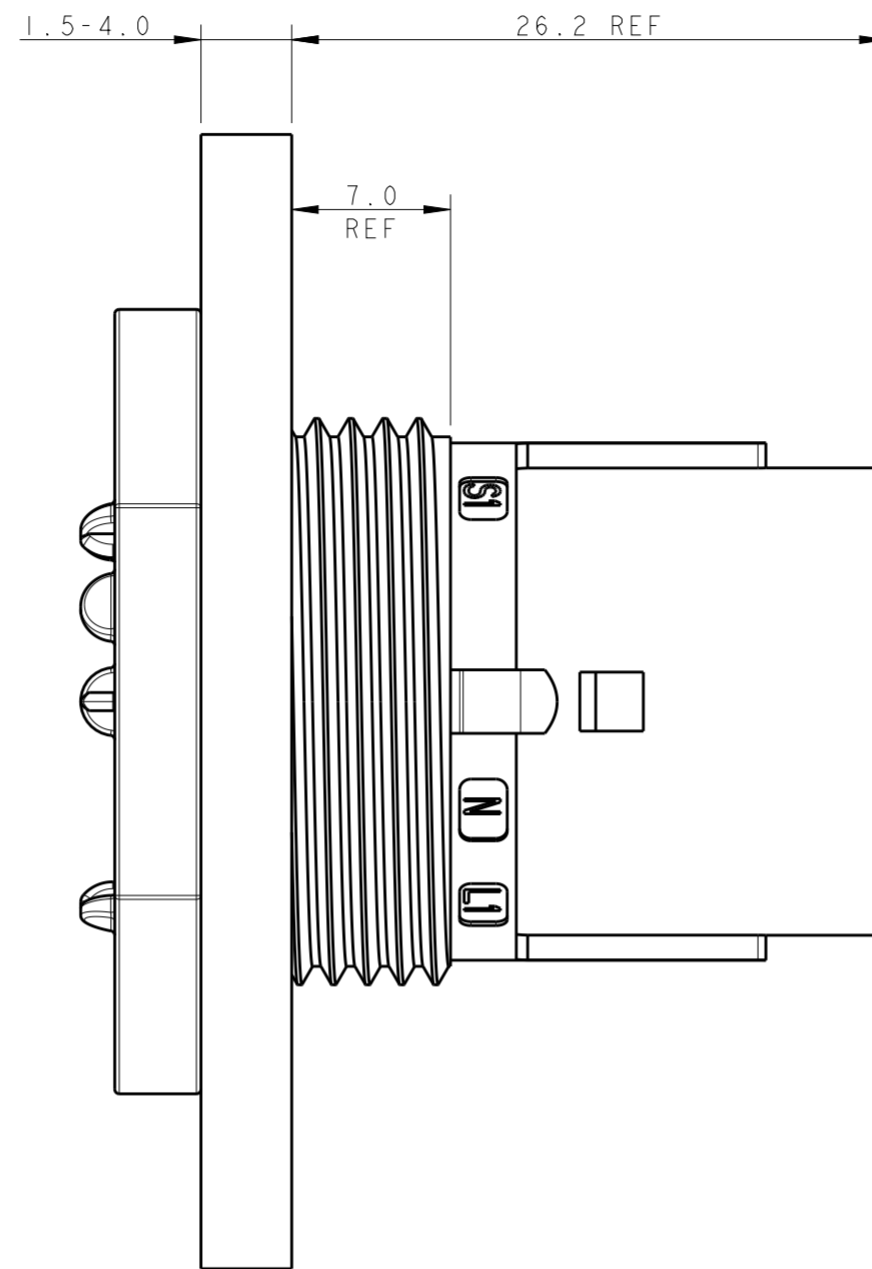
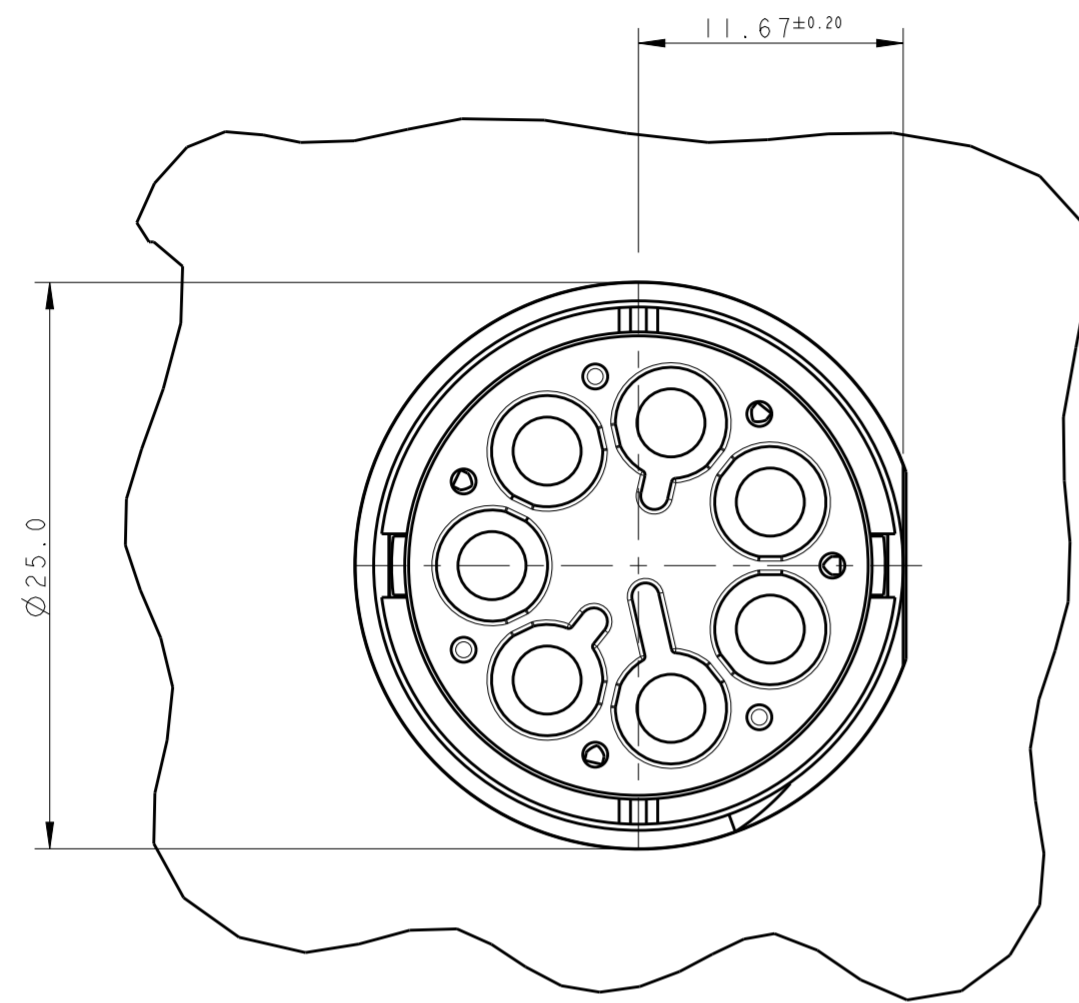
THIS DRAWING IS A CONTROLLED DOCUMENT.

DWN: A. BERNARDI 31MAR2011	 TE Connectivity	NAME: PIN HOUSING 7 POLES PANEL MOUNT M-LINE NECTOR
CHK: M. ZUCCA 31MAR2011		SIZE: A2
APVD: G. TURCO 31MAR2011		CAGE CODE: 0779
PRODUCT SPEC: -		DRAWING NO: C-293774
APPLICATION SPEC: -	RESTRICTED TO: -	SCALE: 3:1
WEIGHT: -	SHEET: 2 OF 3	REV: A1
MATERIAL: -	Customer Drawing	

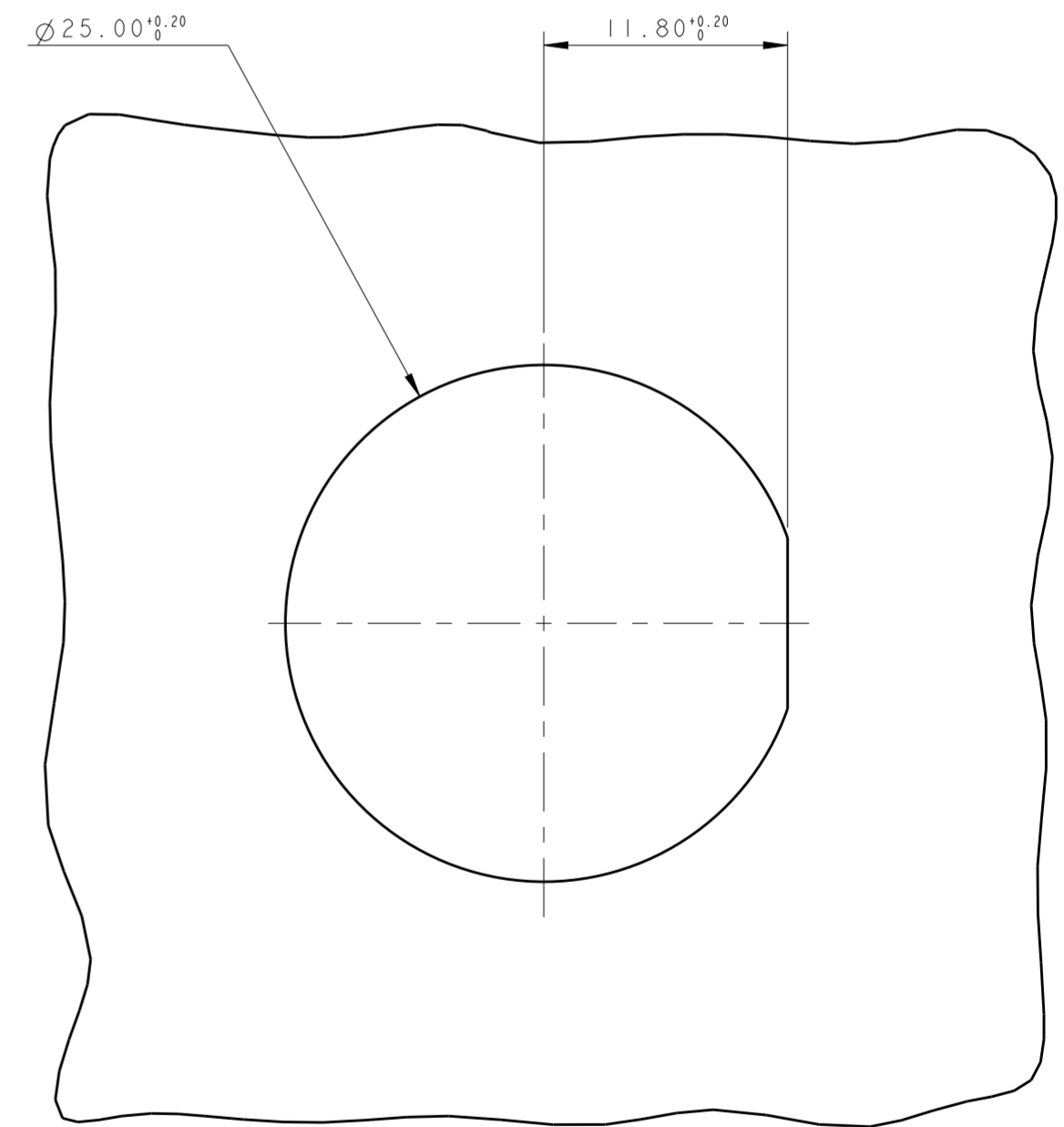
THIS DRAWING IS UNPUBLISHED. RELEASED FOR PUBLICATION 2011
 © COPYRIGHT 2011 BY - ALL RIGHTS RESERVED.

LOC		DIST		REVISIONS			
P	LTR	DESCRIPTION	DATE	DWN	APVD		
-	-	SEE SHEET 1	-	-	-		

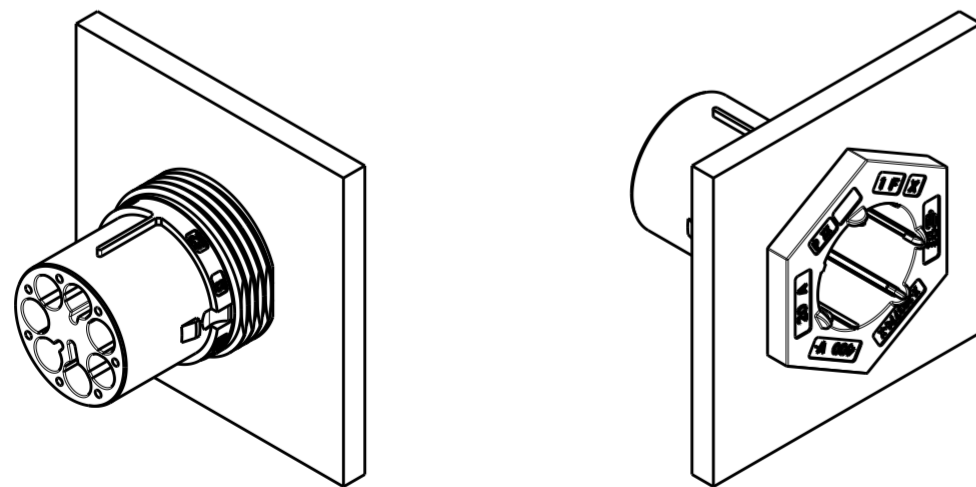
PN 293774-3 AS SHOWN



PANEL/WALL SUGGESTED LAYOUT



3D VIEWS FOR REFERENCE ONLY
 PN 293774-3 AS SHOWN



SCALE 1:1

THIS DRAWING IS A CONTROLLED DOCUMENT.		DWN A. BERNARDI 31MAR2011	TE Connectivity	
DIMENSIONS: mm		CHK M. ZUCCA 31MAR2011		
TOLERANCES UNLESS OTHERWISE SPECIFIED:		APVD G. TURCO 31MAR2011	NAME PIN HOUSING 7 POLES PANEL MOUNT M-LINE NECTOR	
0 PLC ±		PRODUCT SPEC	SIZE CAGE CODE DRAWING NO RESTRICTED TO	
1 PLC ±0.3		APPLICATION SPEC	A200779 C-293774	
2 PLC ±0.20		WEIGHT	SCALE 3:1 SHEET 3 OF 3 REV A1	
3 PLC ±		Customer Drawing		
4 PLC ±				
ANGLES ±3°				
FINISH				

单击下面可查看定价，库存，交付和生命周期等信息

[>>TE Connectivity\(泰科\)](#)