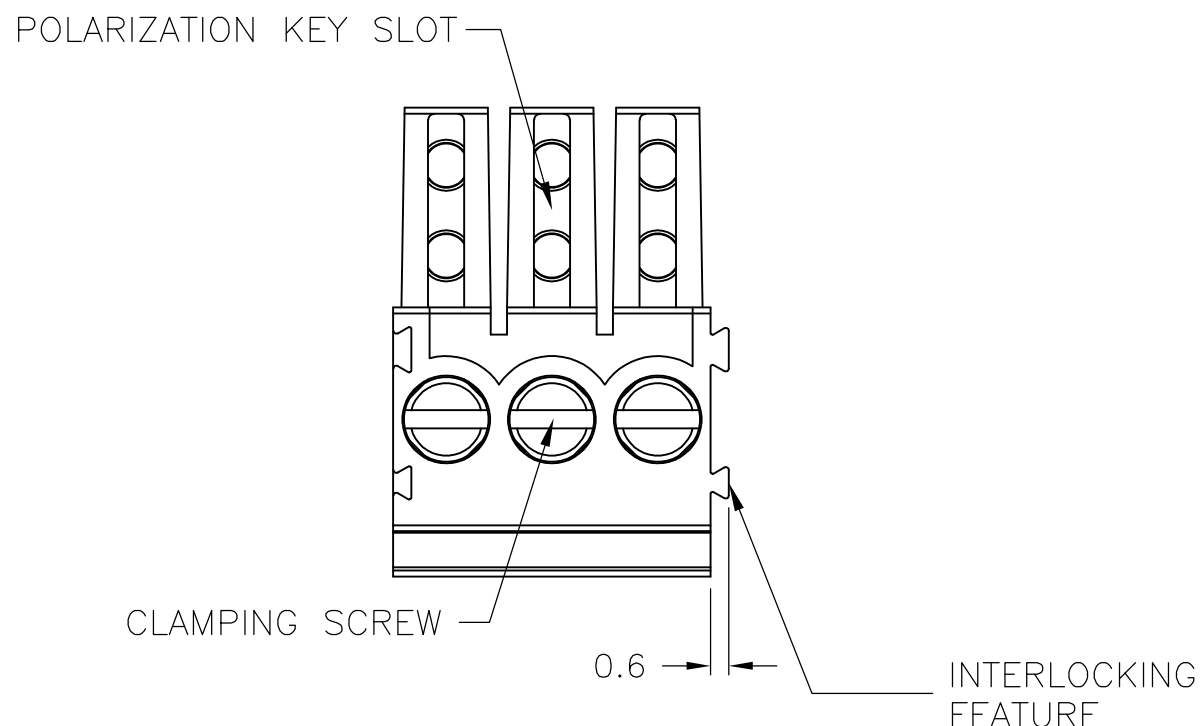
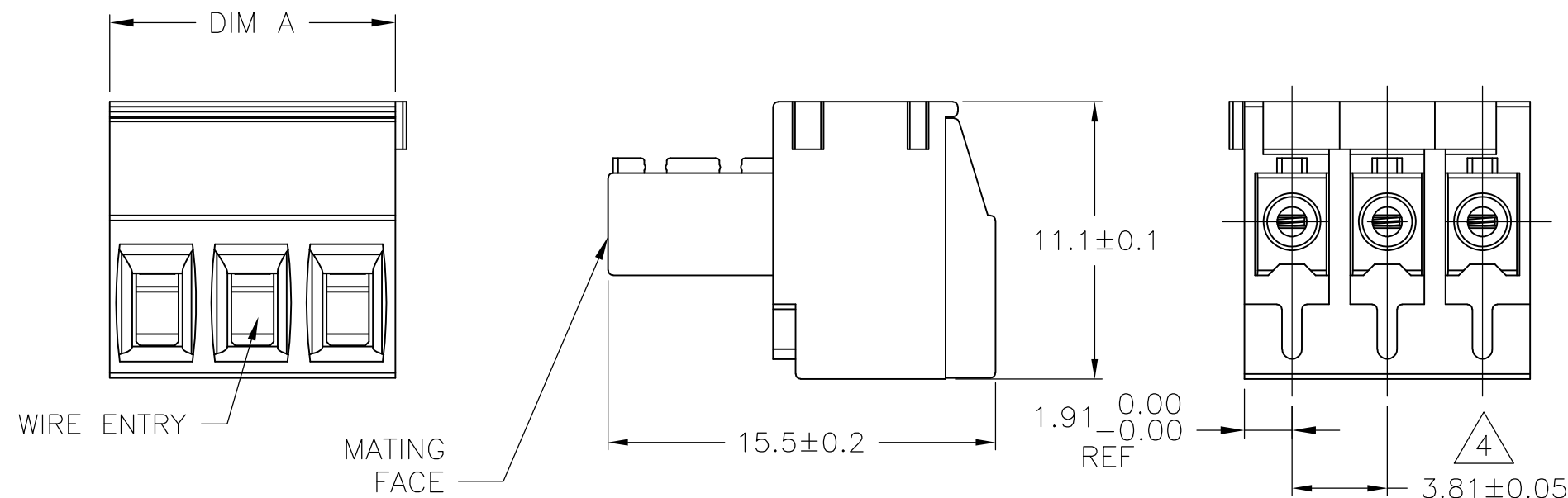


THIS DRAWING IS UNPUBLISHED. RELEASED FOR PUBLICATION
 © COPYRIGHT BY TYCO ELECTRONICS CORPORATION. ALL INTERNATIONAL RIGHTS RESERVED.

LOC	DIST	REVISIONS					
		P	LTR	DESCRIPTION	DATE	DWN	APVD
—	—		A	REVISED PER ECO-08-025009	11OCT08	HMR	CR



1 MATERIALS AND FINISH
 HOUSING : PA 6.6, UL 94-V0, COLOR: BLACK
 CLAMP : BRASS, NICKEL PLATED
 TERMINAL : BRASS, TIN PLATED
 CONTACT SPRING : PHOSPHOR BRONZE, TIN PLATED
 CLAMPING SCREW : M2, BRASS, NICKEL PLATED

2 END-TO-END STACKABLE W/INTERLOCK WITHOUT LOSS OF CENTERLINE SPACING

3 WIRE SIZE RANGE 14-30 AWG

4 NOT CUMULATIVE TOLERANCE

5 PRELIMINARY - NOT FOR PRODUCTION.

5	DIM A	NO OF POS	PART NUMBER
	68.58	18	1-1986345-8
	45.72	12	1-1986345-2
	41.91	11	1-1986345-1
	38.10	10	1-1986345-0
	34.29	9	1986345-9
	30.48	8	1986345-8
	22.67	7	1986345-7
	22.86	6	1986345-6
	19.05	5	1986345-5
	15.24	4	1986345-4
	11.43	3	1986345-3
	7.62	2	1986345-2

THIS DRAWING IS A CONTROLLED DOCUMENT.		DWN S SCHLEGEL 30JAN2008	Tyco Electronics Corporation Harrisburg, PA 17105-3608	
DIMENSIONS: mm		CHK C RICHARD 1/30/08	NAME	
TOLERANCES UNLESS OTHERWISE SPECIFIED:		APVD C RICHARD 1/30/08	TERMINAL BLOCK PLUG STACKING WITH INTERLOCK 3.81mm PITCH	
0 PLC ± - 1 PLC ± 0.3 2 PLC ± 0.25 3 PLC ± - 4 PLC ± - ANGLES ± 2°		PRODUCT SPEC	SIZE	CAGE CODE
MATERIAL 1		FINISH -	—	—
		APPLICATION SPEC	—	DRAWING NO
		WEIGHT	—	RESTRICTED TO
		CUSTOMER DRAWING		SCALE 4:1 SHEET 1 OF 1 REV A
		A3 00779 C-1986345		

单击下面可查看定价，库存，交付和生命周期等信息

[>>TE Connectivity\(泰科\)](#)