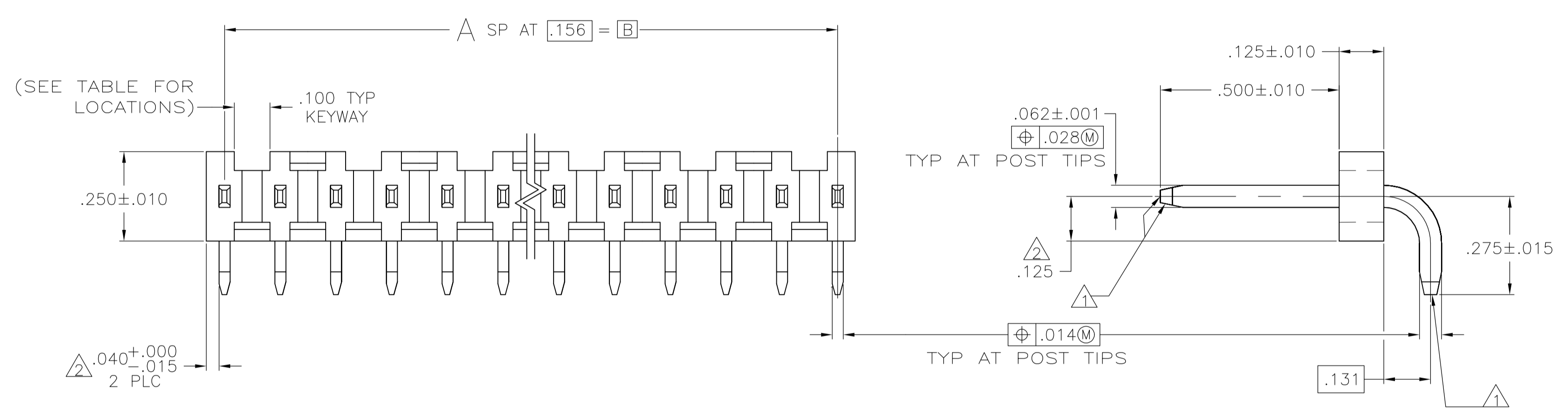
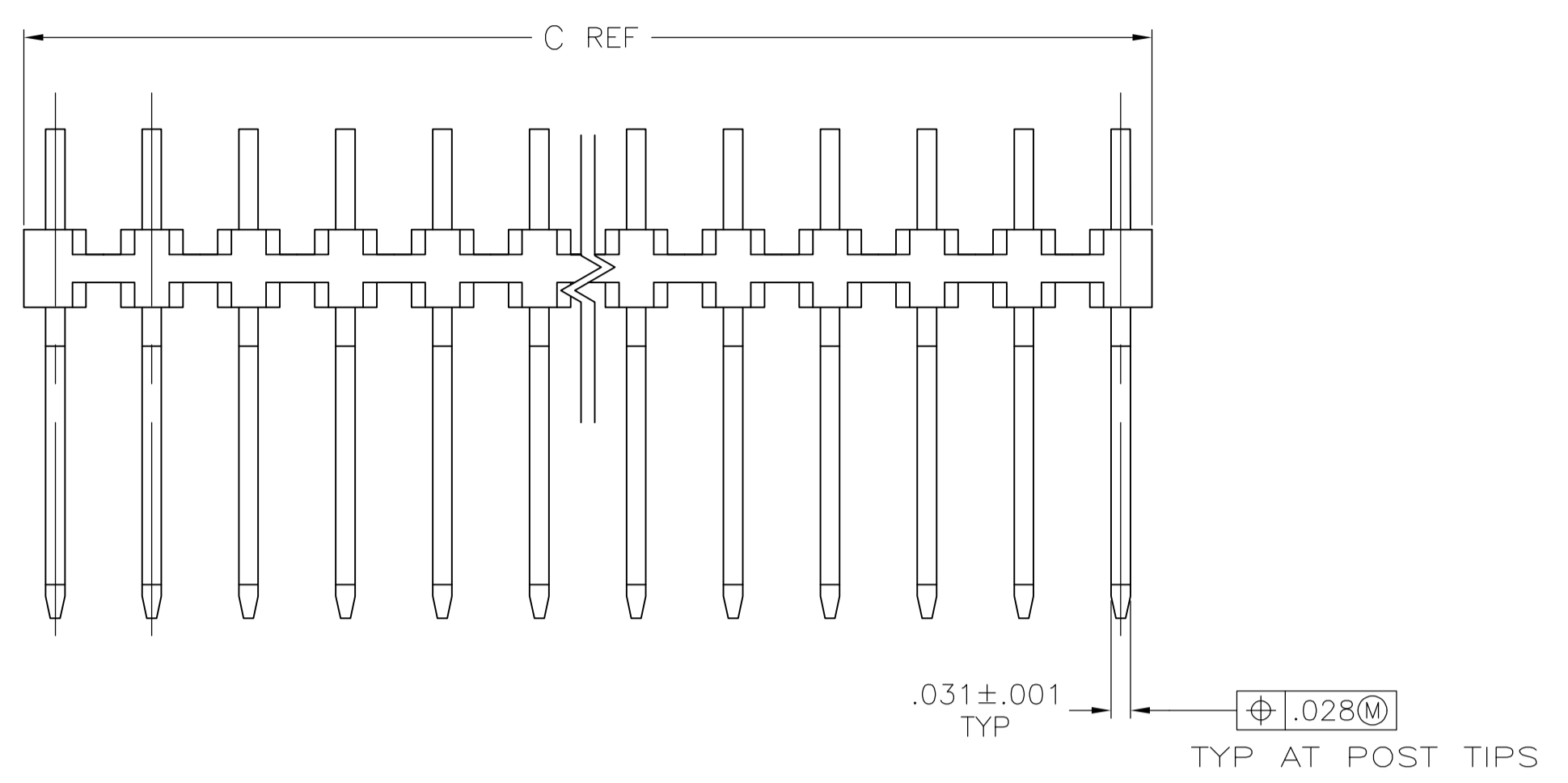
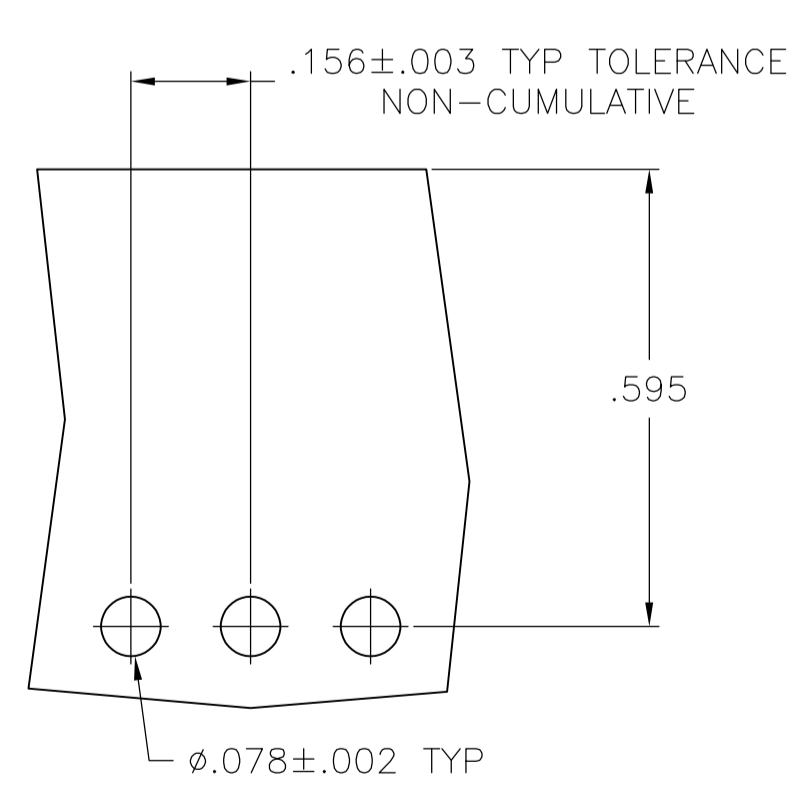


LOC		DIST		REVISIONS			
P	LTR	DESCRIPTION	DATE	DWN	APVD		
R1	ECO-05-016271		25FEB06	BSV	JR		
R2	REVISED PER ECO-09-020774		22AUG09	KK	AEG		

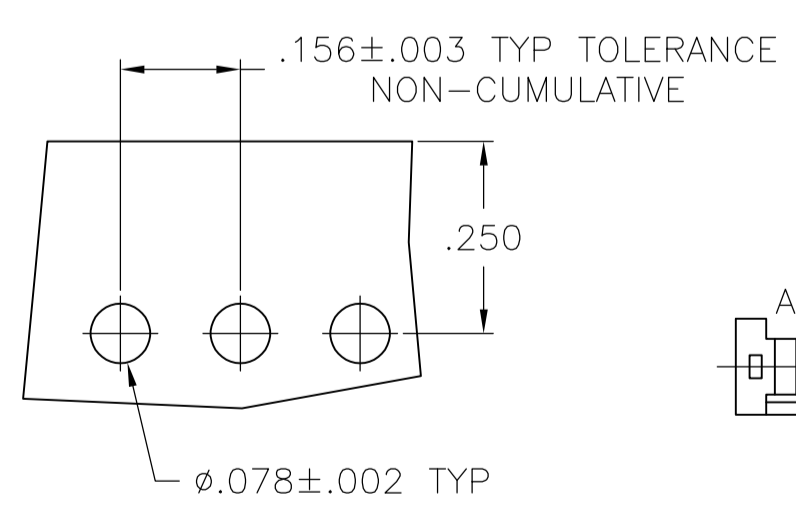
- ① THE TIPS OF THE POSTS WILL NOT BE PLATED.
- ② THE NOTED DIMENSIONS APPLY AT THE INTERSECTION OF THE POST AND THE HOUSING.
- ③ .000050-.000150 BRIGHT TIN-LEAD.
- ④ .000050-.000150 MATTE TIN.
- ⑤ ROHS 2002/95/EC COMPLIANT.
- ⑥ OBSOLETE PARTS: OBSOLETE CIS STREAMLINING PER D.RENAUD/D.SINISI



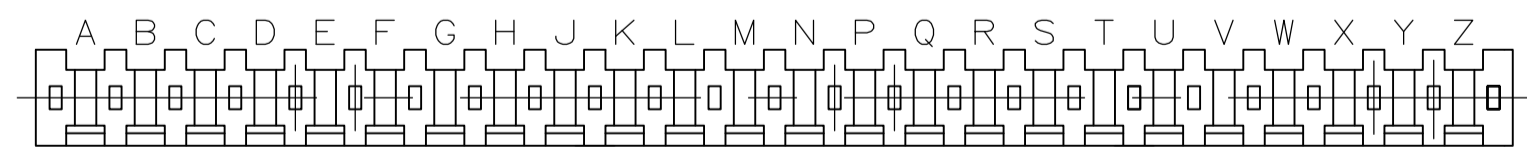
③ .040 ± .000
 - .015
 2 PLC



TO SUPPORT MATING CONNECTOR ON BOARD



FOR MOUNTING HEADER FLUSH TO BOARD EDGE



KEYWAY LOCATIONS (REF-SEE TABLE)
 (MATING LENGTH OF POST ON NEAR SIDE)
 SCALE: 2:1

FINISH	KEYWAY LOCATIONS	NO OF KEYWAY	C	B	A	NO OF POSN	ASSEMBLY PART NUMBER
	A,C,E,H,K,M,Q,S,U,W,Y	11	3.855	3.744	24	25	7-87194-4
	A,C,E,G,J,L,N,Q,S,U,W,Y	12	3.699	3.588	23	24	7-87194-3
	A,D,G,K,N,R,U,X	8	3.543	3.432	22	23	7-87194-2
	A,C,E,G,J,L,N,Q,S,U,W	11	3.387	3.276	21	22	7-87194-1
	A,D,G,K,N,R,U	7	3.231	3.120	20	21	7-87194-0
	A,C,E,G,J,L,N,Q,S,U	10	3.075	2.964	19	20	6-87194-9
	B,D,F,J,L,N,Q,S	8	2.919	2.808	18	19	6-87194-8
	A,D,F,J,M,P,S	7	2.763	2.652	17	18	6-87194-7
	A,D,G,K,N,R	6	2.607	2.496	16	17	6-87194-6
	A,C,E,G,J,L,N,Q	8	2.451	2.340	15	16	6-87194-5
	A,D,G,K,N	5	2.295	2.184	14	15	6-87194-4
	A,C,E,G,J,L,N	7	2.139	2.028	13	14	6-87194-3
	A,D,J,M	4	1.983	1.872	12	13	6-87194-2
	A,C,E,G,J,L	6	1.827	1.716	11	12	6-87194-1
	A,D,G,K	4	1.671	1.560	10	11	6-87194-0
	A,C,E,G,J	5	1.515	1.404	9	10	5-87194-9
	A,D,G	3	1.359	1.248	8	9	5-87194-8
	A,C,E,G	4	1.203	1.092	7	8	5-87194-7
	A,C,E	3	1.047	.936	6	7	5-87194-6
	A,C,E	3	.891	.780	5	6	5-87194-5
	A,D	2	.735	.624	4	5	5-87194-4
	A,C	2	.579	.468	3	4	5-87194-3
	A	1	.423	.312	2	3	5-87194-2
	A	1	.267	.156	1	2	5-87194-1
	A,C,E,H,K,M,Q,S,U,W,Y	11	3.855	3.744	24	25	6-87194-4
	A,C,E,G,J,L,N,Q,S,U,W,Y	12	3.699	3.588	23	24	6-87194-3
	A,D,G,K,N,R,U,X	8	3.543	3.432	22	23	6-87194-2
	A,C,E,G,J,L,N,Q,S,U,W	11	3.387	3.276	21	22	6-87194-1
	A,D,G,K,N,R,U	7	3.231	3.120	20	21	6-87194-0
	A,C,E,G,J,L,N,Q,S,U	10	3.075	2.964	19	20	6-87194-9
	B,D,F,J,L,N,Q,S	8	2.919	2.808	18	19	6-87194-8
	A,D,F,J,M,P,S	7	2.763	2.652	17	18	6-87194-7
	A,D,G,K,N,R	6	2.607	2.496	16	17	6-87194-6
	A,C,E,G,J,L,N,Q	8	2.451	2.340	15	16	6-87194-5
	A,D,G,K,N	5	2.295	2.184	14	15	6-87194-4
	A,C,E,G,J,L,N	7	2.139	2.028	13	14	6-87194-3
	A,D,J,M	4	1.983	1.872	12	13	6-87194-2
	A,C,E,G,J,L	6	1.827	1.716	11	12	6-87194-1
	A,D,G,K	4	1.671	1.560	10	11	6-87194-0
	A,C,E,G,J	5	1.515	1.404	9	10	6-87194-9
	A,D,G	3	1.359	1.248	8	9	6-87194-8
	A,C,E,G	4	1.203	1.092	7	8	6-87194-7
	A,C,E	3	1.047	.936	6	7	6-87194-6
	A,C,E	3	.891	.780	5	6	6-87194-5
	A,D	2	.735	.624	4	5	6-87194-4
	A,C	2	.579	.468	3	4	6-87194-3
	A	1	.423	.312	2	3	6-87194-2
	A	1	.267	.156	1	2	6-87194-1
	A,C,E,H,K,M,Q,S,U,W,Y	11	3.855	3.744	24	25	6-87194-4
	A,C,E,G,J,L,N,Q,S,U,W,Y	12	3.699	3.588	23	24	6-87194-3
	A,D,G,K,N,R,U,X	8	3.543	3.432	22	23	6-87194-2
	A,C,E,G,J,L,N,Q,S,U,W	11	3.387	3.276	21	22	6-87194-1
	A,D,G,K,N,R,U	7	3.231	3.120	20	21	6-87194-0
	A,C,E,G,J,L,N,Q,S,U	10	3.075	2.964	19	20	6-87194-9
	B,D,F,J,L,N,Q,S	8	2.919	2.808	18	19	6-87194-8
	A,D,F,J,M,P,S	7	2.763	2.652	17	18	6-87194-7
	A,D,G,K,N,R	6	2.607	2.496	16	17	6-87194-6
	A,C,E,G,J,L,N,Q	8	2.451	2.340	15	16	6-87194-5
	A,D,G,K,N	5	2.295	2.184	14	15	6-87194-4
	A,C,E,G,J,L,N	7	2.139	2.028	13	14	6-87194-3
	A,D,J,M	4	1.983	1.872	12	13	6-87194-2
	A,C,E,G,J,L	6	1.827	1.716	11	12	6-87194-1
	A,D,G,K	4	1.671	1.560	10	11	6-87194-0
	A,C,E,G,J	5	1.515	1.404	9	10	6-87194-9
	A,D,G	3	1.359	1.248	8	9	6-87194-8
	A,C,E,G	4	1.203	1.092	7	8	6-87194-7
	A,C,E	3	1.047	.936	6	7	6-87194-6
	A,C,E	3	.891	.780	5	6	6-87194-5
	A,D	2	.735	.624	4	5	6-87194-4
	A,C	2	.579	.468	3	4	6-87194-3
	A	1	.423	.312	2	3	6-87194-2
	A	1	.267	.156	1	2	6-87194-1

RECOMMENDED BOARD LAYOUTS

THIS DRAWING IS A CONTROLLED DOCUMENT. DIN L A MAYER 14APR87
 CHK P deJONG 19MAY87
 APVD P deJONG 19MAY87

TOLERANCES UNLESS OTHERWISE SPECIFIED:
 0 PLC ± -
 1 PLC ± -
 2 PLC ± -
 3 PLC ± .005
 4 PLC ± -
 ANGLES ± -

MATERIAL HOUSING - FLAME RETARDANT THERMOPLASTIC; COLOR - BLACK; POSTS - BRASS

FINISH SEE TABLE

WEIGHT -

SIZE A1

CAGE CODE 00779

DRAWING NO. 87194

RESTRICTED TO

CUSTOMER DRAWING

SCALE 4:1

SHEET 1 of 1

REV R2

THIS DRAWING IS UNPUBLISHED. RELEASED FOR PUBLICATION. ALL RIGHTS RESERVED. BY TYCO ELECTRONICS CORPORATION.

TYCO ELECTRONICS CORPORATION

Harrisburg, Pa 17105-3608

NAME HEADER ASSEMBLY, MOD 1, RIGHT ANGLE, SINGLE ROW, .156CL

APPLICATION SPEC 108-25016

单击下面可查看定价，库存，交付和生命周期等信息

[>>TE Connectivity\(泰科\)](#)