

REVISIONS

P	LTR	DESCRIPTION	DATE	DWN	APVD
	A	INITIAL RELEASE	07MAY2015	DL	CW
	B	ECR-20-009510	28DEC2020	BS	CW
	BI	ECR-21-105988	28JUL2021	BS	CW

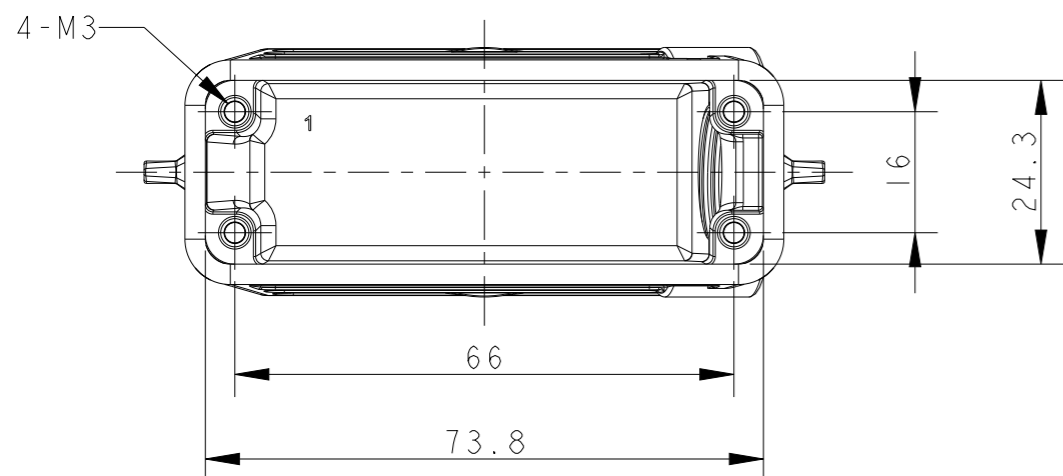
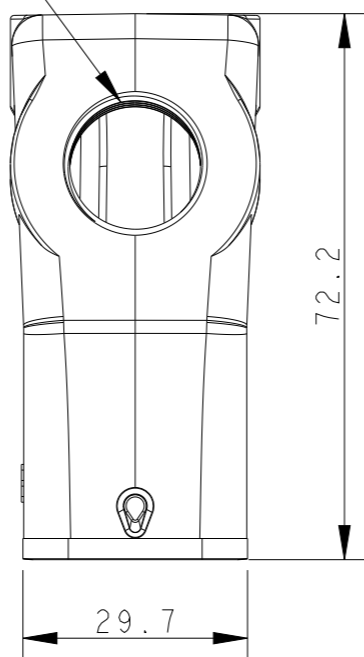
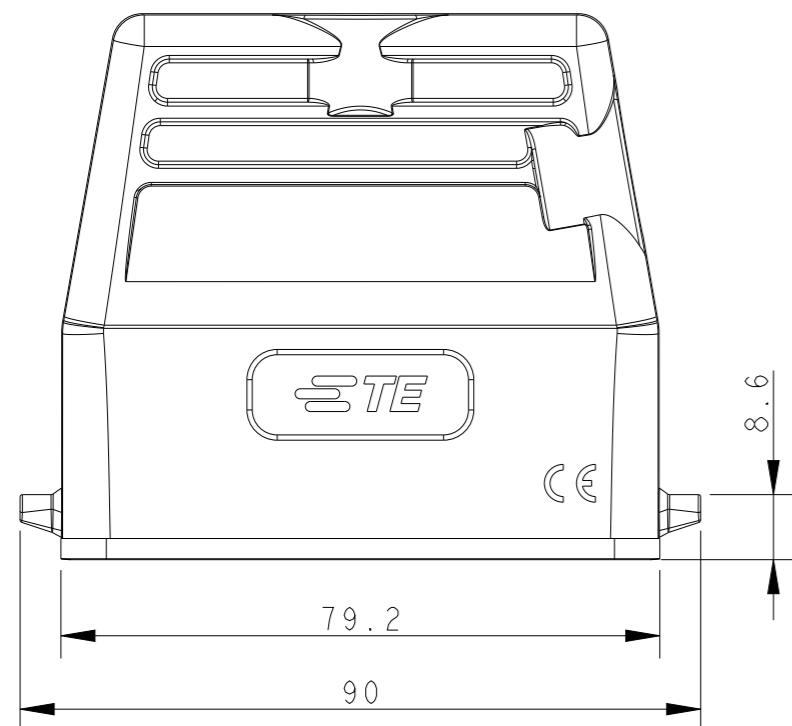
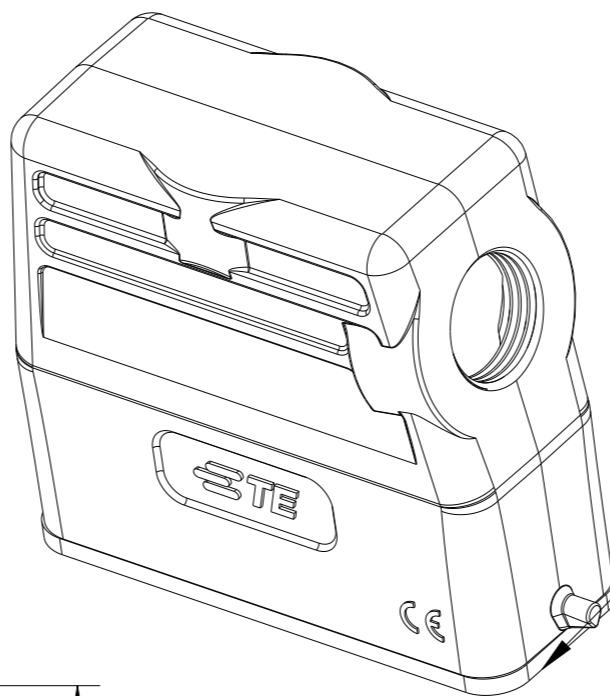
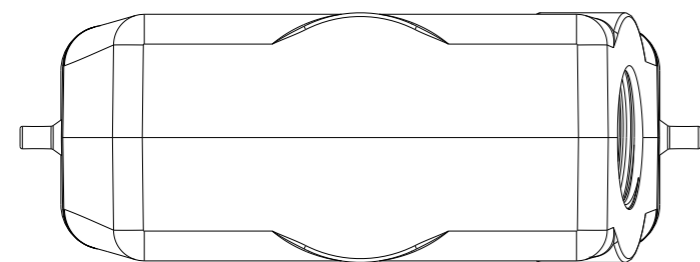
FOR "T1339160116-100"  
SEAL FIXED BY GLUE

NOTES:

- 1. TECHNICAL CHARACTERISTICS:  
BODY MATERIAL: DIE CAST ALUMINIUM ALLOY  
SURFACE TREATMENT: POWDER-COATED, GRAY  
DEGREE OF PROTECTION: IP65 (MATED)

注释:

- 1. 技术参数:  
主体材料: 铝合金  
表面处理: 粉末喷涂, 灰色  
防护等级: IP65(配合)



T1339160111-000	H16A-TSH-PG11	PG11	-
T1339160116-000	H16A-TSH-PG16	PG16	-
T1339160116-100	H16A-TSH-PG16	PG16	SEAL FIXED BY GLUE
T1339160120-000	H16A-TSH-M20	M20	-
T1339160121-000	H16A-TSH-PG21	PG21	-
T1339160125-000	H16A-TSH-M25	M25	-
ASSEMBLY PART NUMBER	ASSEMBLY PART DESCRIPTION	PG/M	REMARK

THIS DRAWING IS A CONTROLLED DOCUMENT.

DIMENSIONS:	TOLERANCES UNLESS OTHERWISE SPECIFIED:
mm	
	0 PLC ±-
	1 PLC ±-
	2 PLC ±-
	3 PLC ±-
	4 PLC ±-
	ANGLES ±-
	FINISH ±-
MATERIAL	
-	-
-	-

DWN	07MAY2015
DAVID LI	
CHK	07MAY2015
CHRIS WANG	
APVD	07MAY2015
XU XIANG	
PRODUCT SPEC	108-137010
APPLICATION SPEC	114-137010
WEIGHT	-
CUSTOMER DRAWING	

		TE Connectivity	
		NAME H16A-TSH-PG/M	
SIZE	CAGE CODE	DRAWING NO	RESTRICTED TO
A3	-	©-T13391601XXX00	
SCALE 1:1		SHEET 1 OF 1	REV BI

单击下面可查看定价，库存，交付和生命周期等信息

[>>TE Connectivity\(泰科\)](#)