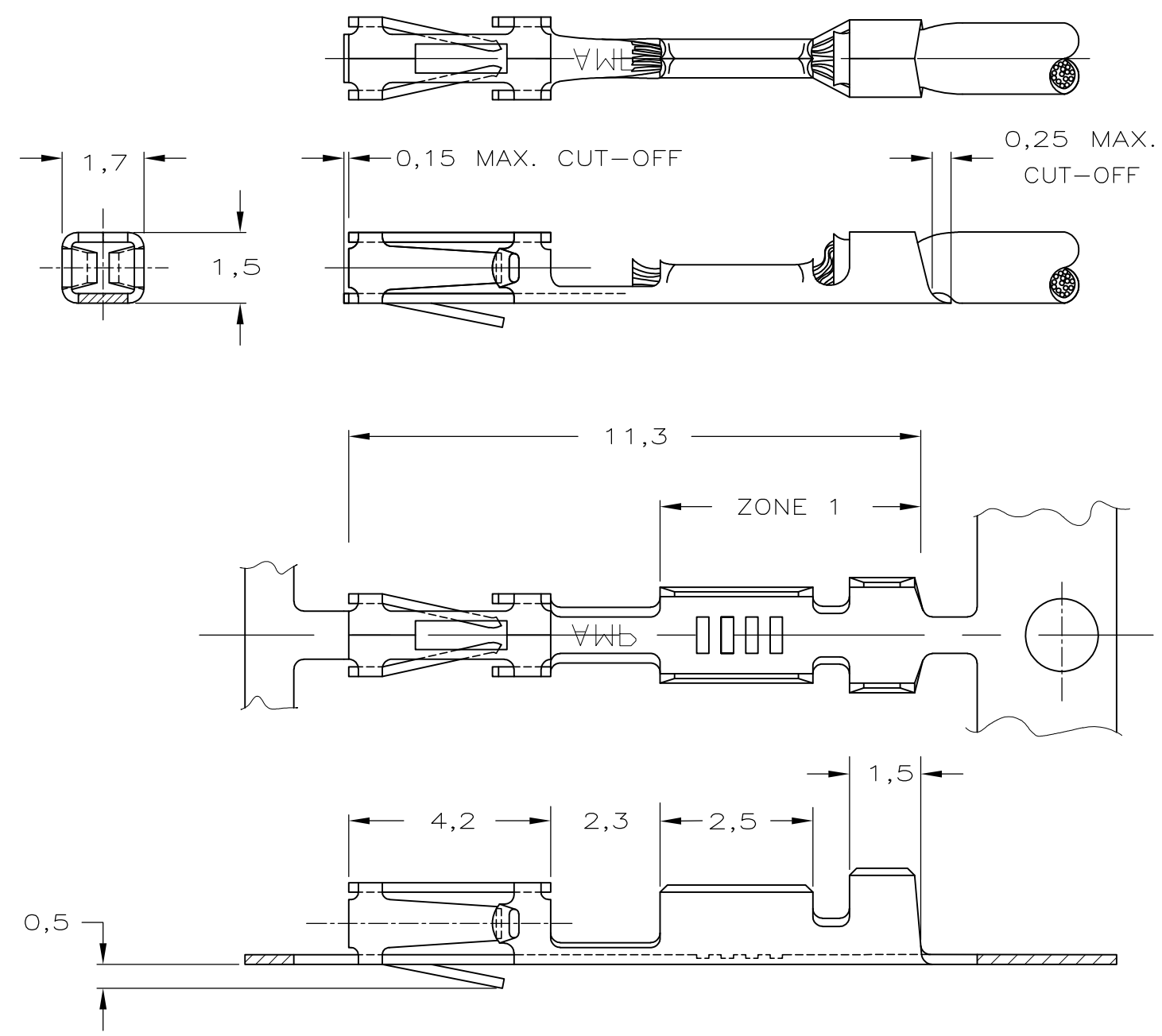


THIS DRAWING IS UNPUBLISHED. RELEASED FOR PUBLICATION  
 © COPYRIGHT - By - ALL RIGHTS RESERVED.

LOC	DIST	REVISIONS					
		P	LTR	DESCRIPTION	DATE	DWN	APVD
-	-		A1	REVISED PER ECO-11-005294	02APR11	RK	HMR

NOTES:

- 1 FOR MINI-APPLICATOR CRIMPING.
- 2 UNDERCOATING: 1,25µm Ni, SELECTIVE: 0,8µm Au, ZONE 1: 0,5µm MIN. GOLDFLASH.
- 3 UNDERCOATING: 1,25µm Ni, SELECTIVE: 0,8µm Au, REMAINDER: GOLDFLASH.
- 4 ZONE 1: BRIGHT TIN/LEAD PLATED.
- 5 PRE-TIN PLATED 2,0µm.
- 6 MATERIAL: PHOSPHORBRONZE



TIN	5	167024-3	167021-3
GOLD	3	167024-2	167021-2
GOLD	2	167024-1	167021-1
FINISH		LOOSE PIECE	PARTNUMBER

WIRE RANGE :  
 0,03-0,09 mm<sup>2</sup> 28-32 AWG  
 INSULATION RANGE :  
 0,5-1,02 DIA. .020-.040 DIA.

THIS DRAWING IS A CONTROLLED DOCUMENT.		DWN	03 DEC 98		<b>STE</b> TE Connectivity											
DIMENSIONS: mm		CHK	-													
TOLERANCES UNLESS OTHERWISE SPECIFIED:		APVD	-													
<table border="0"> <tr><td>0 PLC</td><td>± -</td></tr> <tr><td>1 PLC</td><td>± -</td></tr> <tr><td>2 PLC</td><td>± -</td></tr> <tr><td>3 PLC</td><td>± -</td></tr> <tr><td>4 PLC</td><td>± -</td></tr> <tr><td>ANGLES</td><td>± -</td></tr> </table>		0 PLC	± -	1 PLC		± -	2 PLC	± -	3 PLC	± -	4 PLC	± -	ANGLES	± -	PRODUCT SPEC	-
0 PLC	± -															
1 PLC	± -															
2 PLC	± -															
3 PLC	± -															
4 PLC	± -															
ANGLES	± -															
MATERIAL	FINISH	APVD	E.LEIJTENS		NAME											
-	-	APPLICATION SPEC	-		AMP MODU MOD.4 RECEPTACLE, S.C.P. STRIP											
		WEIGHT	-		SIZE											
		CUSTOMER DRAWING		SCALE	CAGE CODE											
				1 OF 1	DRAWING NO											
				1 OF 1	RESTRICTED TO											
				1 OF 1	REV											
				1 OF 1	A1											

单击下面可查看定价，库存，交付和生命周期等信息

[>>TE Connectivity\(泰科\)](#)