

THIS DRAWING IS UNPUBLISHED.

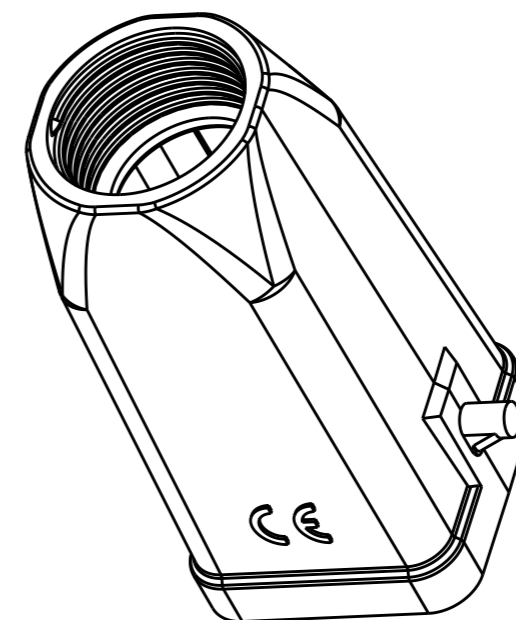
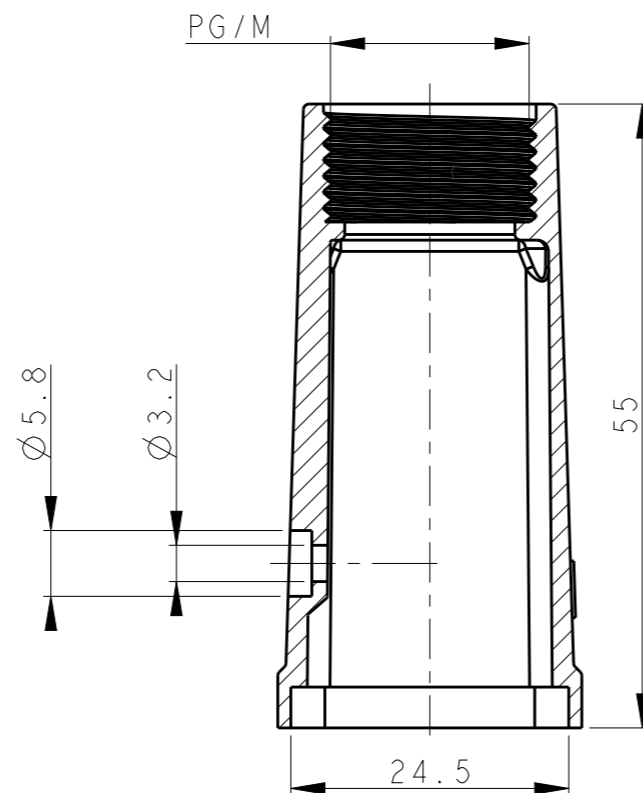
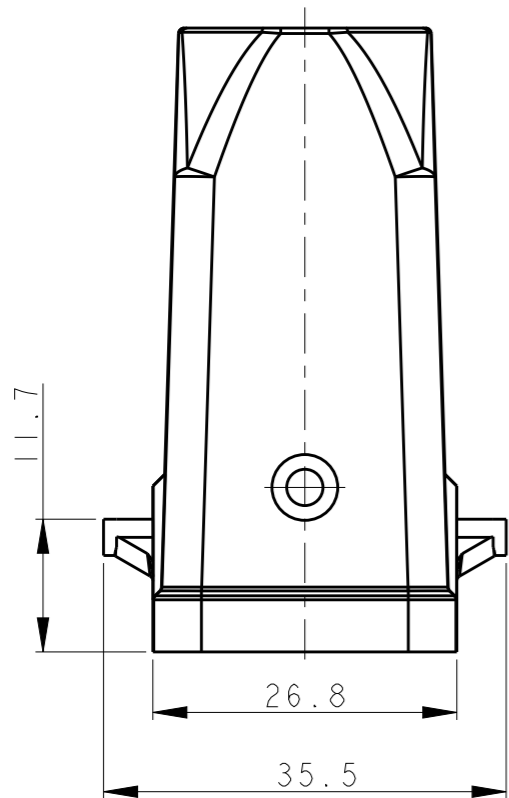
RELEASED FOR PUBLICATION

20

© COPYRIGHT 20 BY - ALL RIGHTS RESERVED.

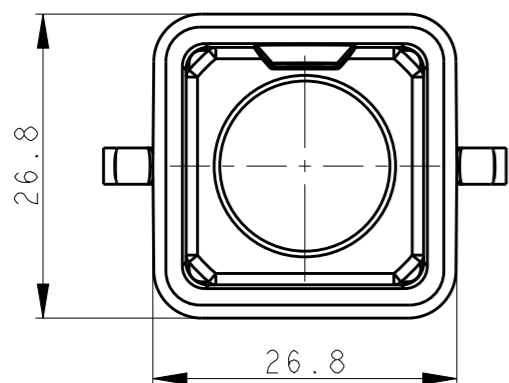
REVISIONS

| P | LTR | DESCRIPTION | DATE | DWN | APVD |
|---|-----|---------------|-----------|-----|------|
| B | | ECR-18-016778 | 27OCT2018 | GY | CW |
| C | | ECR-18-017120 | 16MAR2019 | BS | CW |
| D | | ECR-20-006618 | 10JUN2020 | CD | CW |
| E | | ECR-20-008412 | 26NOV2020 | BS | CW |



NOTES:
 1. TECHNICAL CHARACTERISTICS:
 BODY MATERIAL: PC
 DEGREE OF PROTECTION: IP65 (MATED)

注释:
 1. 技术参数:
 主体材料: PC
 防护等级: IP65(配合)



| | | | |
|---------------------|--------------------------|--|-------------------------|
| T1329031111-000 | H3A-TG-PG11 | H3A PLASTIC HOOD, TOP ENTRY PG11, 2 EAR, GREY H3A塑料上壳, 顶出PG11, 2耳, 灰色 | PG11 |
| T1329031120-000 | H3A-TG-M20 | H3A PLASTIC HOOD, TOP ENTRY M20, 2 EAR, GREY H3A塑料上壳, 顶出M20, 2耳, 灰色 | M20 |
| PART NUMBER 零件料号 | PART DESCRIPTION 零件描述 | | PG/M THREAD PG/M 螺纹孔 |

THIS DRAWING IS A CONTROLLED DOCUMENT.

DWN 22APR2015

DAVID LI

CHK 22APR2015

CHRIS WANG

APVD 22APR2015

XU XIANG

PRODUCT SPEC

108-137134

APPLICATION SPEC

114-137134

WEIGHT -

CUSTOMER DRAWING



TE Connectivity

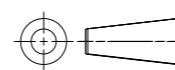
NAME H3A-TG-PG/M

SIZE A3 CAGE CODE - DRAWING NO. C-T13290311XXX00 RESTRICTED TO -

SCALE 3:2 SHEET 1 OF 1 REV E

DIMENSIONS:

mm



TOLERANCES UNLESS OTHERWISE SPECIFIED:

| | |
|--------|----|
| 0 PLC | ±- |
| 1 PLC | ±- |
| 2 PLC | ±- |
| 3 PLC | ±- |
| 4 PLC | ±- |
| ANGLES | ±- |

MATERIAL -

FINISH -

单击下面可查看定价，库存，交付和生命周期等信息

[>>TE Connectivity\(泰科\)](#)