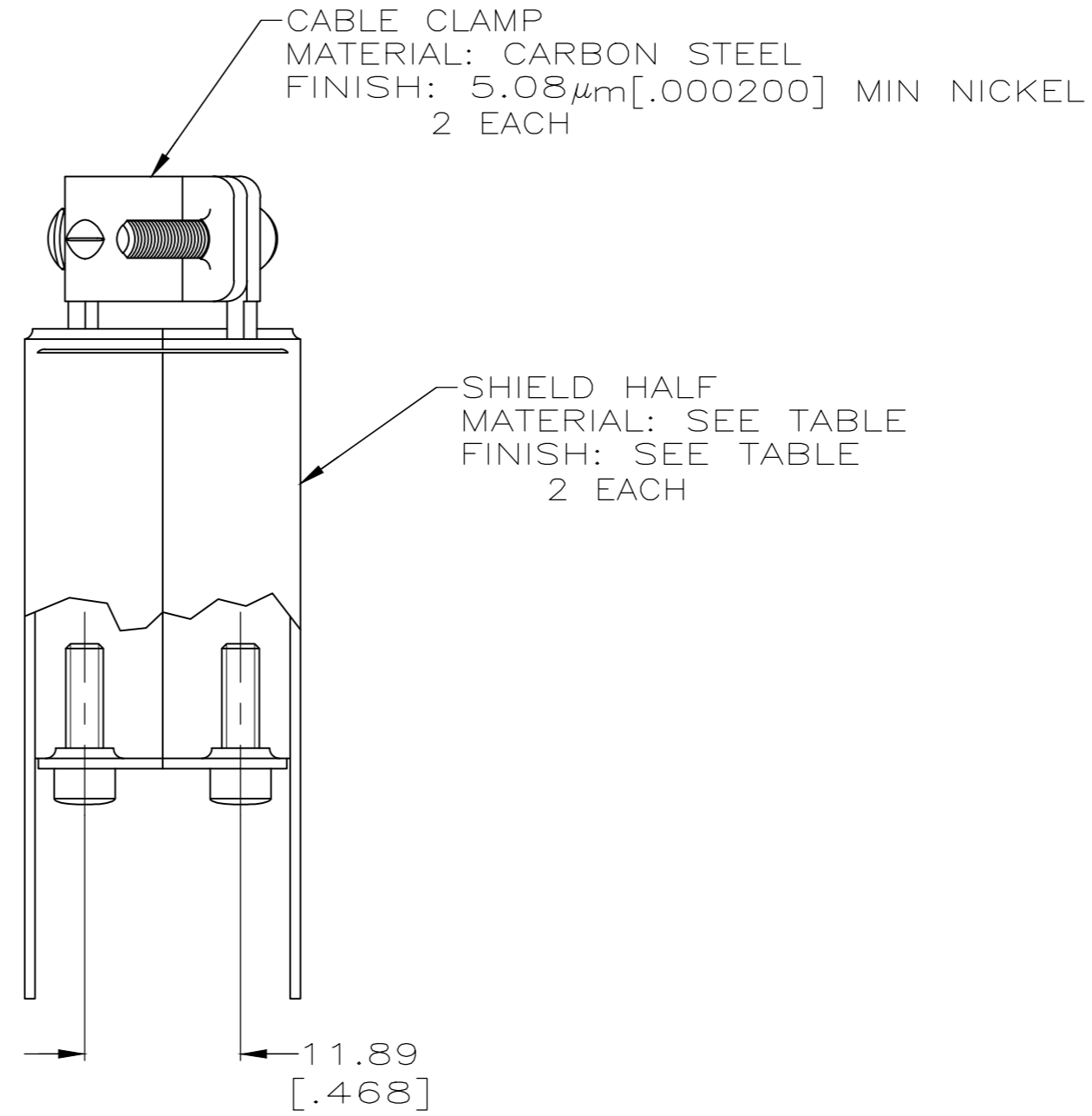
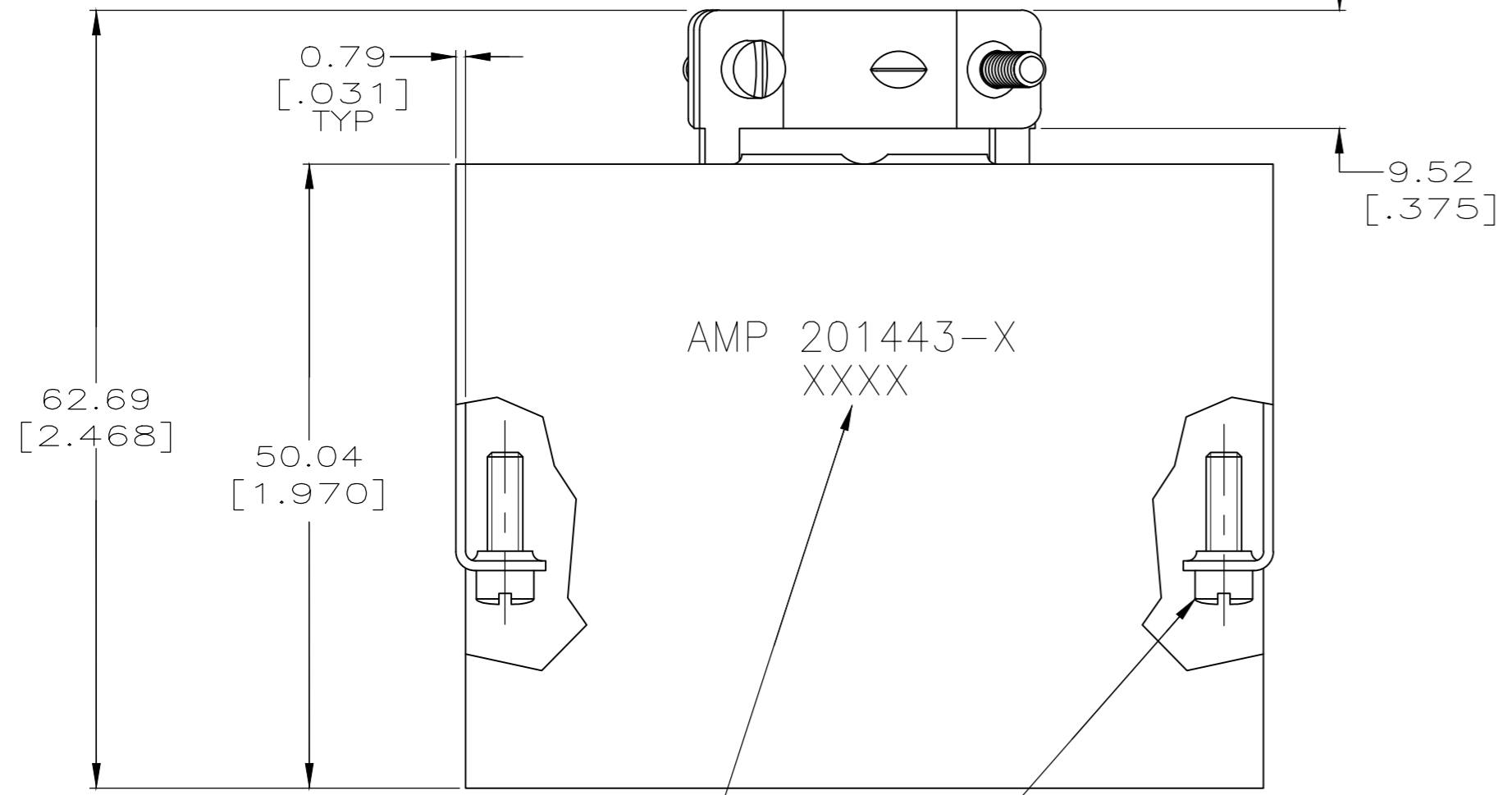
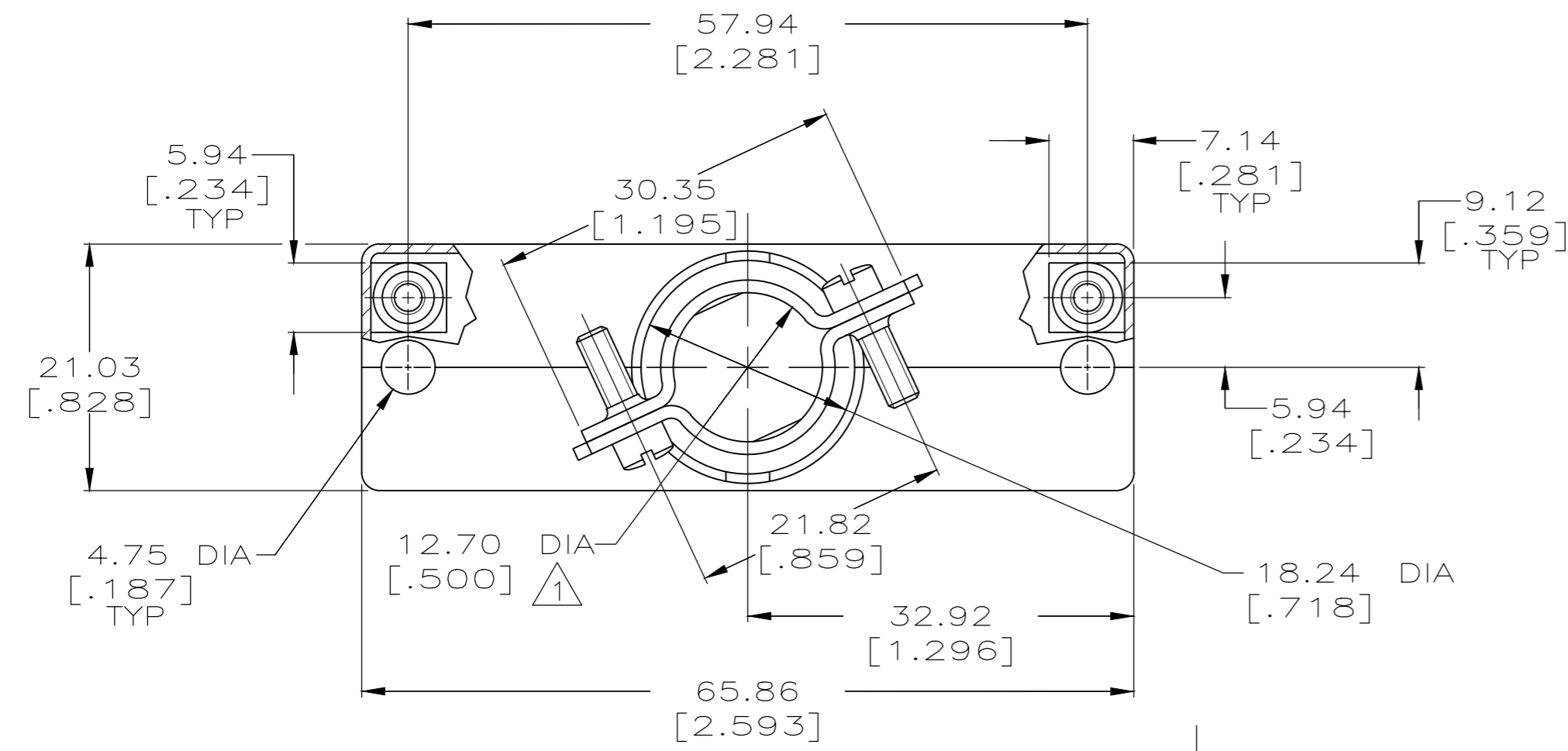


THIS DRAWING IS UNPUBLISHED. RELEASED FOR PUBLICATION
 © COPYRIGHT - TE Connectivity Ltd. ALL RIGHTS RESERVED.

REVISIONS				
P	LTR	DESCRIPTION	DATE	APVD
P		REVISED PER ECO-18-007239	18MAY2018	KH MZ



AMP, PART NUMBER AND DATE CODE, BLACK INK STAMPED OR LASER MARKED IN THIS AREA

AMP 201443-X
XXXX

#4-40 UNC-2A SCREW
MATERIAL: CARBON STEEL
FINISH: ZINC PLATED
6 EACH

△ CLAMP AREA ACCEPTS 50 WIRES OF 1.65 [.065] MAX OUTSIDE DIAMETER.

5.08µm [.000200] MIN NICKEL	CARBON STEEL	201443-2
CLEAR ANODIZED	ALUMINUM ALLOY	201443-1
FINISH	MATERIAL	PART NO
SHIELD HALF		

THIS DRAWING IS A CONTROLLED DOCUMENT.		DWN	K.FOLTZ	10/26/94	 TE Connectivity Ltd.		
DIMENSIONS:		CHK	R.STONE	11/07/94			
mm [INCHES]		APVD	T.COULSON	01/26/95			
TOLERANCES UNLESS OTHERWISE SPECIFIED:		PRODUCT SPEC					
0 PLC	± -	APPLICATION SPEC			NAME	SHIELD KIT, UNASSEMBLED, LONG 50 POSITION, M SERIES	
1 PLC	± -				SIZE	A2	
2 PLC	± 0.38 [.015]				CAGE CODE	00779	
3 PLC	± -				DRAWING NO	C=201443	
4 PLC	± -				RESTRICTED TO	-	
ANGLES	± -				WEIGHT	0	
MATERIAL	SEE CALLOUTS	FINISH	SEE CALLOUTS		CUSTOMER DRAWING	SCALE	2:1
					SHEET	1 of 1	
					REV	P	

单击下面可查看定价，库存，交付和生命周期等信息

[>>TE Connectivity\(泰科\)](#)