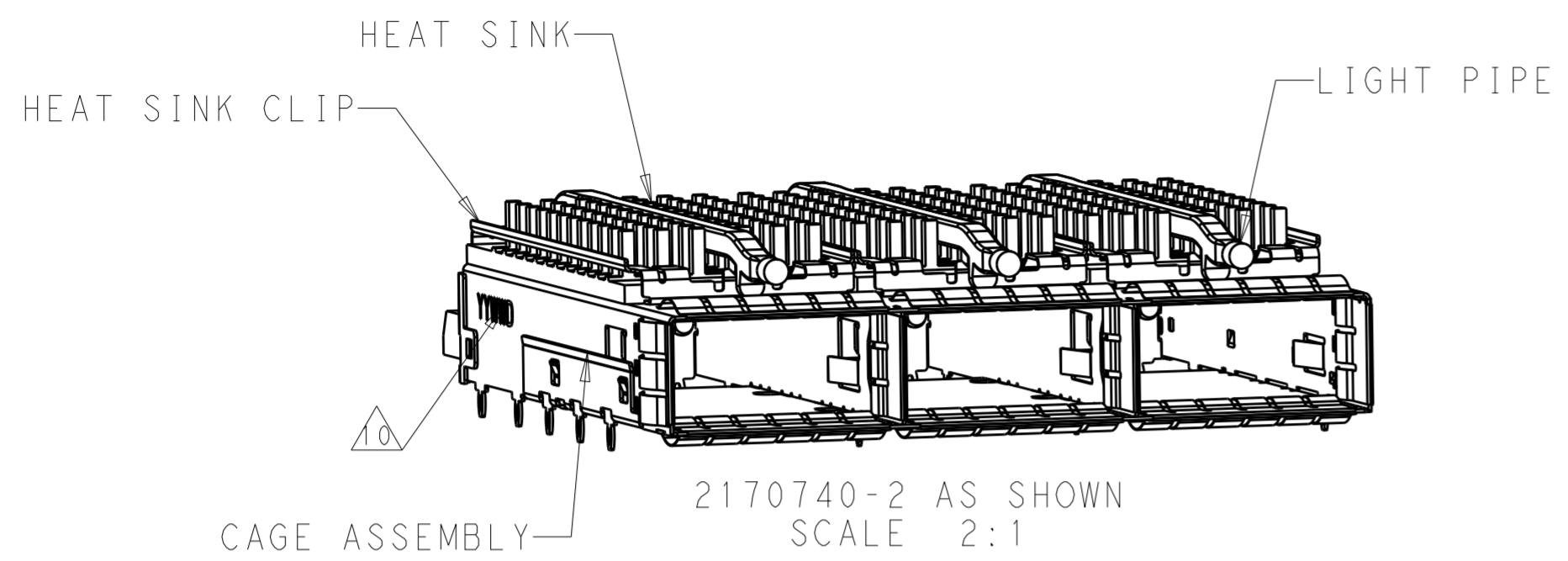


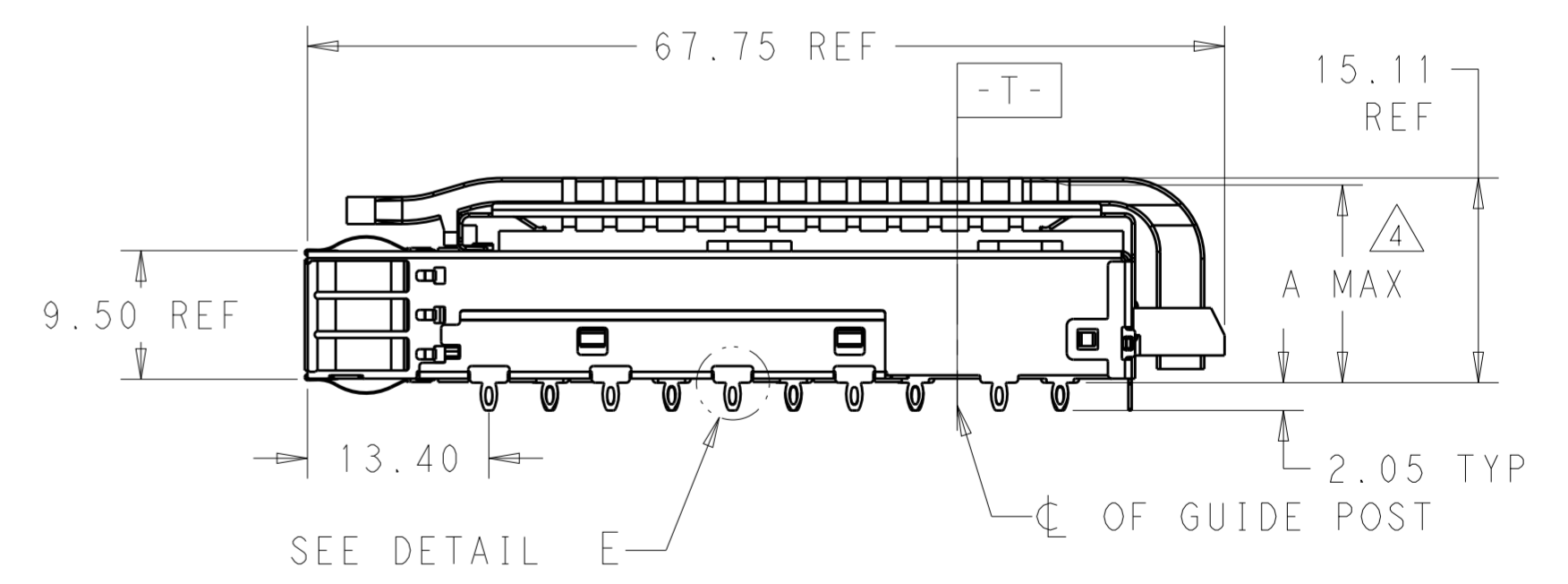
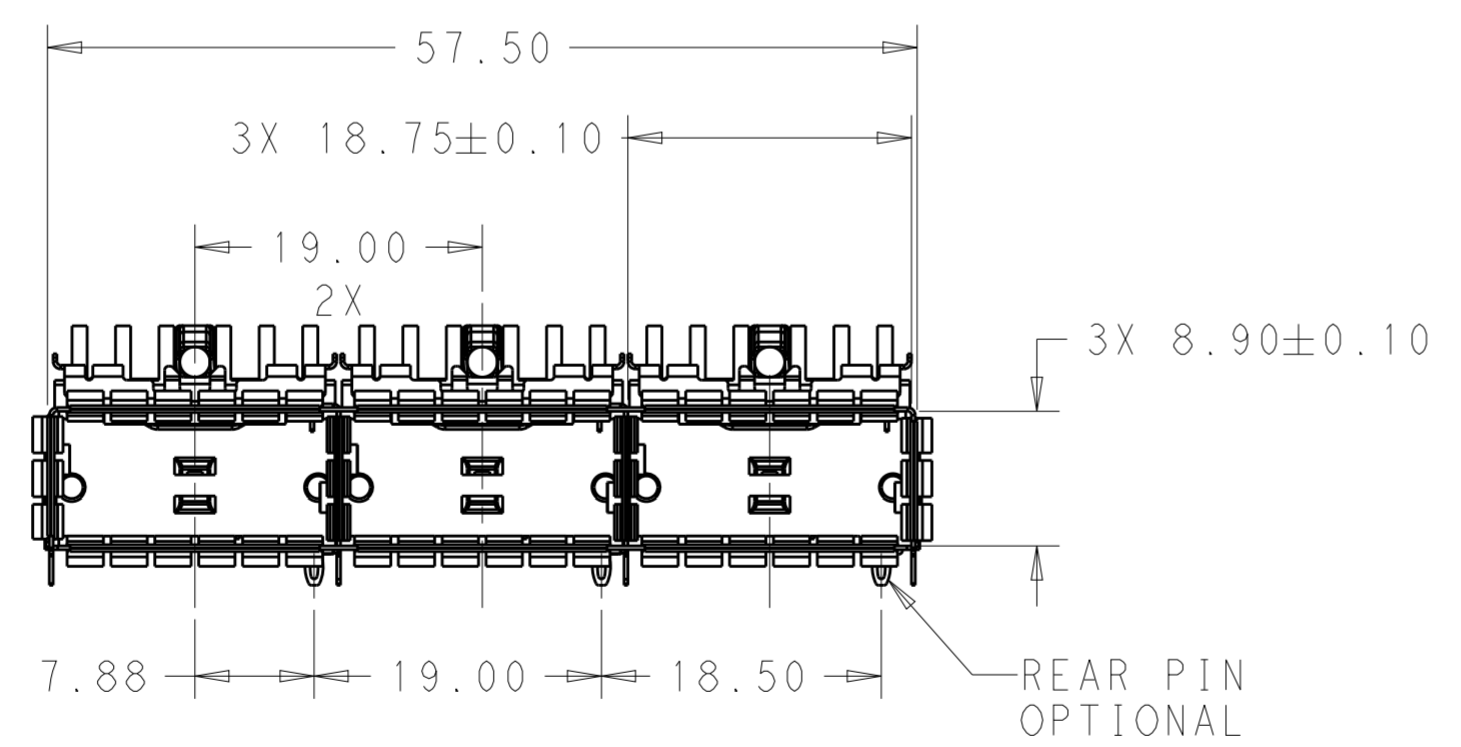
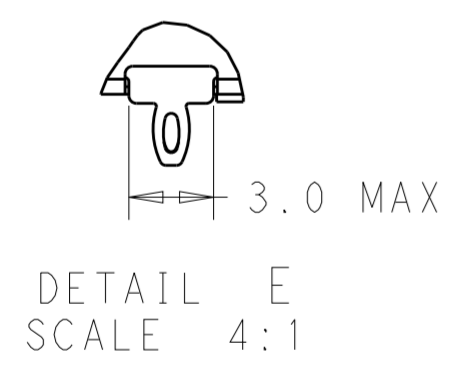
THIS DRAWING IS UNPUBLISHED. RELEASED FOR PUBLICATION 20
 © COPYRIGHT 20 BY - ALL RIGHTS RESERVED.

LOC	DIST	REVISIONS					
GP	00	P	LTR	DESCRIPTION	DATE	DWN	APVD
		A		RELEASE	01NOV2016	JY	SH



2170740-2 AS SHOWN
SCALE 2:1

- COMPONENTS
 CAGE ASSEMBLY: NICKEL-SILVER ALLOY
 HEAT SINK: ALUMINUM/BLACK ANODIZE
 HEAT SINK CLIP: STAINLESS STEEL
 EMI SPRING: COPPER ALLOY/NICKEL PLATE
 LIGHT PIPE: CLEAR POLYCARBONATE
 ORGANIZER: POLYESTER WITH UL 94V-0
- REFERENCE APPLICATION SPECIFICATION 114-32023 FOR RECOMMENDED DRILL HOLE DIAMETER AND PLATING THICKNESS
- DATUM AND BASIC DIMENSION ESTABLISHED BY CUSTOMER
- DIMENSION APPLIES WITH MODULE INSERTED IN CAGE
- HEAT SINKS, HEAT SINK CLIPS AND LIGHT PIPES ARE SHIPPED ASSEMBLED ON CAGE
- MINIMUM PC BOARD THICKNESS: SINGLE SIDED: 1.57 MIN
DOUBLE SIDED: 2.20 MIN
- DATUM **-A-** IS TOP SURFACE OF THE HOST BOARD.
- THESE HOLES ARE OPTIONAL WHEN THE REAR PINS ARE REMOVED.
- MATES WITH QSFP28 MSA COMPATIBLE TRANSCEIVER.
- DATE CODE (YYWWD) MARKED APPROXIMATELY AS SHOWN.
- NOTED DIMENSIONS ONLY APPLY TO CAGE ASSEMBLY WITH LIGHT PIPE.

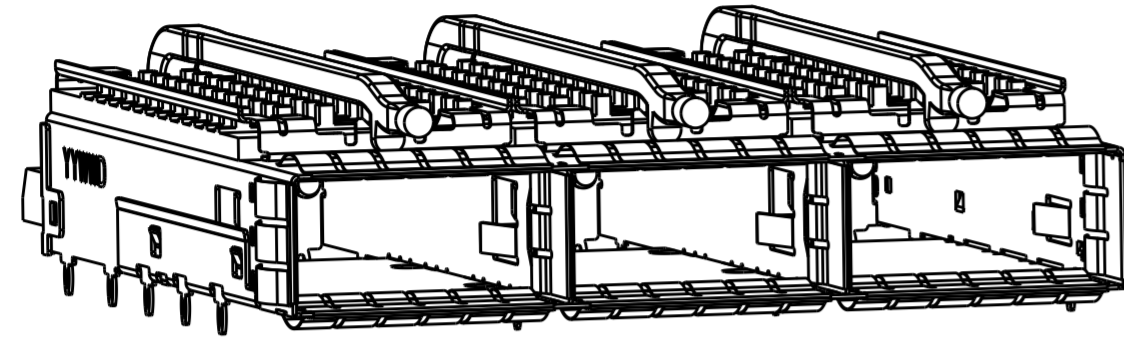


THIS DRAWING IS A CONTROLLED DOCUMENT.		DWN BING LIU 22APR2014	STE TE Connectivity	
		CHK JASON YANG 22APR2014		
		APVD SEAN HAN 22FEB2016	NAME RECEPTACLE CAGE ASSEMBLY WITH HEAT SINKS AND LIGHT PIPES, THRU BEZEL, 1X3, QSFP28	
DIMENSIONS: mm		PRODUCT SPEC 108-19428	SIZE A200779	DRAWING NO C-2170740
TOLERANCES UNLESS OTHERWISE SPECIFIED:		APPLICATION SPEC 114-32023	RESTRICTED TO	
0 PLC ±		WEIGHT	SCALE 1:1 SHEET 1 OF 9 REV A	
1 PLC ±0.25		CUSTOMER DRAWING		
2 PLC ±0.2				
3 PLC ±				
4 PLC ±				
ANGLES ±				
FINISH ±				
SEE NOTES		SEE NOTES		

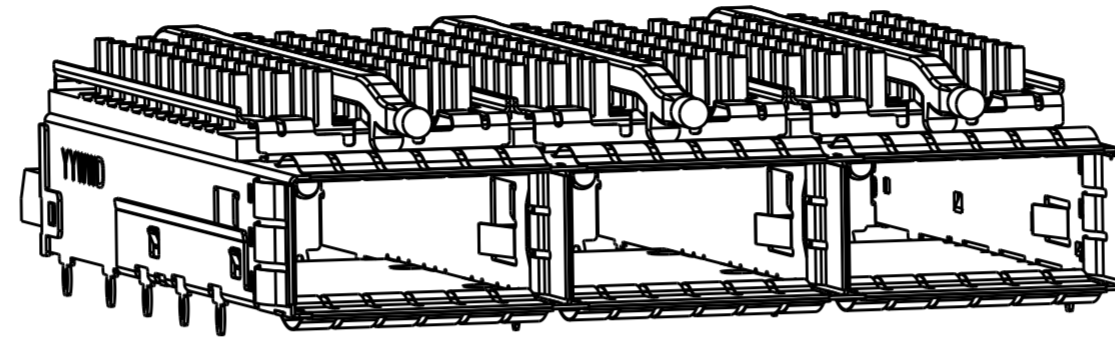
THIS DRAWING IS UNPUBLISHED. RELEASED FOR PUBLICATION 20
 © COPYRIGHT 20 BY - ALL RIGHTS RESERVED.

LOC		DIST		REVISIONS			
P	LTR	DESCRIPTION		DATE	DWN	APVD	
-	-	SEE SHEET 1		-	-	-	

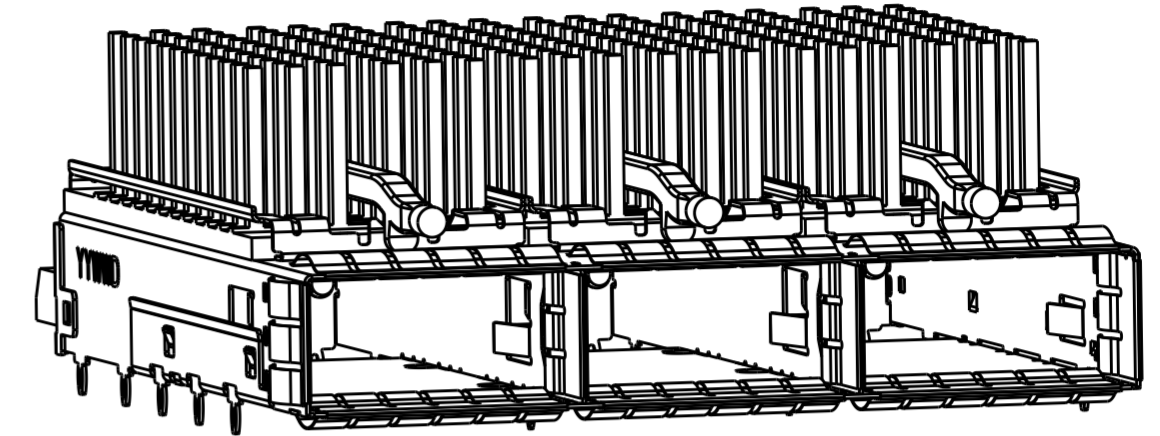
HEAT SINK OPTION



PCI HEAT SINK
SCALE 2:1

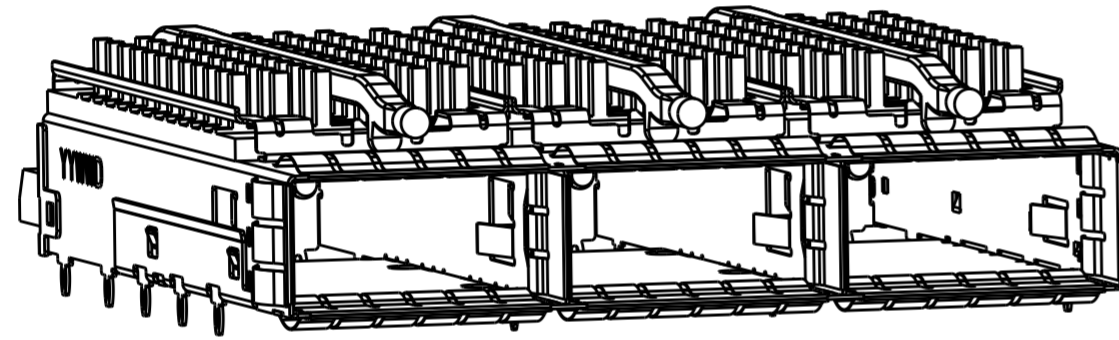


SAN HEAT SINK
SCALE 2:1

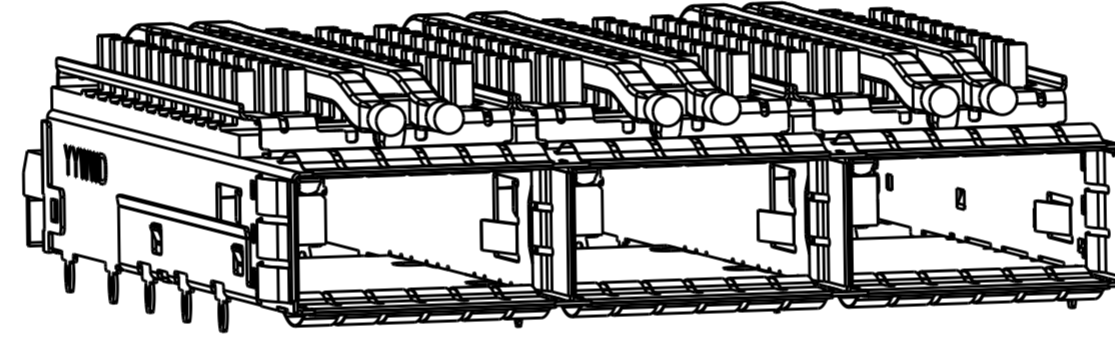


NETWORKING
SCALE 2:1

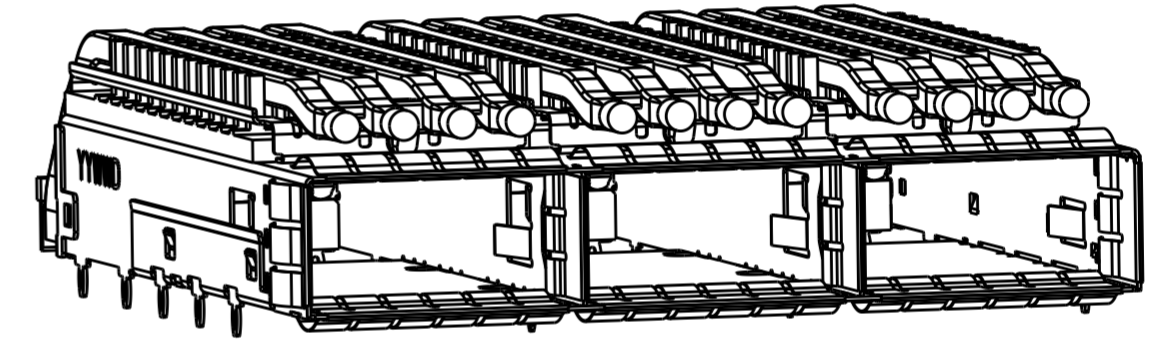
LIGHT PIPE OPTION



SINGLE LIGHT PIPE
SCALE 2:1

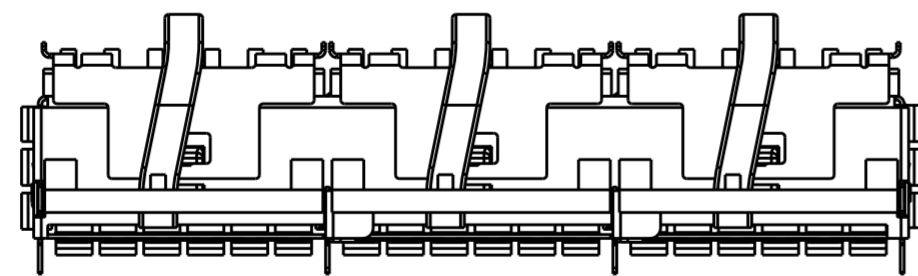


DUAL LIGHT PIPE
SCALE 2:1

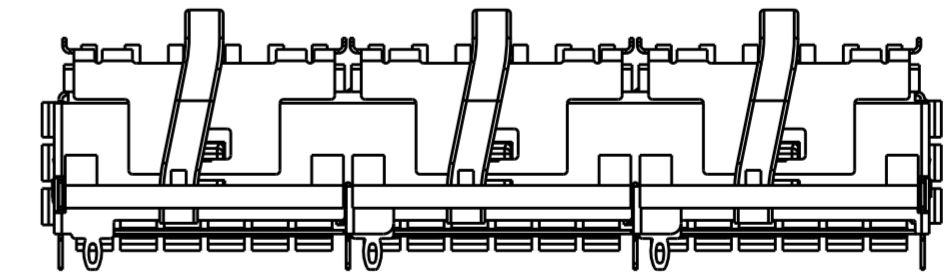


QUAD LIGHT PIPE
SCALE 2:1

OF REAR LEGS OPTIONS



0 REAR PIN
SCALE 2:1




1 REAR PIN
SCALE 2:1

THIS DRAWING IS A CONTROLLED DOCUMENT.		DWN BING LIU 22APR2014	TE Connectivity	
DIMENSIONS: mm		CHK JASON YANG 22APR2014		
TOLERANCES UNLESS OTHERWISE SPECIFIED:		APVD SEAN HAN 22FEB2016	NAME RECEPTACLE CAGE ASSEMBLY WITH HEAT SINKS AND LIGHT PIPES, THRU BEZEL, 1X3, QSFP28	
0 PLC ± 1 PLC ±0.25 2 PLC ±0.2 3 PLC ± 4 PLC ± ANGLES ± FINISH		PRODUCT SPEC 108-19428	SIZE A200779	DRAWING NO C-2170740
MATERIAL SEE NOTES material_2		APPLICATION SPEC 114-32023	RESTRICTED TO	
FINISH SEE NOTES finish_spec_2		WEIGHT -	SCALE 1:1	SHEET 2 OF 9
		CUSTOMER DRAWING	REV A	

THIS DRAWING IS UNPUBLISHED. RELEASED FOR PUBLICATION 20
 © COPYRIGHT 20 BY - ALL RIGHTS RESERVED.

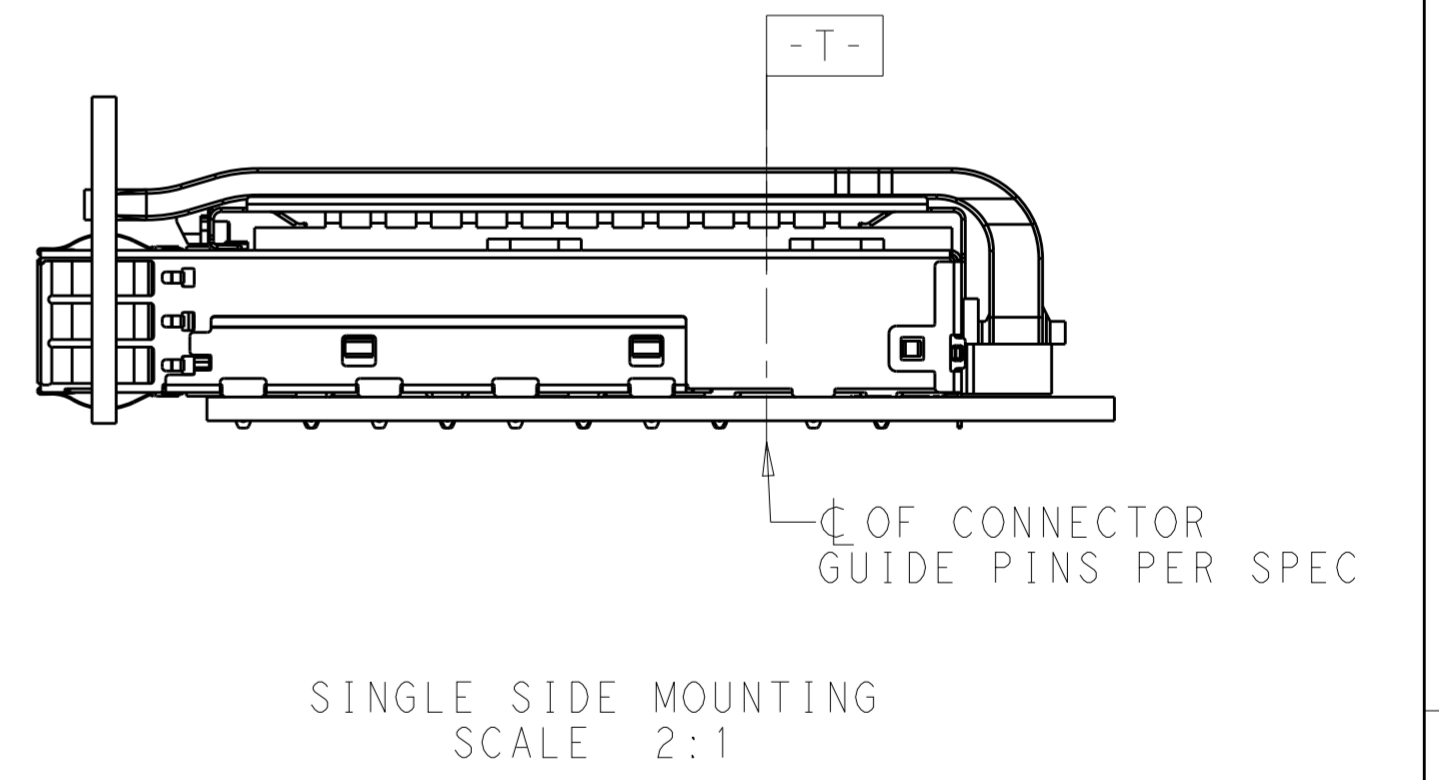
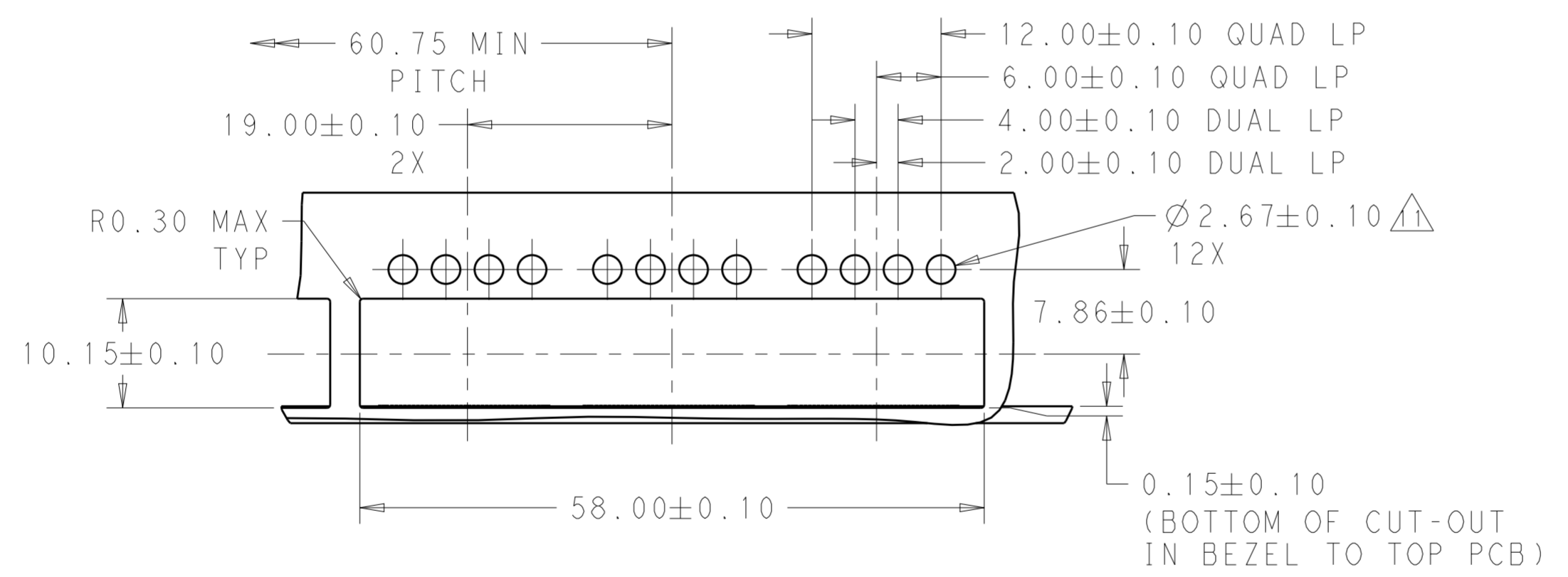
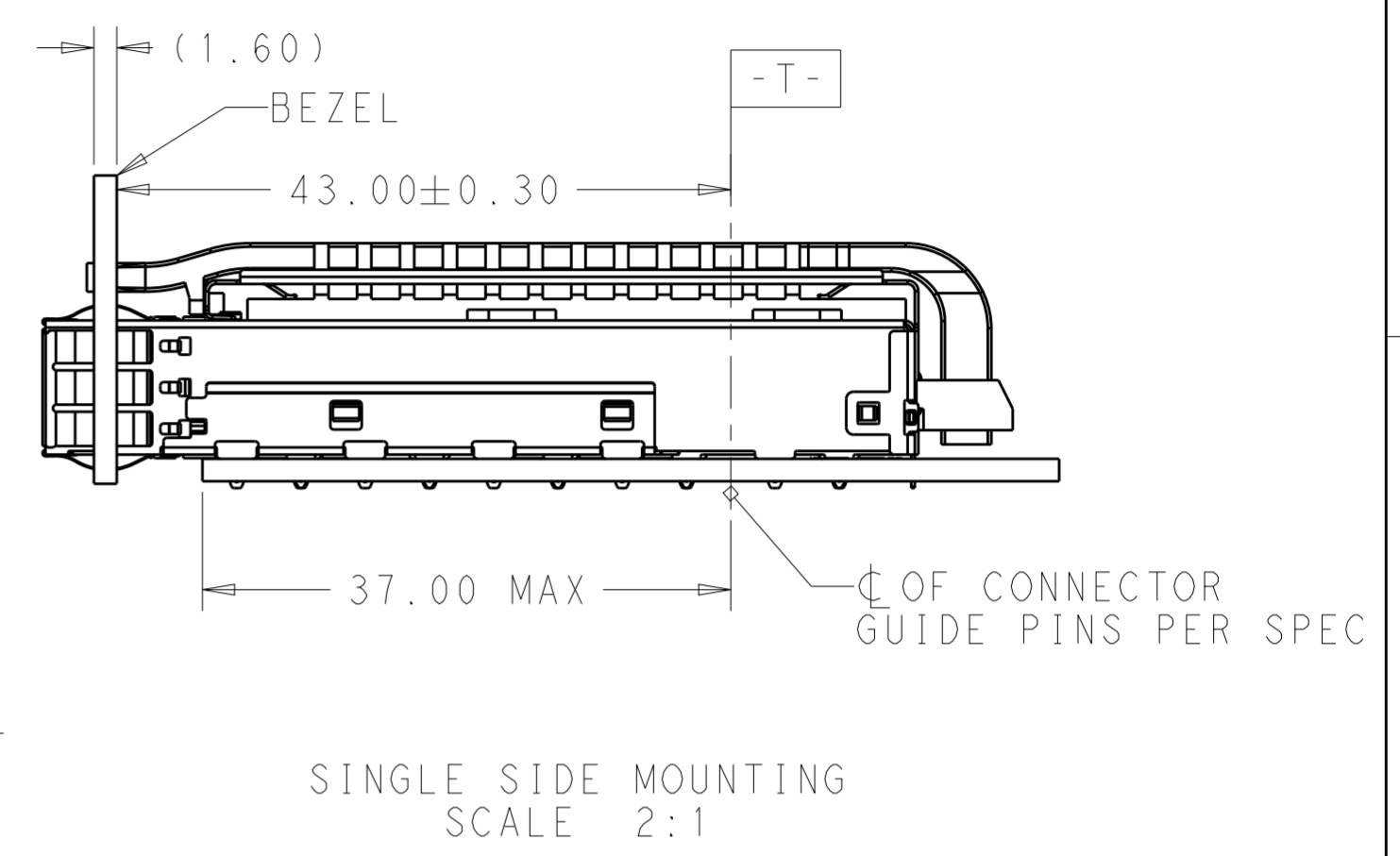
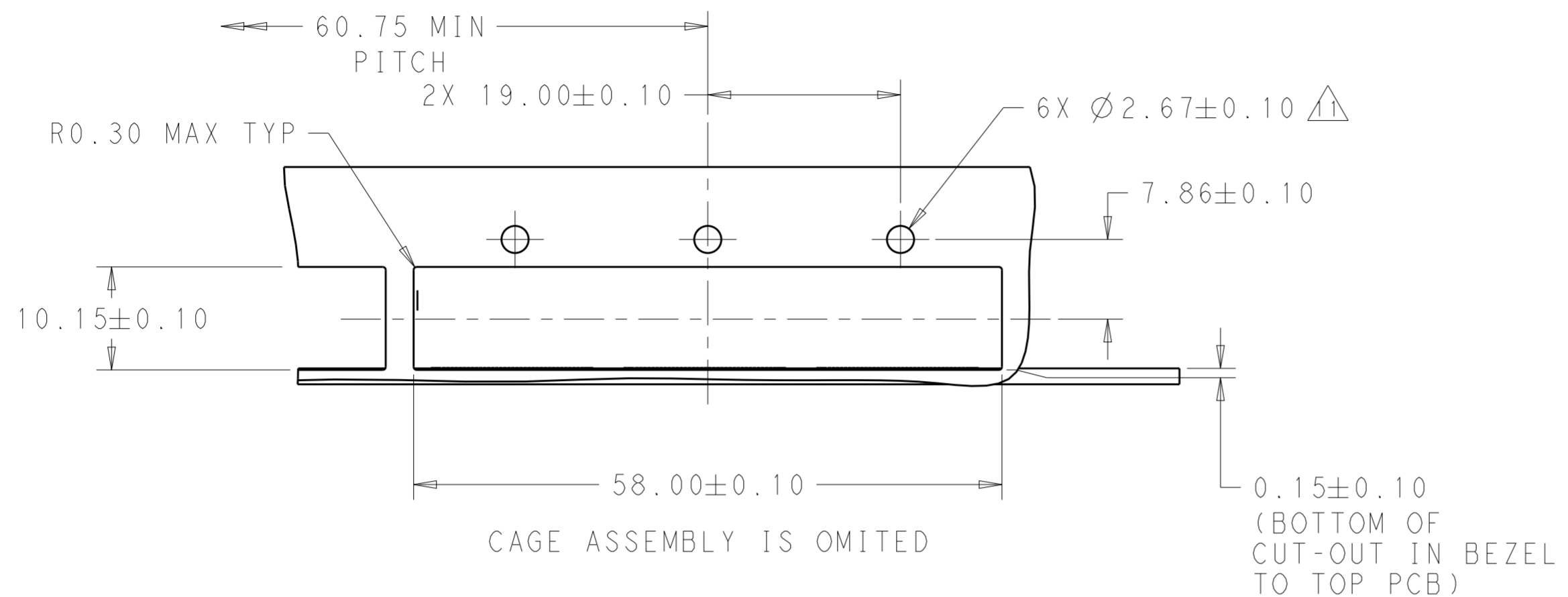
LOC		DIST		REVISIONS			
P	LTR	DESCRIPTION	DATE	DWN	APVD		
-		SEE SHEET 1	-	-	-		

16.0	1	SAN	COATED QUAD LP	5-2170740-2
13.7	1	PCI	COATED QUAD LP	5-2170740-1
14.9	1	CUSTOMIZED	QUAD LP	4-2170740-7
23.0	0	NETWORKING	QUAD LP	4-2170740-6
16.0	0	SAN	QUAD LP	4-2170740-5
13.7	0	PCI	QUAD LP	4-2170740-4
23.0	1	NETWORKING	QUAD LP	4-2170740-3
16.0	1	SAN	QUAD LP	4-2170740-2
13.7	1	PCI	QUAD LP	4-2170740-1
23.0	0	NETWORKING	DUAL LP	2-2170740-6
16.0	0	SAN	DUAL LP	2-2170740-5
13.7	0	PCI	DUAL LP	2-2170740-4
23.0	1	NETWORKING	DUAL LP	2-2170740-3
16.0	1	SAN	DUAL LP	2-2170740-2
13.7	1	PCI	DUAL LP	2-2170740-1
16.0	1	SAN	N/A	1-2170740-2
14.9	1	CUSTOMIZED	SINGLE LP	1-2170740-1
23.0	0	NETWORKING	SINGLE LP	2170740-6
16.0	0	SAN	SINGLE LP	2170740-5
13.7	0	PCI	SINGLE LP	2170740-4
23.0	1	NETWORKING	SINGLE LP	2170740-3
16.0	1	SAN	SINGLE LP	2170740-2
13.7	1	PCI	SINGLE LP	2170740-1
DIM A	# OF REAR PIN	APPLICATION	LIGHT PIPE OPTION	PART NUMBER

THIS DRAWING IS A CONTROLLED DOCUMENT.		DWN BING LIU 22APR2014	 TE Connectivity	
		CHK JASON YANG 22APR2014		
DIMENSIONS: mm		APVD SEAN HAN 22FEB2016	NAME RECEPTACLE CAGE ASSEMBLY WITH HEAT SINKS AND LIGHT PIPES, THRU BEZEL, 1X3, QSFP28	
TOLERANCES UNLESS OTHERWISE SPECIFIED: 0 PLC ± 1 PLC ±0.25 2 PLC ±0.2 3 PLC ± 4 PLC ± ANGLES ±		PRODUCT SPEC 108-19428	RESTRICTED TO	
MATERIAL SEE NOTES material_2		APPLICATION SPEC 114-32023	SIZE A200779	DRAWING NO C-2170740
FINISH SEE NOTES finish_spec_2		WEIGHT -	SCALE 1:1	SHEET 3 OF 9
		CUSTOMER DRAWING	REV A	

THIS DRAWING IS UNPUBLISHED. RELEASED FOR PUBLICATION 20
 © COPYRIGHT 20 BY - ALL RIGHTS RESERVED.

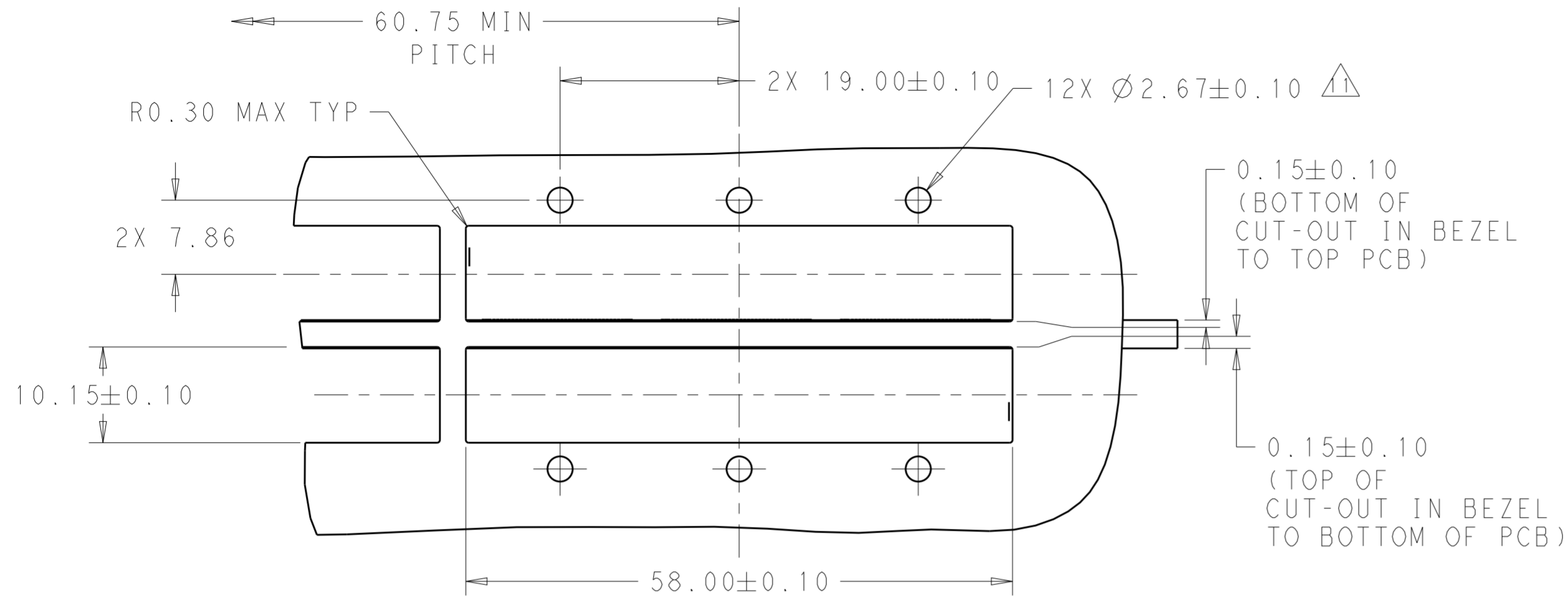
LOC		DIST		REVISIONS			
P	LTR	DESCRIPTION	DATE	DWN	APVD		
-	-	SEE SHEET 1	-	-	-		



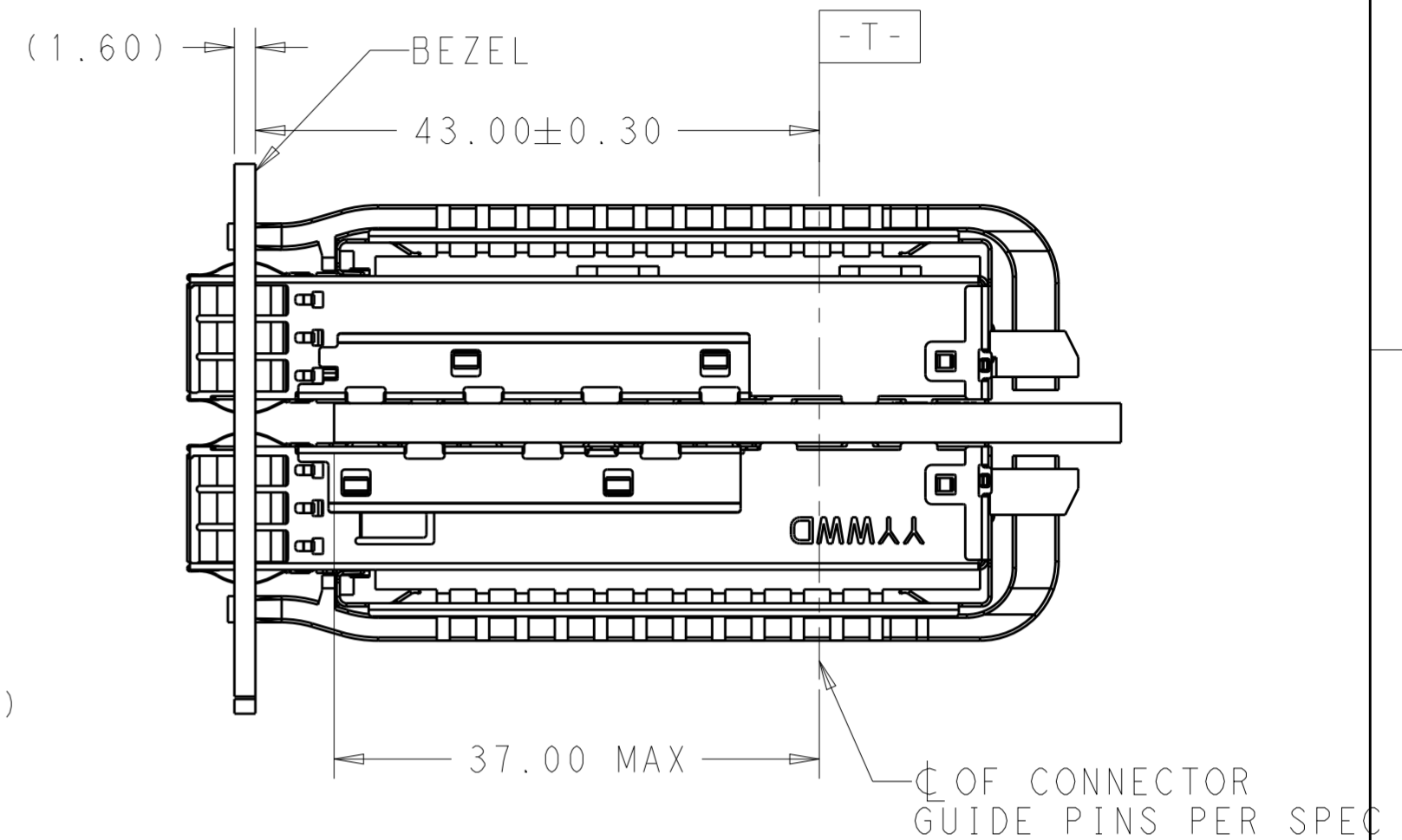
THIS DRAWING IS A CONTROLLED DOCUMENT.		DWN BING LIU 22APR2014	TE Connectivity	
DIMENSIONS: mm		CHK JASON YANG 22APR2014		
TOLERANCES UNLESS OTHERWISE SPECIFIED:		APVD SEAN HAN 22FEB2016	NAME RECEPTACLE CAGE ASSEMBLY WITH HEAT SINKS AND LIGHT PIPES, THRU BEZEL, 1X3, QSFP28	
0 PLC ± 1 PLC ±0.25 2 PLC ±0.2 3 PLC ± 4 PLC ± ANGLES ± FINISH		PRODUCT SPEC 108-19428	SIZE A200779	DRAWING NO C-2170740
MATERIAL SEE NOTES material_2		APPLICATION SPEC 114-32023	RESTRICTED TO -	SCALE 1:1
FINISH SEE NOTES finish_spec_2		WEIGHT -	SHEET 4 OF 9	REV A
		CUSTOMER DRAWING		

THIS DRAWING IS UNPUBLISHED. RELEASED FOR PUBLICATION 20
 © COPYRIGHT 20 BY - ALL RIGHTS RESERVED.

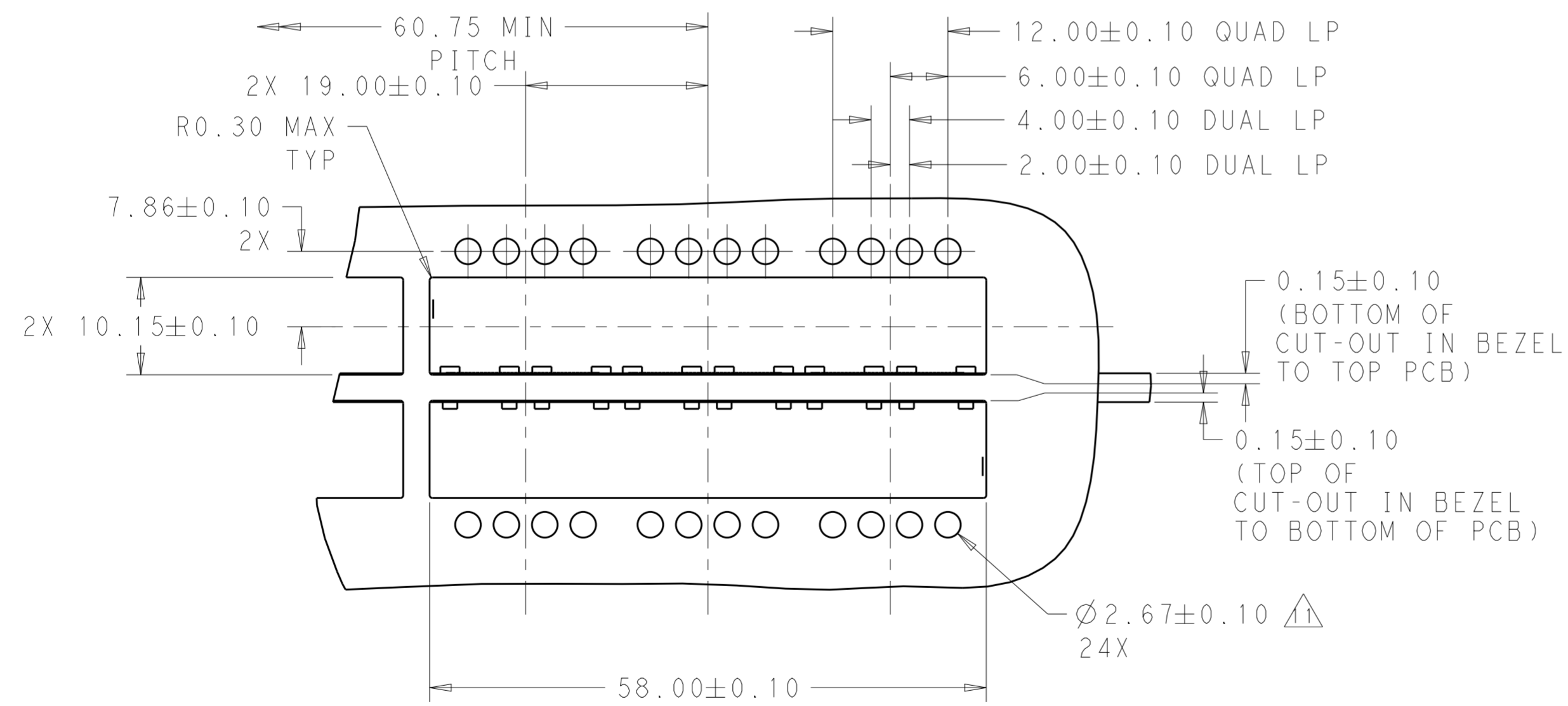
LOC	DIST	REVISIONS			
P	LTR	DESCRIPTION	DATE	DWN	APVD
-	-	SEE SHEET 1	-	-	-



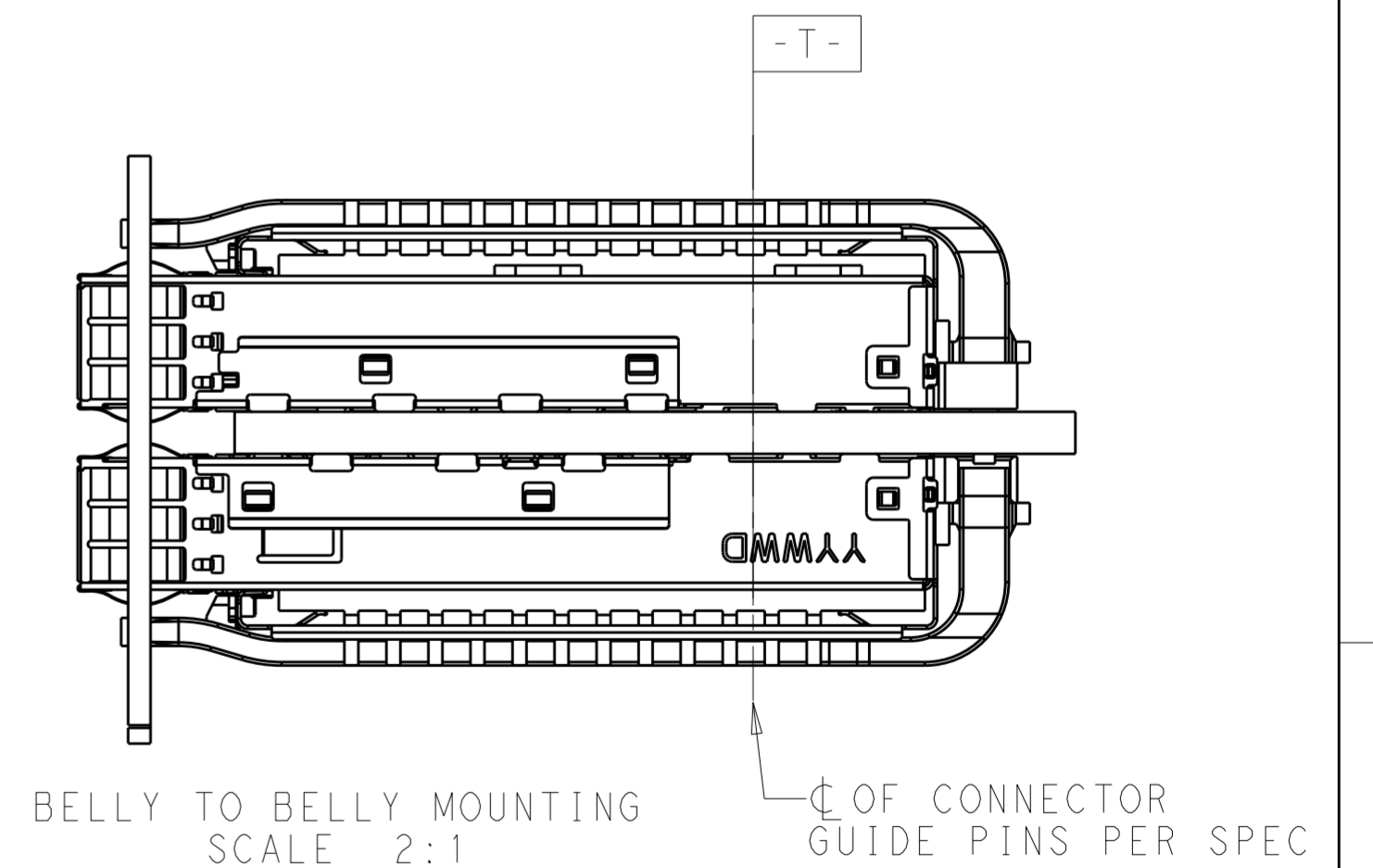
CAGE ASSEMBLY IS OMITED



BELLY TO BELLY MOUNTING SCALE 2:1



CAGE ASSEMBLY IS OMITED

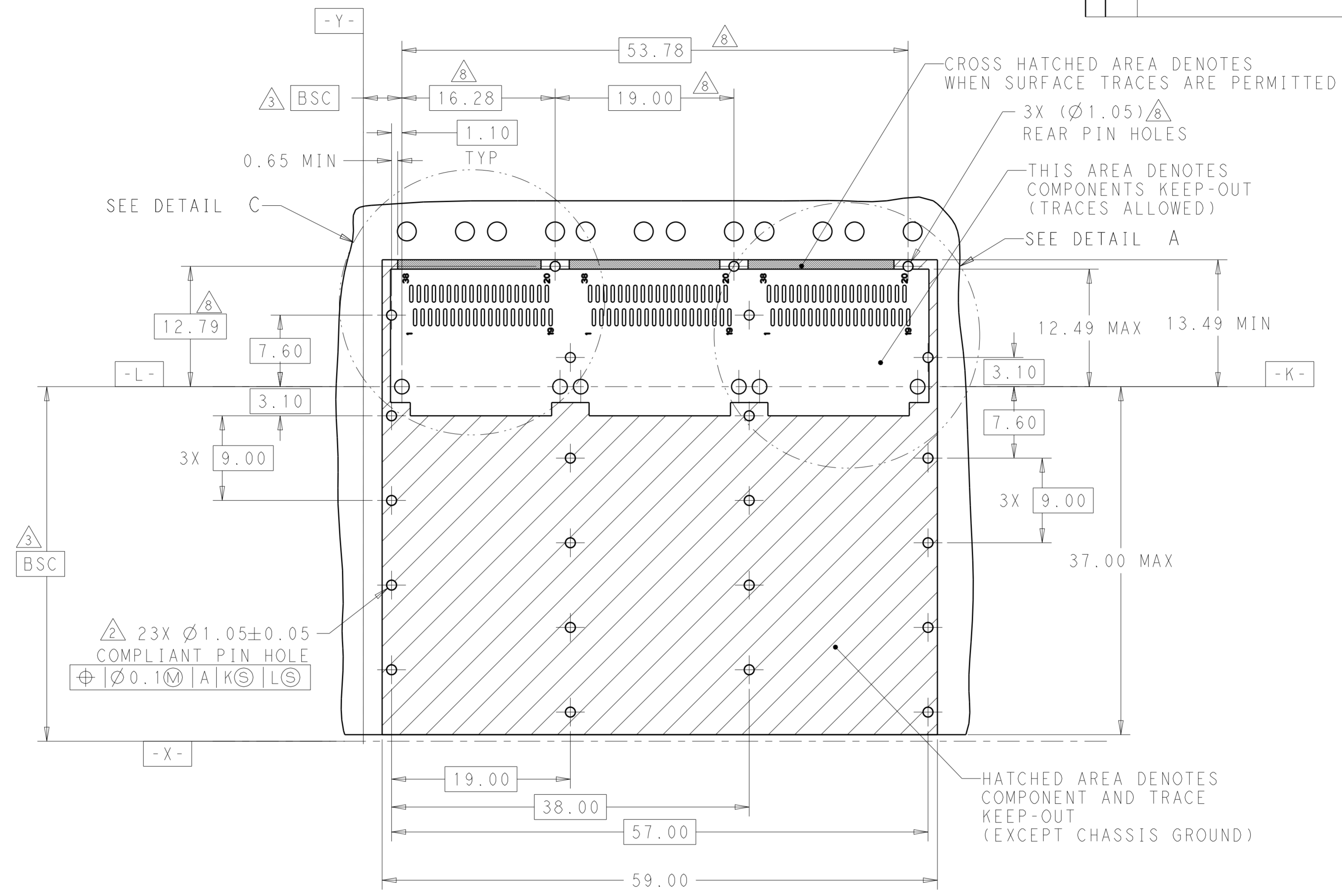


BELLY TO BELLY MOUNTING SCALE 2:1

THIS DRAWING IS A CONTROLLED DOCUMENT.		DWN BING LIU 22APR2014	STE TE Connectivity
DIMENSIONS: mm		CHK JASON YANG 22APR2014	
TOLERANCES UNLESS OTHERWISE SPECIFIED:		APVD SEAN HAN 22FEB2016	NAME RECEPTACLE CAGE ASSEMBLY WITH HEAT SINKS AND LIGHT PIPES, THRU BEZEL, 1X3, QSFP28
0 PLC ±		PRODUCT SPEC 108-19428	SIZE CAGE CODE DRAWING NO
1 PLC ±0.25		APPLICATION SPEC 114-32023	A200779 C-2170740
2 PLC ±0.2		WEIGHT -	RESTRICTED TO
3 PLC ±		CUSTOMER DRAWING	SCALE 1:1 SHEET 5 OF 9 REV A
4 PLC ±			
ANGLES ±			
FINISH SEE NOTES			
material_2 finish_spec_2			

THIS DRAWING IS UNPUBLISHED. RELEASED FOR PUBLICATION 20
 © COPYRIGHT 20 BY - ALL RIGHTS RESERVED.

LOC		DIST		REVISIONS			
P	LTR	DESCRIPTION	DATE	DWN	APVD		
-	-	SEE SHEET 1	-	-	-		



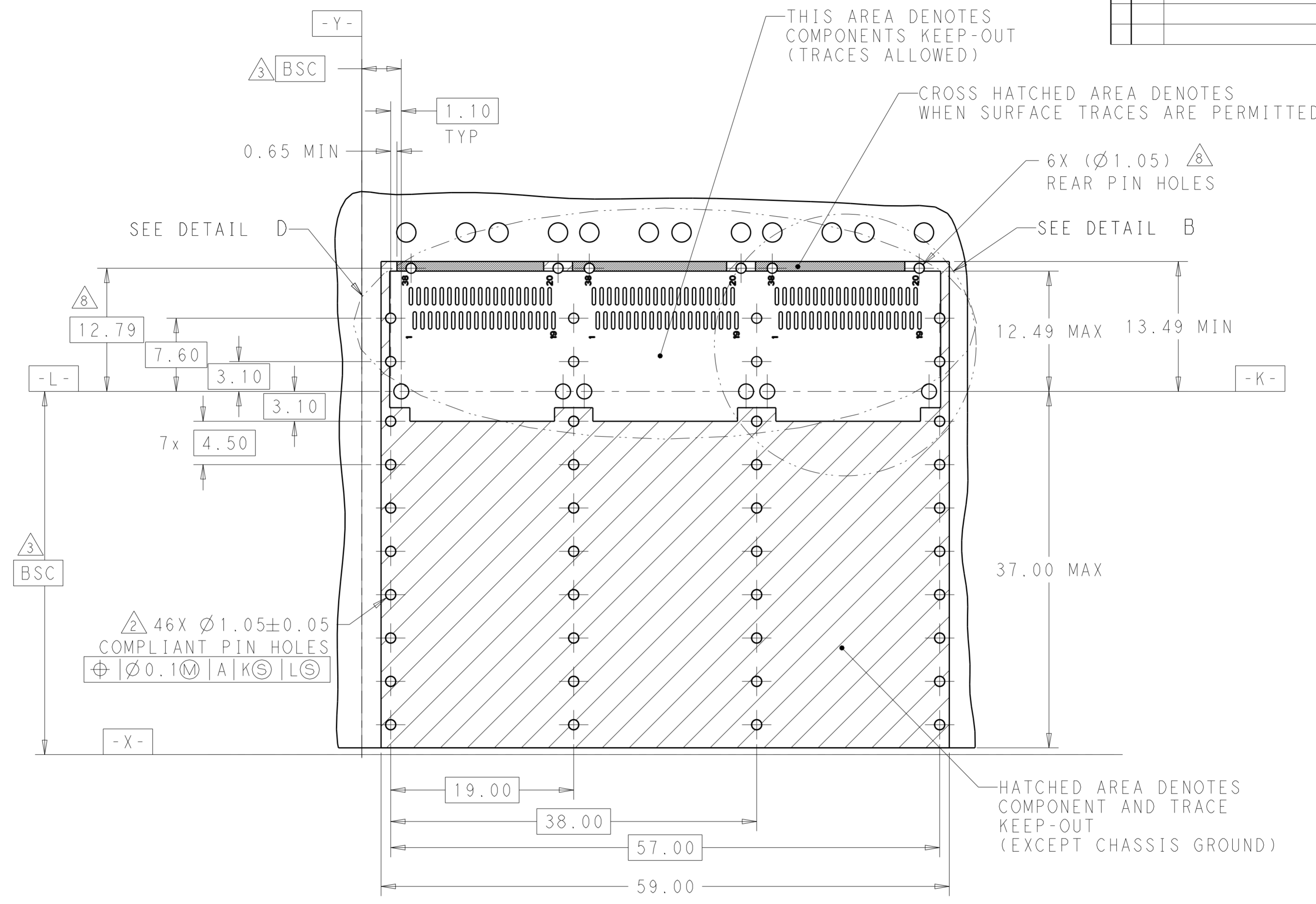
2 23X Ø1.05±0.05
 COMPLIANT PIN HOLE
 Ø0.1 M | A | K | S | L | S

RECOMMENDED PCB LAYOUT
 SINGLE TYPE
 PCB TOLERANCE: ±0.05
 SCALE 3:1

THIS DRAWING IS A CONTROLLED DOCUMENT.		DWN BING LIU 22APR2014	TE Connectivity	
DIMENSIONS: mm		CHK JASON YANG 22APR2014		
TOLERANCES UNLESS OTHERWISE SPECIFIED:		APVD SEAN HAN 22FEB2016	NAME RECEPTACLE CAGE ASSEMBLY WITH HEAT SINKS AND LIGHT PIPES, THRU BEZEL, 1X3, QSFP28	
0 PLC ± 1 PLC ±0.25 2 PLC ±0.2 3 PLC ± 4 PLC ±		PRODUCT SPEC 108-19428	SIZE CAGE CODE DRAWING NO RESTRICTED TO	
ANGLES ±		APPLICATION SPEC 114-32023	A200779 C-2170740	
FINISH		WEIGHT	SCALE 1:1 SHEET 6 OF 9 REV A	
MATERIAL SEE NOTES material_2		FINISH SEE NOTES finish_spec_2	CUSTOMER DRAWING	

THIS DRAWING IS UNPUBLISHED. RELEASED FOR PUBLICATION 20
 © COPYRIGHT 20 BY - ALL RIGHTS RESERVED.

LOC	DIST	REVISIONS			
P	LTR	DESCRIPTION	DATE	DWN	APVD
-	-	SEE SHEET 1	-	-	-

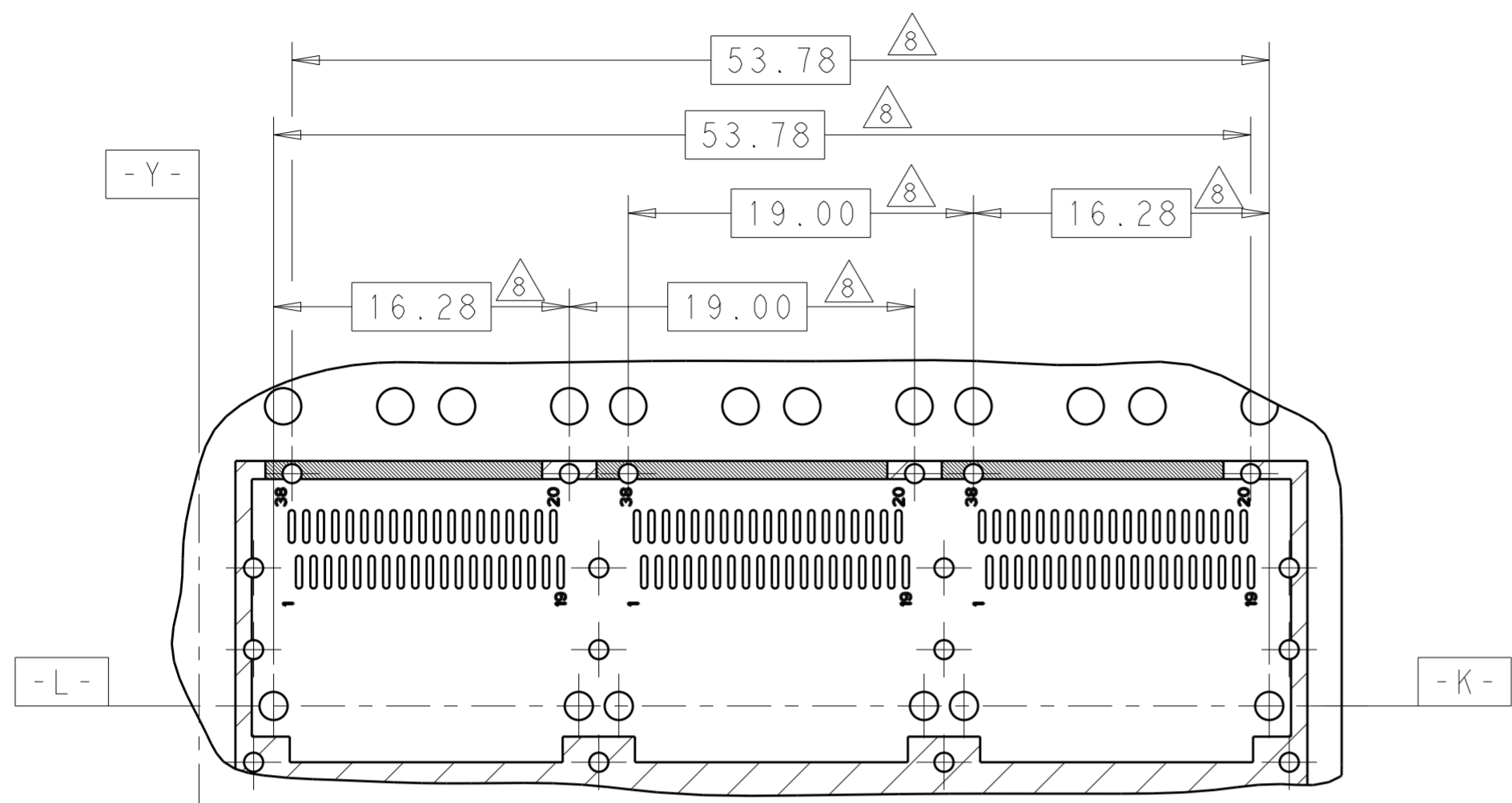


RECOMMENDED PCB LAYOUT
 BELLY TO BELLY TYPE
 PCB TOLERANCE: ±0.05
 SCALE 3:1

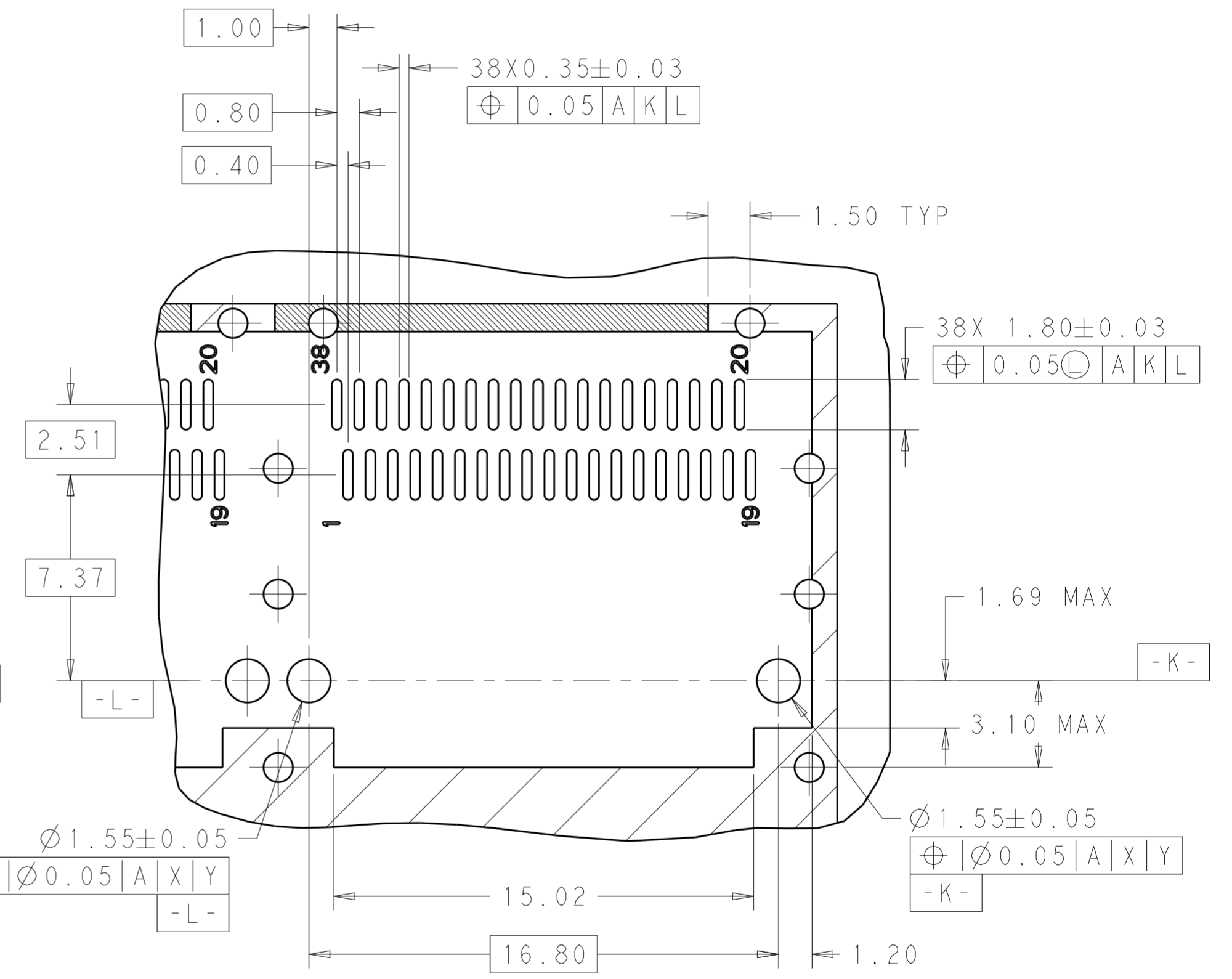
THIS DRAWING IS A CONTROLLED DOCUMENT.		DWN BING LIU 22APR2014	TE Connectivity	
DIMENSIONS: mm		CHK JASON YANG 22APR2014		
TOLERANCES UNLESS OTHERWISE SPECIFIED:		APVD SEAN HAN 22FEB2016	NAME RECEPTACLE CAGE ASSEMBLY WITH HEAT SINKS AND LIGHT PIPES, THRU BEZEL, 1X3, QSFP28	
0 PLC ± 1 PLC ±0.25 2 PLC ±0.2 3 PLC ± 4 PLC ± ANGLES ± FINISH SEE NOTES		PRODUCT SPEC 108-19428	SIZE A200779	
MATERIAL SEE NOTES material_2		APPLICATION SPEC 114-32023	DRAWING NO C-2170740	
		WEIGHT -	RESTRICTED TO -	
		CUSTOMER DRAWING	SCALE 1:1 SHEET 7 OF 9 REV A	

THIS DRAWING IS UNPUBLISHED. RELEASED FOR PUBLICATION 20
 © COPYRIGHT 20 BY - ALL RIGHTS RESERVED.

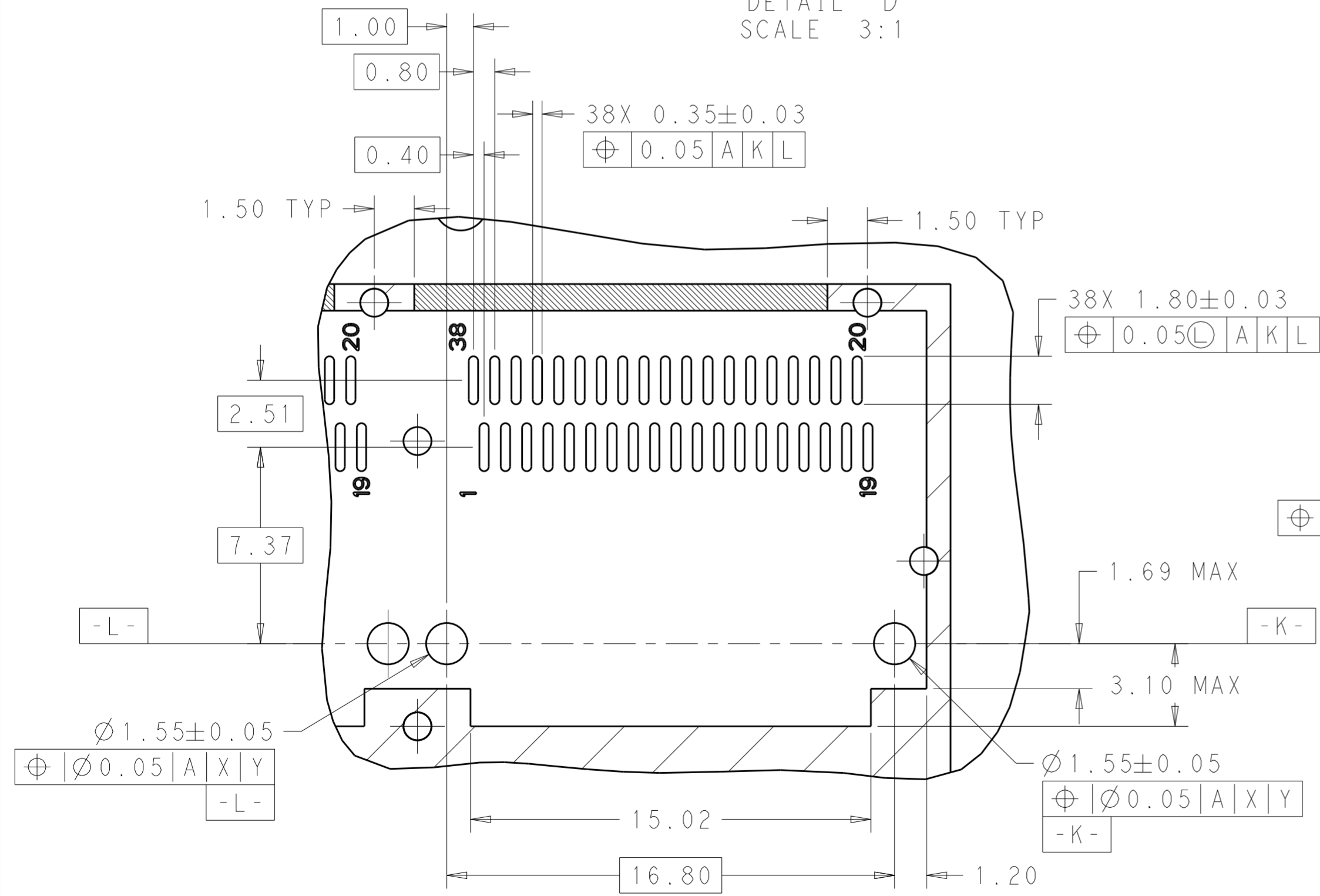
LOC		DIST		REVISIONS			
P	LTR	DESCRIPTION	DATE	DWN	APVD		
-	-	SEE SHEET 1	-	-	-		



DETAIL D
SCALE 3:1



DETAIL B
SCALE 6:1

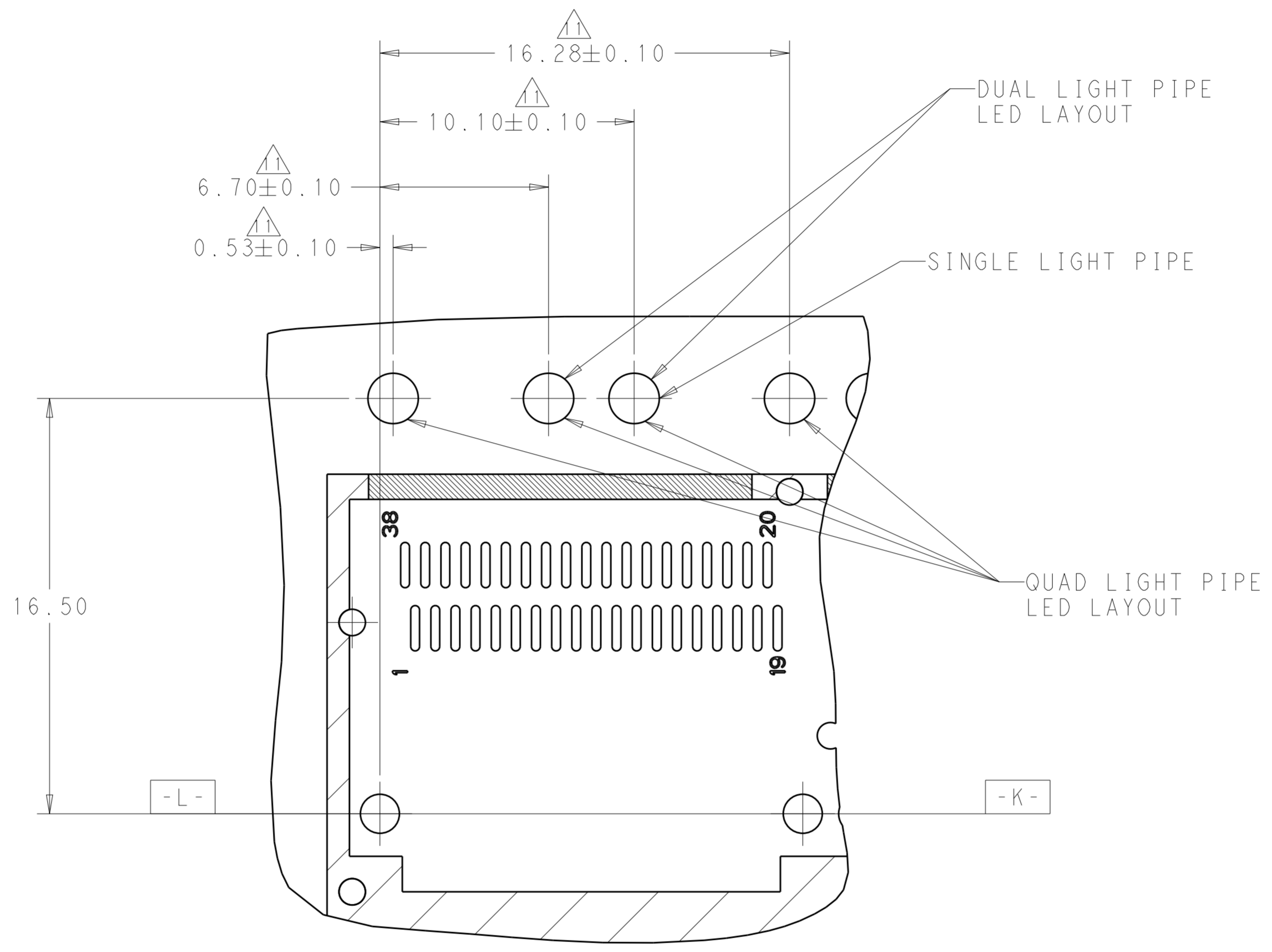


DETAIL A
SCALE 6:1

THIS DRAWING IS A CONTROLLED DOCUMENT.		DWN BING LIU 22APR2014		TE Connectivity	
DIMENSIONS: mm		CHK JASON YANG 22APR2014		NAME RECEPTACLE CAGE ASSEMBLY WITH HEAT SINKS AND LIGHT PIPES, THRU BEZEL, 1X3, QSFP28	
TOLERANCES UNLESS OTHERWISE SPECIFIED:		APVD SEAN HAN 22FEB2016	SIZE A200779		
0 PLC ± 1 PLC ±0.25 2 PLC ±0.2 3 PLC ± 4 PLC ±		PRODUCT SPEC 108-19428	DRAWING NO C-2170740		
ANGLES ±		APPLICATION SPEC 114-32023	RESTRICTED TO -		
FINISH SEE NOTES		WEIGHT -	SCALE 1:1 SHEET 8 OF 9 REV A		
MATERIAL SEE NOTES material_2		FINISH SEE NOTES finish_spec_2	CUSTOMER DRAWING		

THIS DRAWING IS UNPUBLISHED. RELEASED FOR PUBLICATION 20
 © COPYRIGHT 20 BY - ALL RIGHTS RESERVED.

LOC	DIST	REVISIONS			
P	LTR	DESCRIPTION	DATE	DWN	APVD
-	-	SEE SHEET 1	-	-	-



DETAIL C
SCALE 6:1

THIS DRAWING IS A CONTROLLED DOCUMENT.		DWN BING LIU 22APR2014	TE Connectivity
DIMENSIONS: mm		CHK JASON YANG 22APR2014	
TOLERANCES UNLESS OTHERWISE SPECIFIED:		APVD SEAN HAN 22FEB2016	
0 PLC ± 1 PLC ±0.25 2 PLC ±0.2 3 PLC ± 4 PLC ± ANGLES ±		NAME RECEPTACLE CAGE ASSEMBLY WITH HEAT SINKS AND LIGHT PIPES, THRU BEZEL, 1X3, QSFP28 PRODUCT SPEC 108-19428 APPLICATION SPEC 114-32023	
MATERIAL SEE NOTES material_2	FINISH SEE NOTES finish_spec_2	WEIGHT -	SIZE A200779 CAGE CODE C-2170740 DRAWING NO C-2170740 RESTRICTED TO -
CUSTOMER DRAWING		SCALE 1:1	SHEET 9 OF 9 REV A

单击下面可查看定价，库存，交付和生命周期等信息

[>>TE Connectivity\(泰科\)](#)