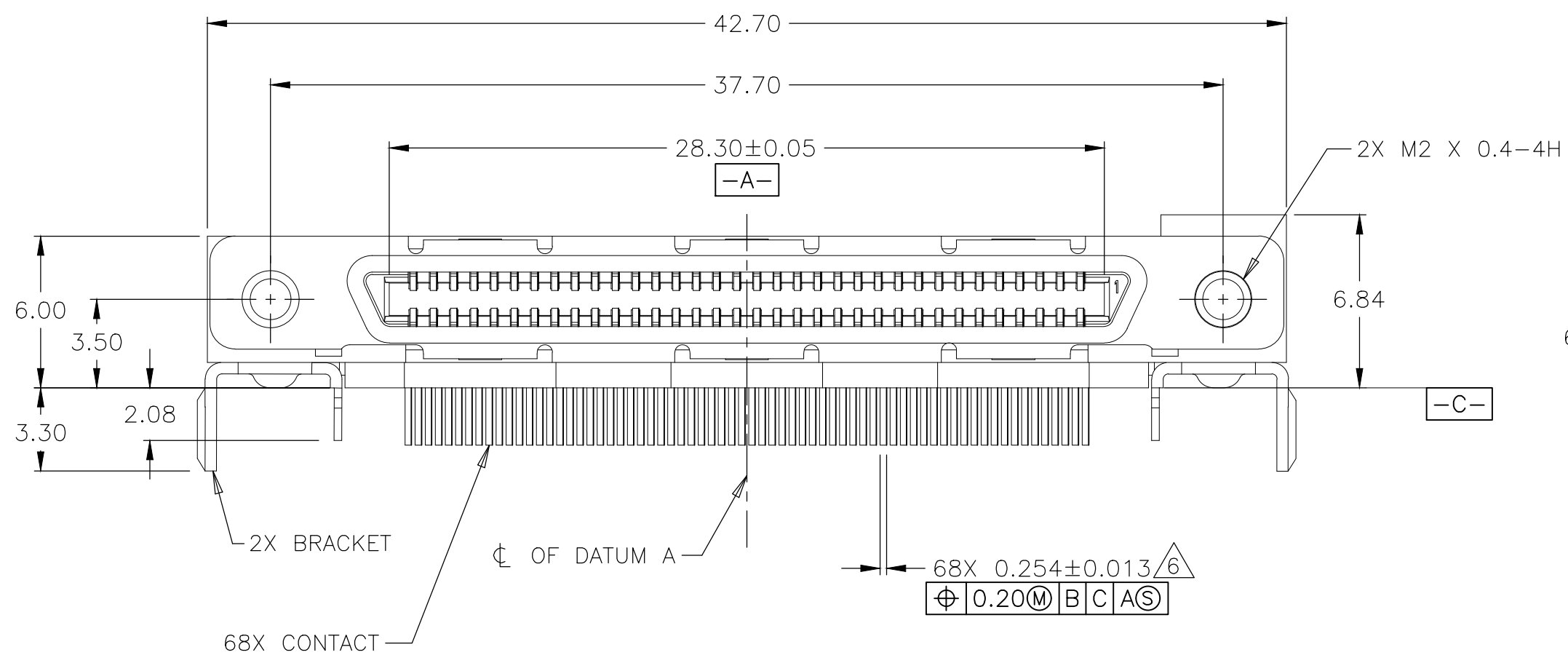
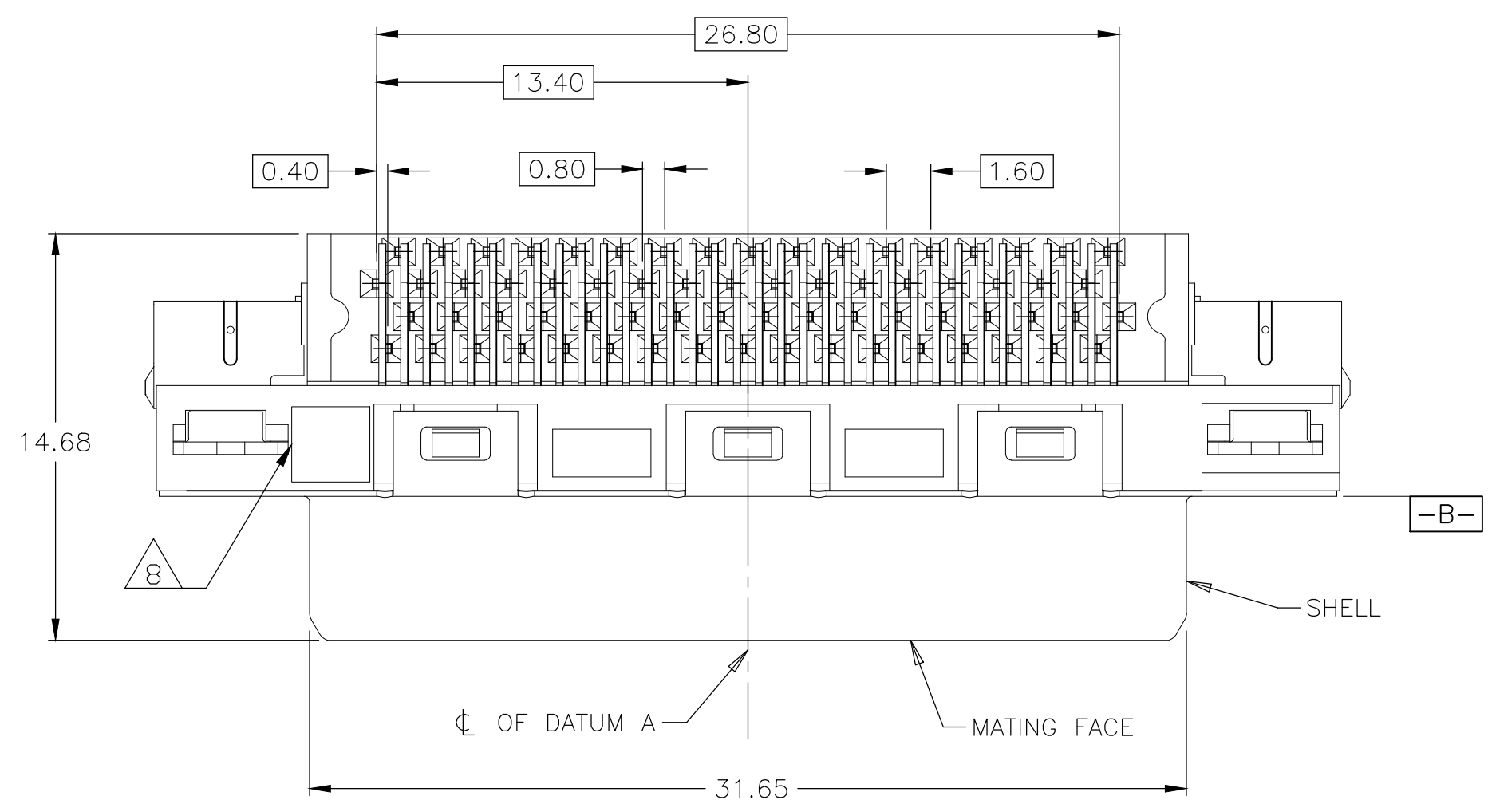
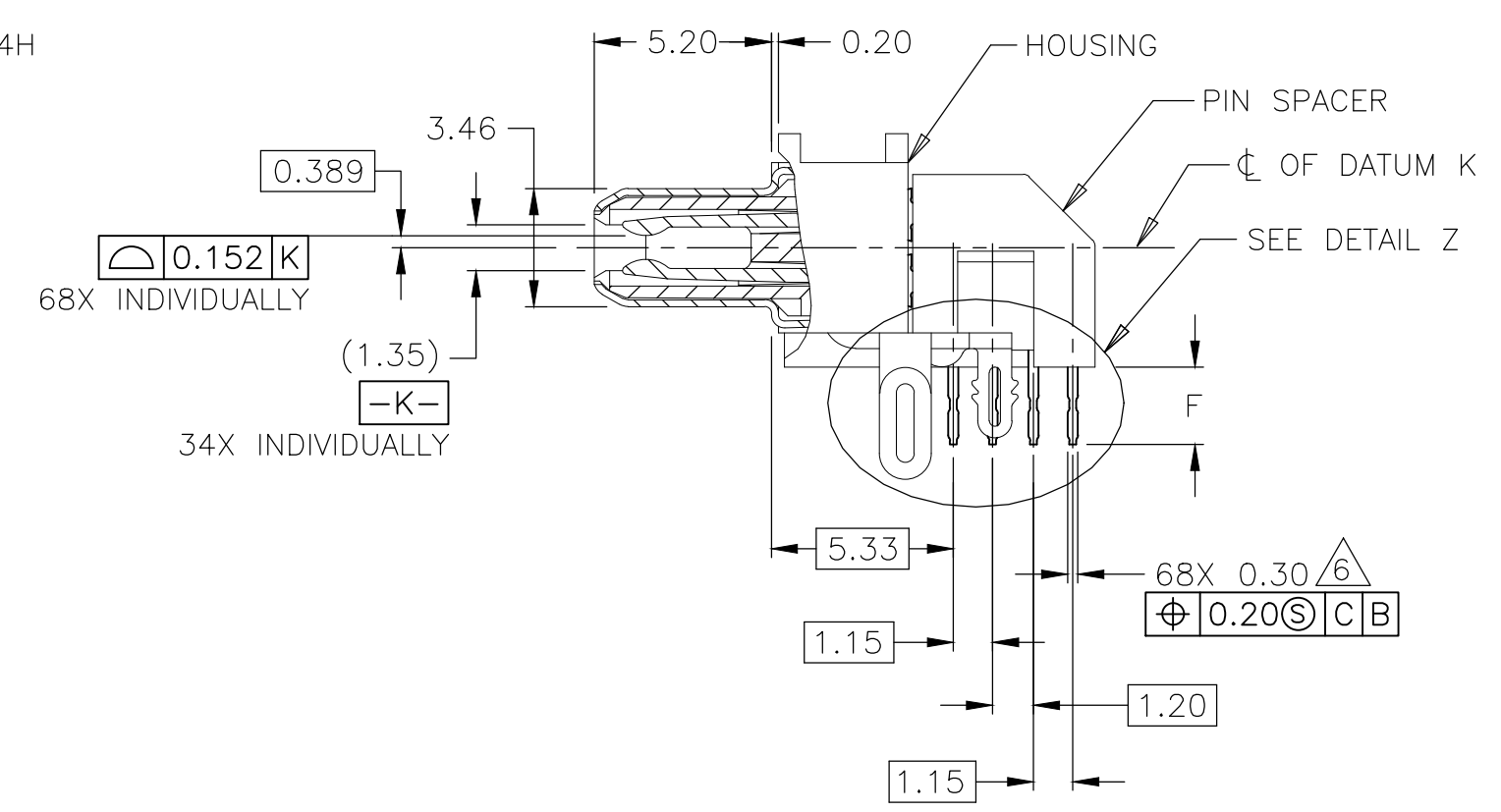


THIS DRAWING IS UNPUBLISHED. RELEASED FOR PUBLICATION
 © COPYRIGHT - By - ALL RIGHTS RESERVED.

REVISIONS				
P	LTR	DESCRIPTION	DATE	APVD
D1		REVISED PER ECO-20-002774	26FEB2020	SH SH



- ① HOUSING & PIN SPACER: THERMOPLASTIC, BLACK, UL 94V-0 RATED. SHELL: CARBON STEEL. CONTACTS: PHOSPHOR BRONZE. BRACKETS: STEEL.
- ② SHELL: 5.08μm MIN NICKEL OVER 2.54μm MIN COPPER. CONTACTS: 0.76μm MIN GOLD ON MATING END, 3.75μm MIN TIN ON SOLDER TAILS, BOTH OVER 1.27μm MIN NICKEL ON ENTIRE CONTACT. BRACKETS: TIN PLATED.
- ③ CONTACTS DESIGNED FOR USE ON 1.60±0.15 THICK PC BOARD WITH PLATED THRU MOUNTING HOLES.
- ④ RECEPTACLE ASSEMBLY DESIGNED FOR USE WITH 1.12±0.08 THICK PANEL.
- ⑤ DATUMS AND DIMENSIONS ESTABLISHED BY CUSTOMER.
- ⑥ POSITION TOLERANCE APPLIES AT CONTACT TIP ONLY.
- ⑦ CONTACTS DESIGNED FOR USE ON 2.35±0.15 THICK PC BOARD WITH PLATED THRU MOUNTING HOLES.
- ⑧ DATE CODE MARKED IN APPROXIMATE AREA SHOWN.
- ⑨ CONTACTS DESIGNED FOR USE ON 4.34±0.15 THICK PC BOARD WITH PLATED THRU MOUNTING HOLES.
- ⑩ CONTACTS DESIGNED FOR USE ON 1.95±0.15 THICK PC BOARD WITH PLATED THRU MOUNTING HOLES.

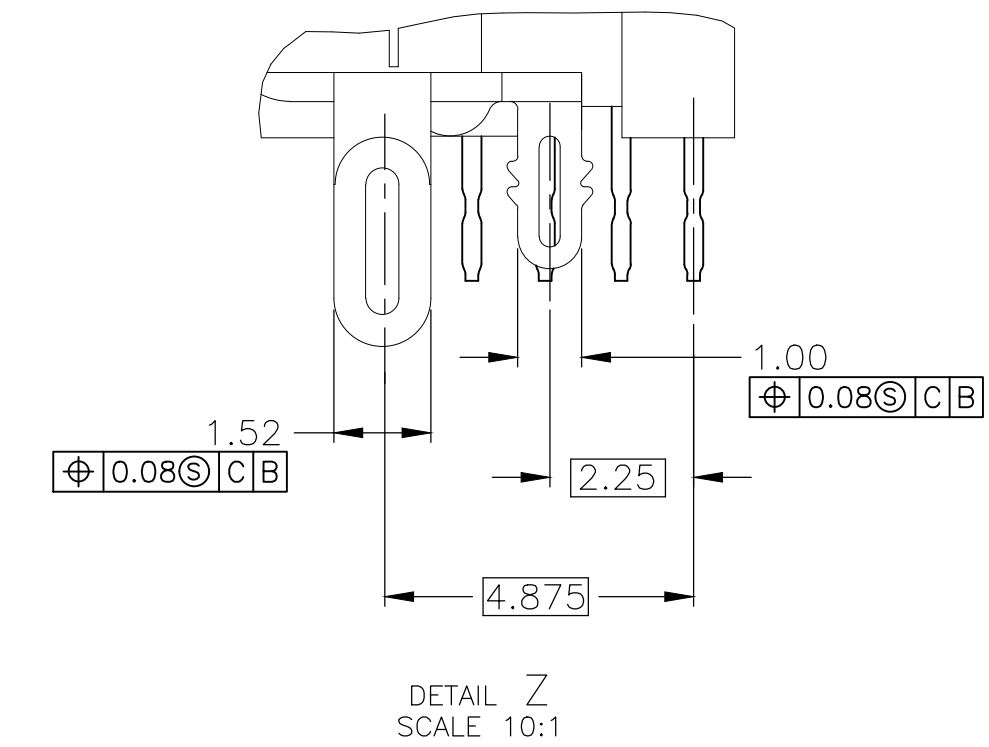
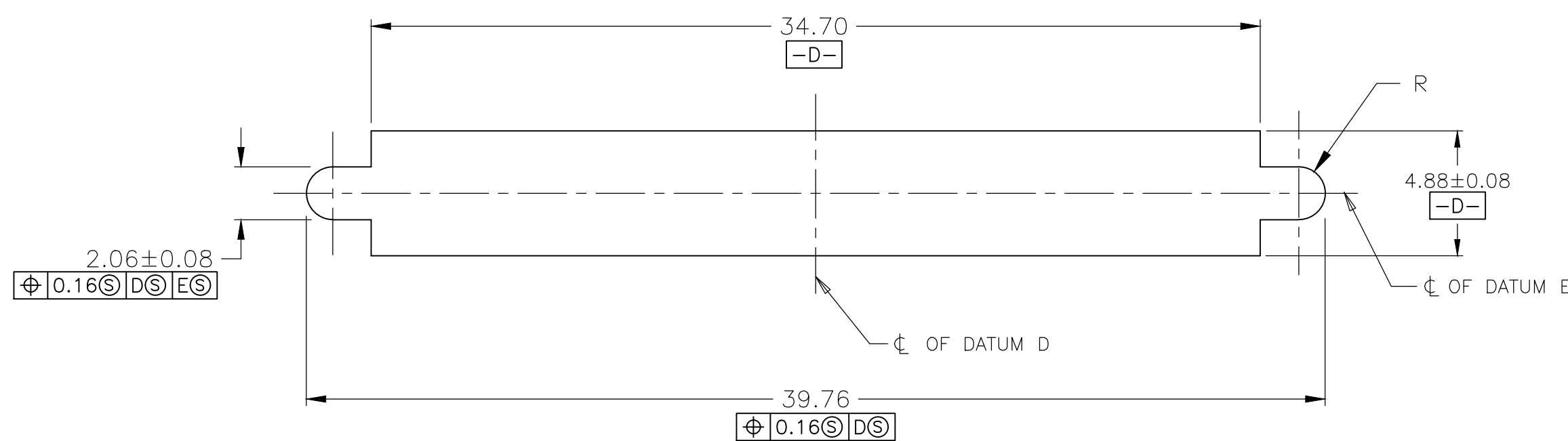
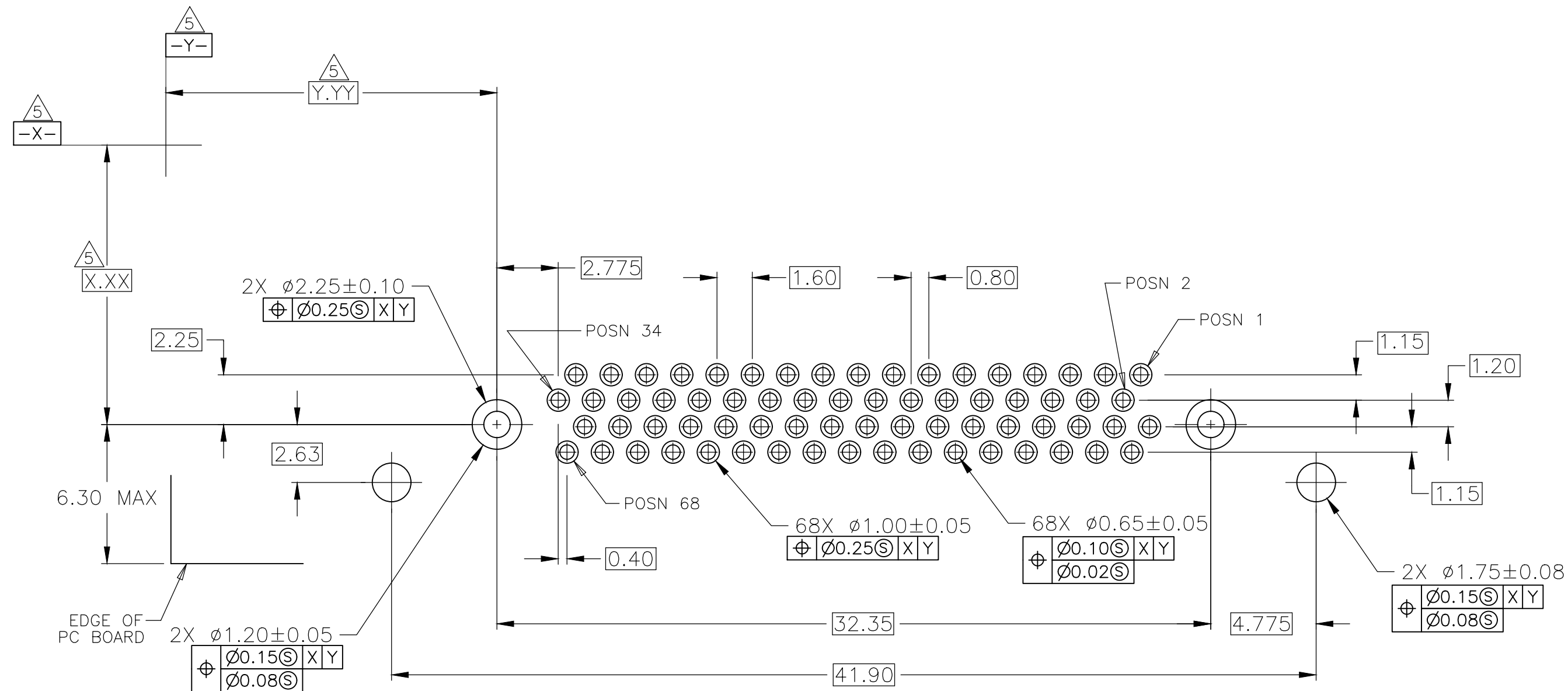


SOFT TRAY	⑩	2.75	5796055-5
SOFT TRAY	⑨	5.59	5796055-4
HARD TRAY	⑦	3.55	5796055-3
SOFT TRAY	⑦	3.55	5796055-2
SOFT TRAY	③	2.27	5796055-1
TRAY	REMARKS	F	PART NUMBER

THIS DRAWING IS A CONTROLLED DOCUMENT.		DWN J.GERACE 31JAN05	STE TE Connectivity	
		CHK S.SHUEY 31JAN05		
DIMENSIONS: mm		APVD M.WALMSLEY 31JAN05	NAME	
TOLERANCES UNLESS OTHERWISE SPECIFIED:		PRODUCT SPEC	RECEPTACLE ASSEMBLY, RIGHT ANGLE, 68 POS, SHIELDED, CHAMP 0.8mm	
0 PLC ± -		APPLICATION SPEC	-	
1 PLC ± -		108-1471	SIZE	RESTRICTED TO
2 PLC ± 0.13		114-6057	A2	-
3 PLC ± -		WEIGHT 0	CAGE CODE 00779	DRAWING NO. C=5796055
4 PLC ± -		FINISH	SCALE 5:1	SHEET 1 of 2
ANGLES ± -			REV D1	
MATERIAL ①		CUSTOMER DRAWING		

THIS DRAWING IS UNPUBLISHED. RELEASED FOR PUBLICATION
 © COPYRIGHT - By - ALL RIGHTS RESERVED.

REVISIONS					
P	LTR	DESCRIPTION	DATE	DWN	APVD
-	-	SEE SHEET 1	-	-	-



THIS DRAWING IS A CONTROLLED DOCUMENT.		DWN J.GERACE 31JAN05	TE Connectivity	
DIMENSIONS: mm		CHK S.SHUEY 31JAN05		
TOLERANCES UNLESS OTHERWISE SPECIFIED:		APVD M.WALMSLEY 31JAN05	NAME RECEPTACLE ASSEMBLY, RIGHT ANGLE, 68 POS, SHIELDED, CHAMP 0.8mm	
0 PLC \pm - 1 PLC \pm - 2 PLC \pm 0.13 3 PLC \pm - 4 PLC \pm - ANGLES \pm - FINISH		PRODUCT SPEC 108-1471	SIZE A2	CAGE CODE 00779
MATERIAL		APPLICATION SPEC 114-6057	DRAWING NO C=5796055	RESTRICTED TO -
		WEIGHT 0	SCALE 5:1	SHEET 2 OF 2
		CUSTOMER DRAWING	REV D1	

5796055

单击下面可查看定价，库存，交付和生命周期等信息

[>>TE Connectivity\(泰科\)](#)