

# Thermofit<sup>®</sup> Molded Parts Specification Control Drawing

**Part Number:** 002A011 & 204A711  
**Description:** Molding Port  
Plug and Riser

**Notes:**

- All dimensions are in  $\frac{\text{Inches}}{[\text{Millimeters}]}$  ;  $\frac{\text{lbs}}{[\text{grams}]}$
- Dimensions appearing in table are as follows:  
a - as supplied
- These parts are not heat-shrinkable
- Weight shown in table of dimensions is based on polyolefin part.

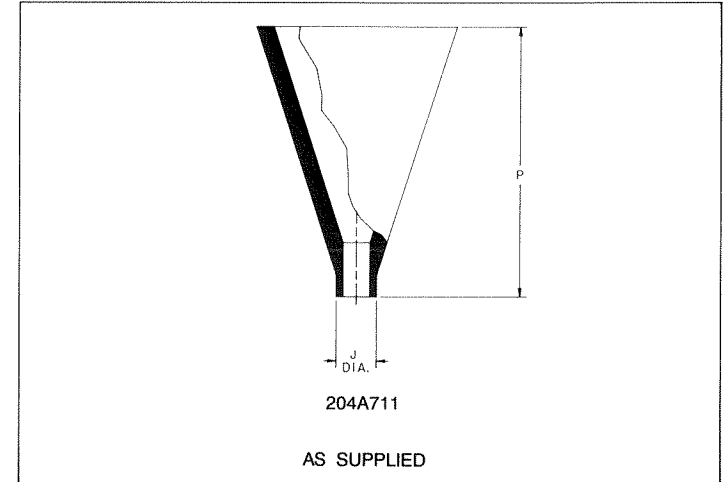
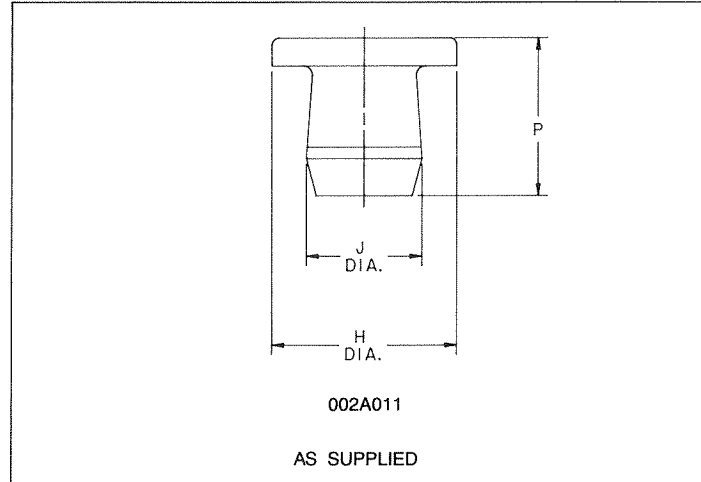


Table of Dimensions				
Part Number	H ±10%	J +.00/-.01 [+0,00/-0,25]	P ±10%	Weight Nom
	a	a	a	a
002A011	$\frac{.23}{[5,84]}$	$\frac{.20}{[5,08]}$	$\frac{.16}{[4,06]}$	$\frac{.0002}{[0,09]}$
204A711		$\frac{.12}{[3,05]}$	$\frac{.83}{[21,08]}$	$\frac{.0020}{[0,91]}$

**Raychem**  
Raychem Corporation  
300 Constitution Drive  
Menlo Park, California 94025  
415) 361 6055

Revision: **D**  
Date: **08-29-89**

If this document is printed it becomes uncontrolled.  
Check for the latest revision.

**Part Number:** 002A011 & 204A711  
**Description:** Molding Port  
Plug and Riser

# Thermofit® Molded Parts Specification Control Drawing

**Part Number:** 002A011 & 204A711  
**Description:** Molding Port  
 Plug and Riser

Compatability Chart		
Material Dash No.	Material Description	RT Spec
-3	Polyolefin, Semi-Rigid	RT-301
-12	Viton, Flexible	RT-1312

**Ordering Information:**

\_\_\_\_\_ 002A011  
 \_\_\_\_\_ 204A711 or — XX

Base part number \_\_\_\_\_

Material dash number \_\_\_\_\_  
 (see compatability chart)

This drawing is subject to change without notice; consult your nearest field representative for current revision.

**Raychem**  
 Raychem Corporation  
 300 Constitution Drive  
 Menlo Park, California 94025  
 415) 361 6055

Revision: **D**  
 Date: **08-29-89**

If this document is printed it becomes uncontrolled.  
 Check for the latest revision.

**Part Number:** 002A011 & 204A711  
**Description:** Molding Port  
 Plug and Riser

单击下面可查看定价，库存，交付和生命周期等信息

[>>TE Connectivity\(泰科\)](#)