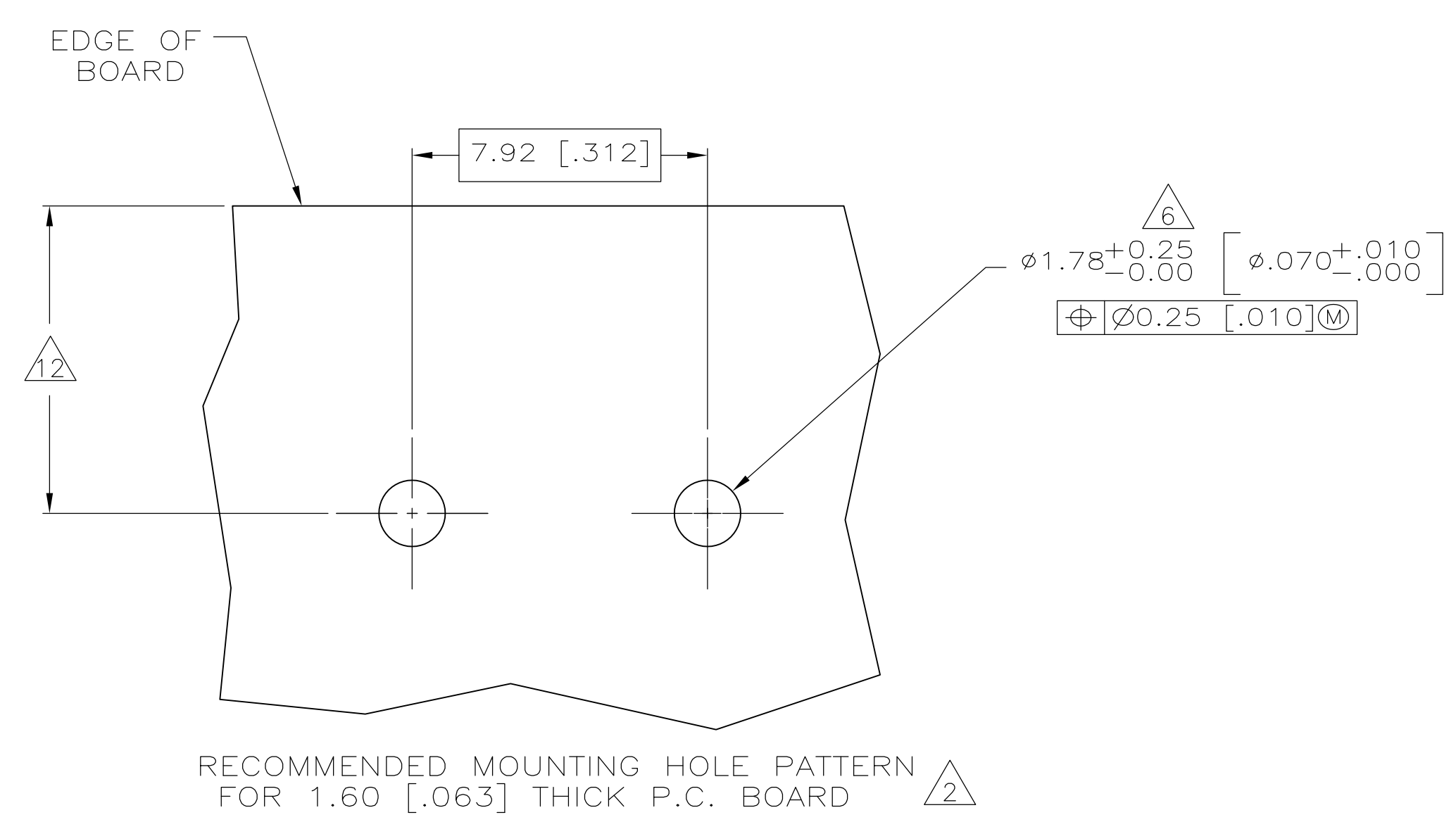
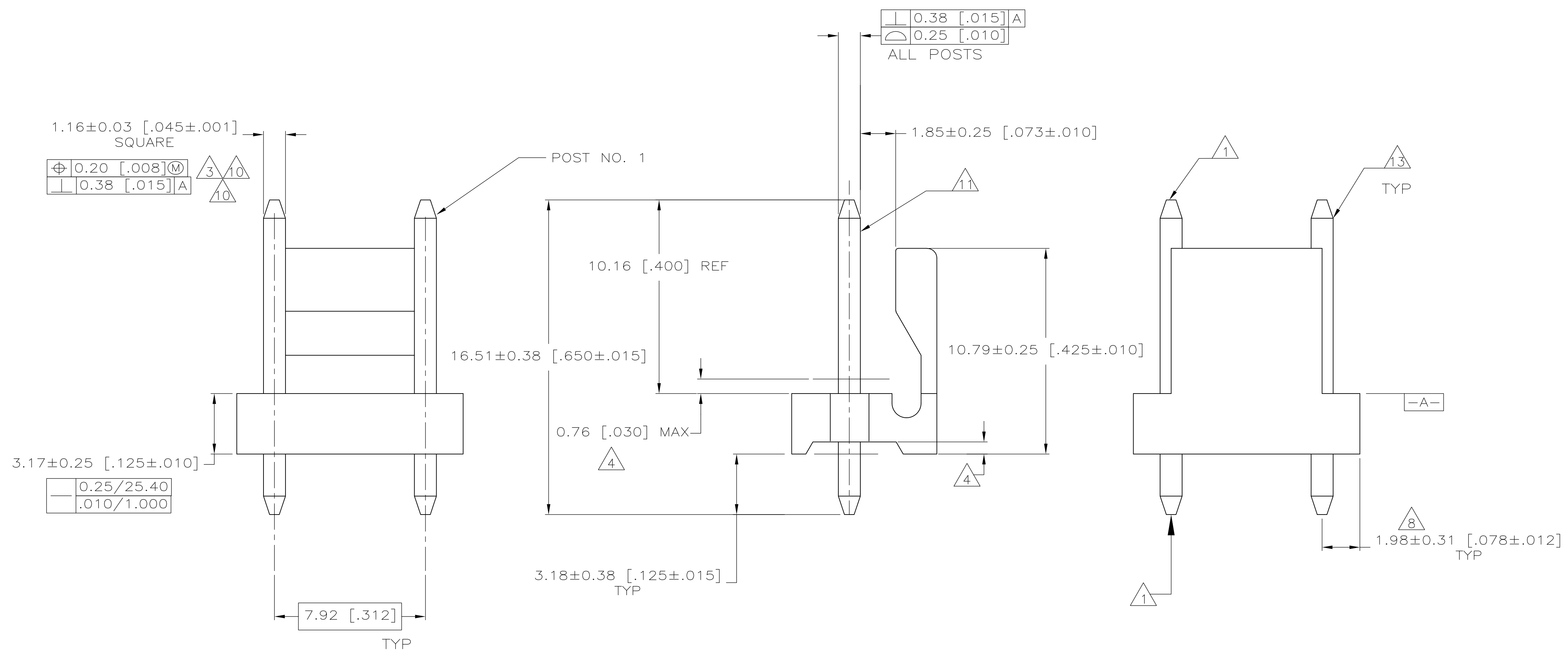
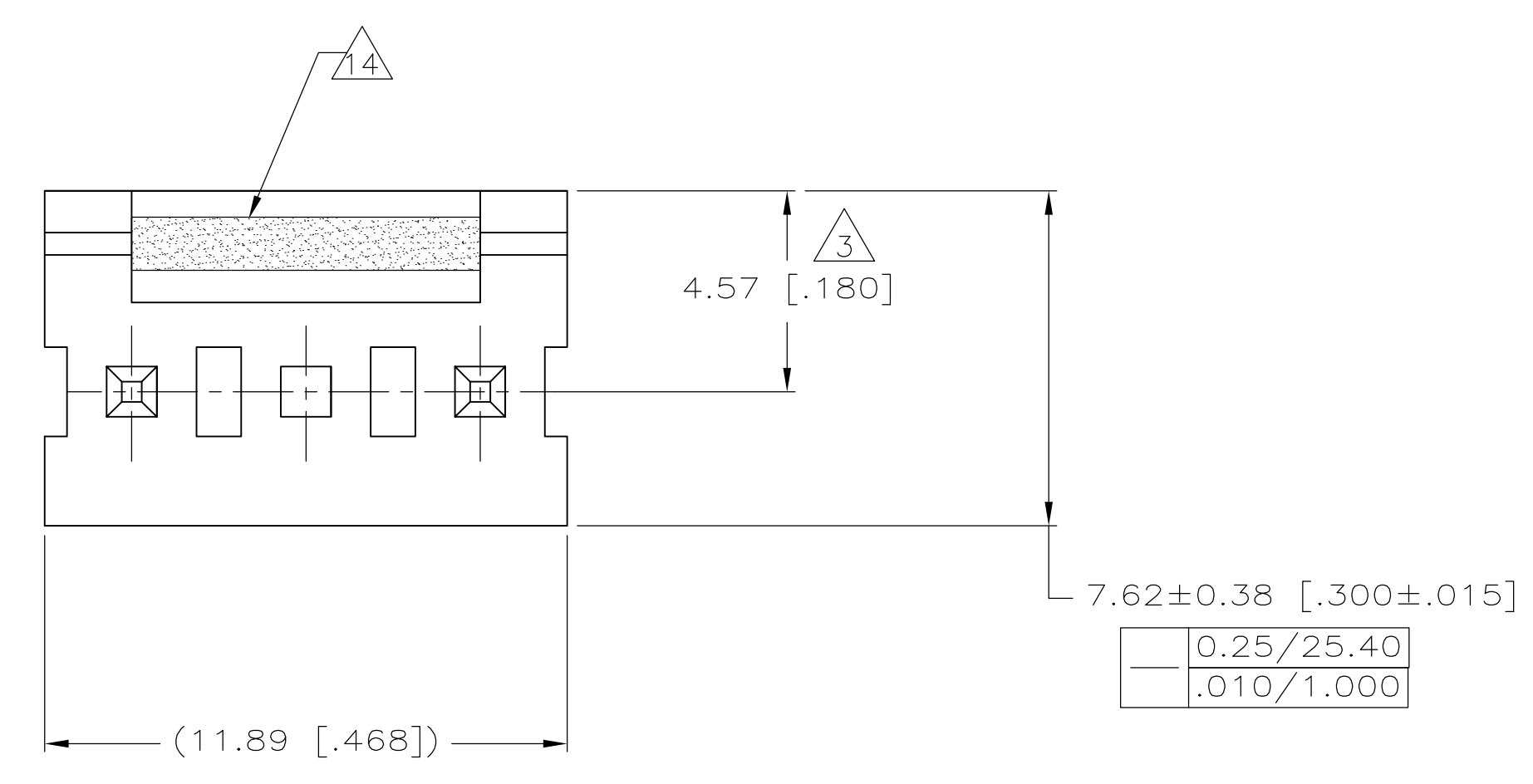


LOC		DIST		REVISIONS			
CM	00	REV	DATE	BY	CHK	APPV	
D	REVISED PER ECO-12-016930		05OCT12	KH	SM		



- 1 POST TO WITHSTAND 13 NEWTONS (3 LBS.) MIN. AXIAL FORCE IN BOTH DIRECTIONS SHOWN WITHOUT DISLODGING.
- 2 TOLERANCES APPLY TO SOLDER SIDE OF BOARD.
- 3 MEASURED AT SURFACE -A-
- 4 PLASTIC FLASH PERMITTED IN THIS AREA.
- 5 PARTS COMPLY WITH AMP SOLDERABILITY SPEC. NO. 109-11-2.
- 6 ONE HOLE MAY BE UNDERSIZED (1.65 [.065]/1.52 [.060] DIA.) FOR ASSEMBLY RETENTION DURING WAVE SOLDERING.
- 7 MATERIAL: HEADER-THERMOPLASTIC POLYESTER
GLASS-FILLED 94V-0 (NATURAL)
POST-COPPER ALLOY (TIN PLATED)
- 8 COORDINATE DIMENSION APPLIES FROM CENTER OF ACTUAL FEATURE.
- 9 PLASTIC BURRS CAUSED BY CUT-OFF TOOLING ARE PERMITTED WITHIN THE MAXIMUM TOLERANCE ENVELOPE.
- 10 POST TO BE MEASURED WHEN STRIP IS HELD FLAT.
- 11 POST MUST WITHSTAND TWO 90° BENDS AGAINST EXTRUSION WITHOUT BREAKING.
- 12 DIMENSION SHOULD BE 4.45 [.175] MIN WHEN MATING WITH AN MTA 156 CONNECTOR ASSEMBLY OR AN SL-156 CONNECTOR ASSEMBLY.
- 13 PIN BURR OF 0.13 [.005] MAX. VERTICAL AND 0.08 [.003] MAXIMUM HORIZONTAL PERMITTED AT POST TIPS ON BOTH ENDS.
- 14 ORANGE STRIPE.

2	3	1744317-3
POST NO OMITTED	NUMBER OF POSITIONS	PART NUMBER

THIS DRAWING IS A CONTROLLED DOCUMENT.		S. HOOVER 18-DEC-2003		TE Connectivity	
DIMENSIONS: mm [INCHES]		D. ROSSI 18-DEC-2003		NAME	
TOLERANCES UNLESS OTHERWISE SPECIFIED:		D. ROSSI 18-DEC-2003		MTA-156 HEADER ASSEMBLY, FRICTION LOCK, STRAIGHT	
0. PLC ±	1. PLC ±	APPLICATION SPEC		1.14 [.045] SQUARE POST, TIN PLATED	
2. PLC ±	3. PLC ±	SIZE		A1 00779C=1744317	
4. PLC ±	ANGLES ±	WEIGHT		CUSTOMER DRAWING	
FINISH		SCALE 7:1		SHEET 1 OF 1 REV D	

单击下面可查看定价，库存，交付和生命周期等信息

[>>TE Connectivity\(泰科\)](#)