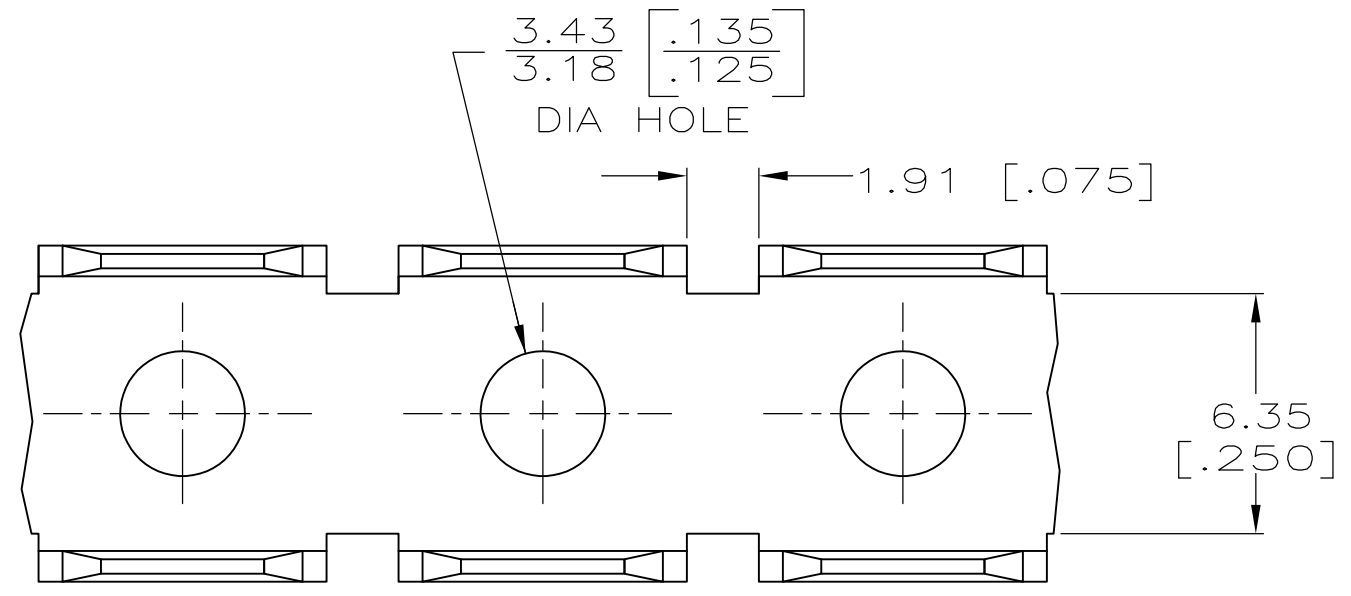
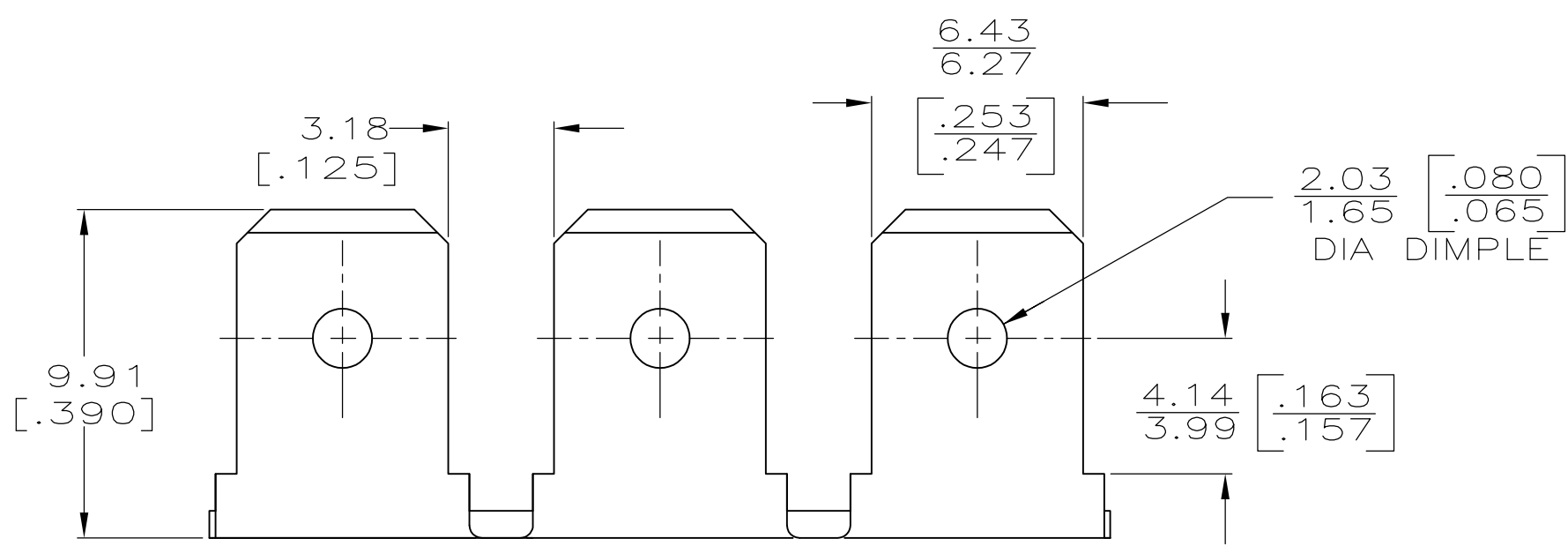
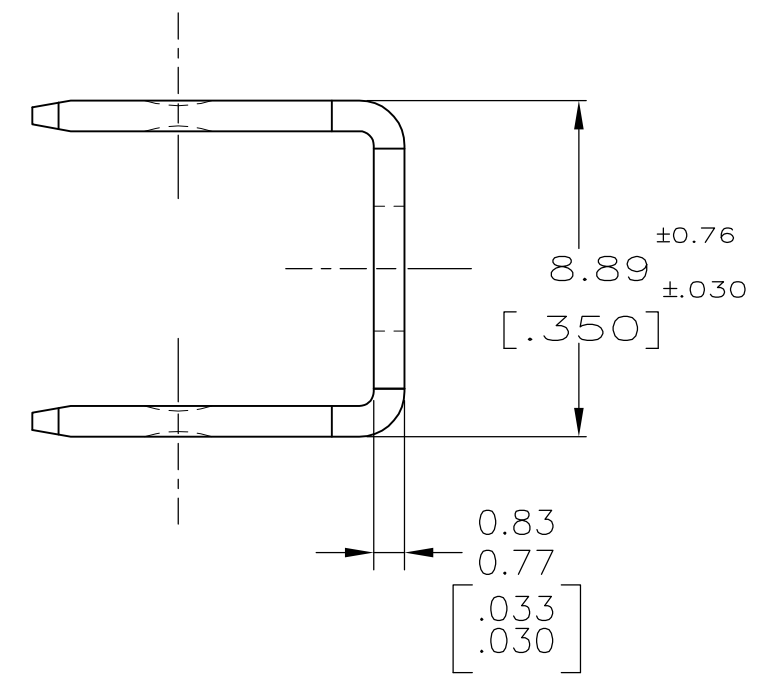


THIS DRAWING IS UNPUBLISHED. RELEASED FOR PUBLICATION
 © COPYRIGHT - By - ALL RIGHTS RESERVED.


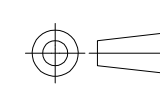
LOC	DIST	REVISIONS			
P	LTR	DESCRIPTION	DATE	DWN	APVD
AF	50	AN	REVISED PER ECR-13-011489	07DEC2013	KH PD



1 CONTINUOUS STRIP ON REELS.



-	42115-6
TIN	42115-4
FINISH	PART NO

THIS DRAWING IS A CONTROLLED DOCUMENT.		DWN	JR RUTH	12/2/91	 TE Connectivity NAME TAB, FASTON, 6.35 $\left[.250 \right]$ SERIES					
DIMENSIONS: mm [INCHES]		CHK	MS FEHER	12/2/91						
		APVD	MEYERS	12/2/91						
TOLERANCES UNLESS OTHERWISE SPECIFIED: 0 PLC ± - 1 PLC ± - 2 PLC ± - 3 PLC ± 0.38 $\left[.015 \right]$ 4 PLC ± - ANGLES ± -		PRODUCT SPEC	-	-						
MATERIAL	BRASS	FINISH	SEE TABLE	APPLICATION SPEC	-					
WEIGHT		-	SIZE	A3	CAGE CODE	00779	DRAWING NO	C-42115	RESTRICTED TO	-
CUSTOMER DRAWING		SCALE	5:1	SHEET	1 OF 1	REV	AN			

单击下面可查看定价，库存，交付和生命周期等信息

[>>TE Connectivity\(泰科\)](#)