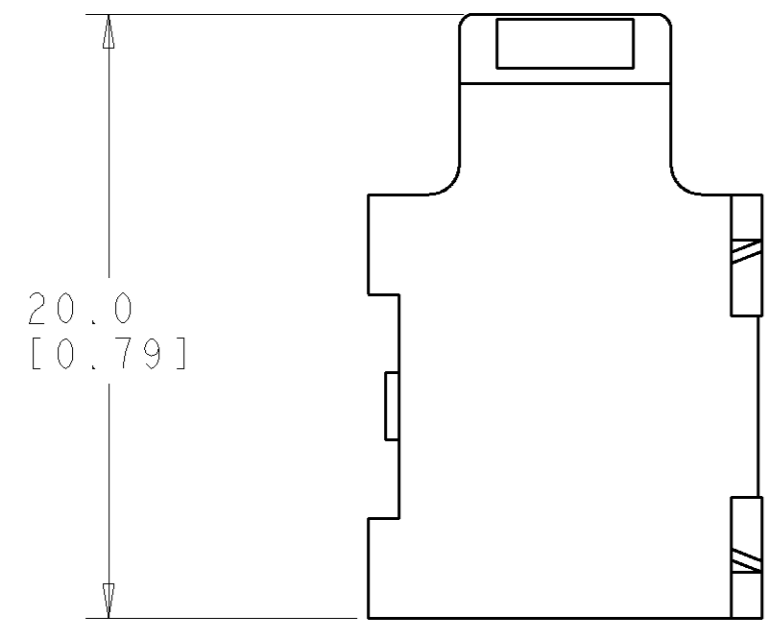


THIS DRAWING IS UNPUBLISHED. RELEASED FOR PUBLICATION 20
 © COPYRIGHT 20 BY TYCO ELECTRONICS CORPORATION. ALL RIGHTS RESERVED.

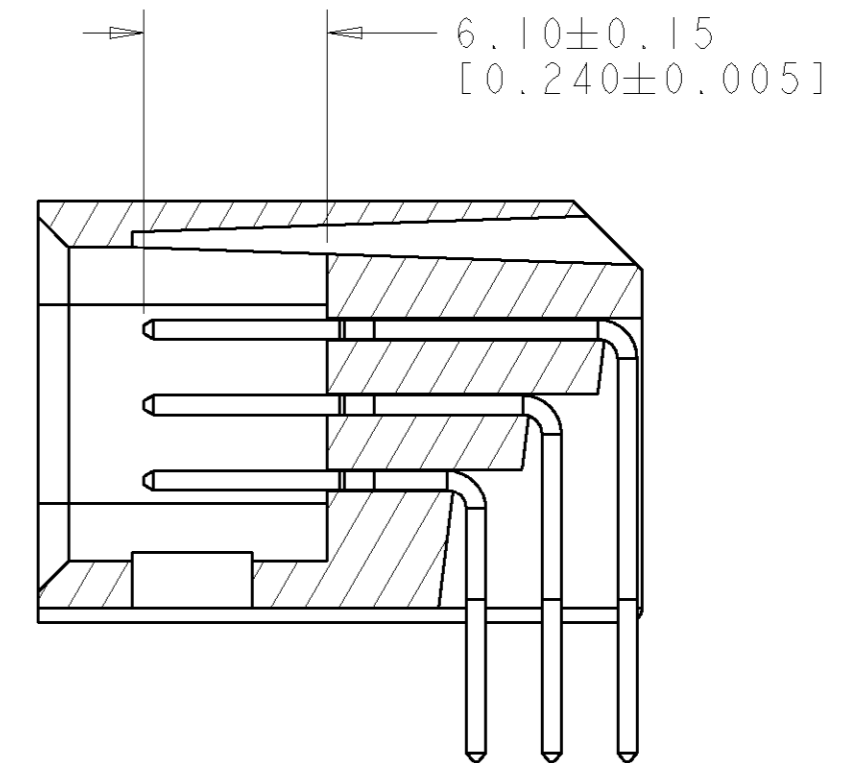
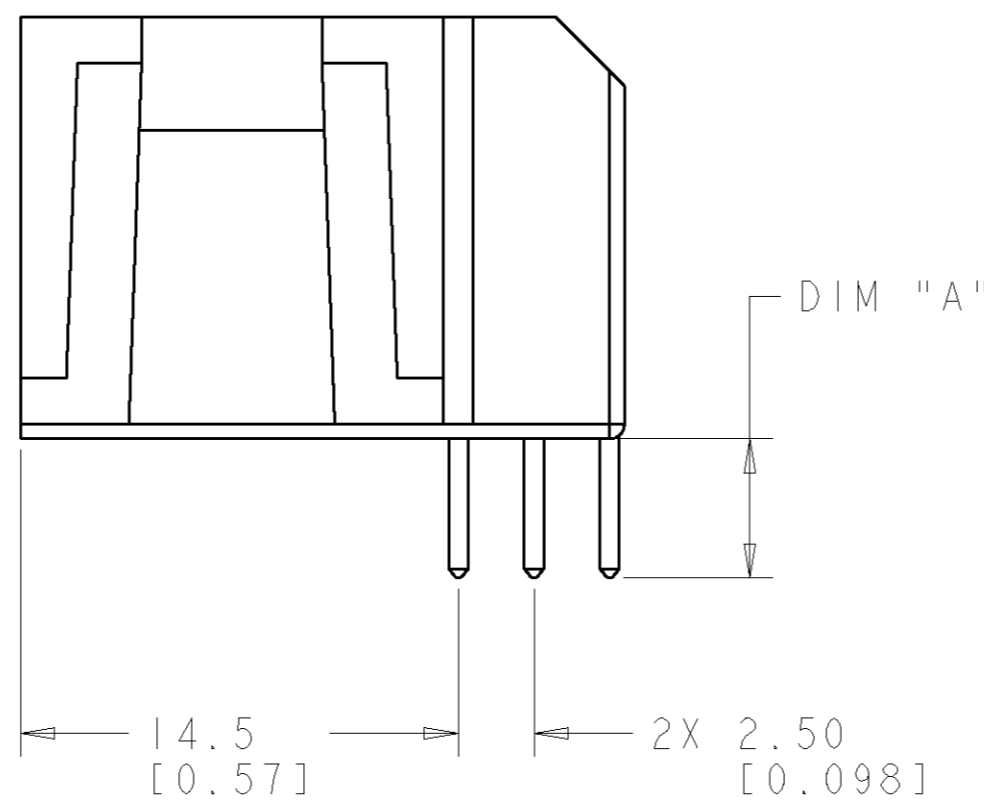
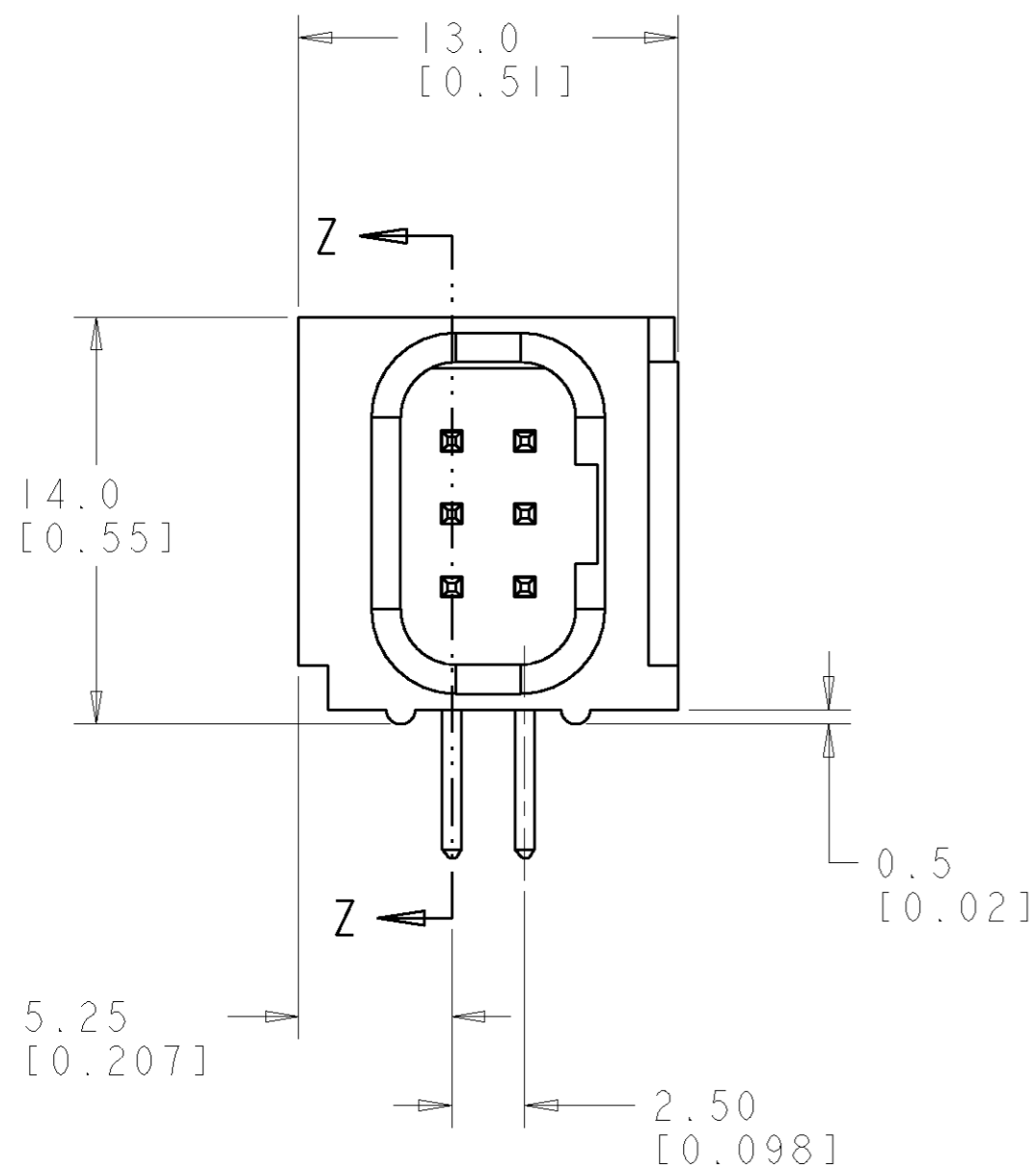
LOC	DIST	REVISIONS					
GP	00	P	LTR	DESCRIPTION	DATE	DWN	APVD
			A	NEW RELEASE	09MAR2007	RG	PD



- PART NUMBER CHANGES AND OR DESIGN CHANGES AFFECTING ITEM INTERCHANGEABILITY REQUIRE PRIOR TYCO APPROVAL AND AUTHORIZATION BY REVISION TO THIS DRAWING.
- MATERIAL:
 INSULATORS - THERMOPLASTIC, GLASS REINFORCED, COLOR: BLACK
 UL94V-0 FLAMMABILITY RATED.
 SIGNAL CONTACTS - BRASS ALLOY,
- FINISH:
 CONTACTS - GOLD PLATE 0.76 MICROMETERS MIN. THK., OVER NICKEL
 1.27 MICROMETERS MIN. THK
 SOLDER TAILS, TIN 3.05 MICROMETERS MIN. THK. OVER NICKEL
 1.27 MICROMETERS MIN. THK
- ITEMS PROVIDED TO THIS SPECIFICATION TO BE PERMANENTLY IDENTIFIED ON THE CONTAINER PER THE FOLLOWING IDENTIFIER LABEL

YEAR WEEK

TYCO PART NO. DATE CODE (e.g. 0106)
 XXXXXXXX-X XXXX



SECTION Z-Z

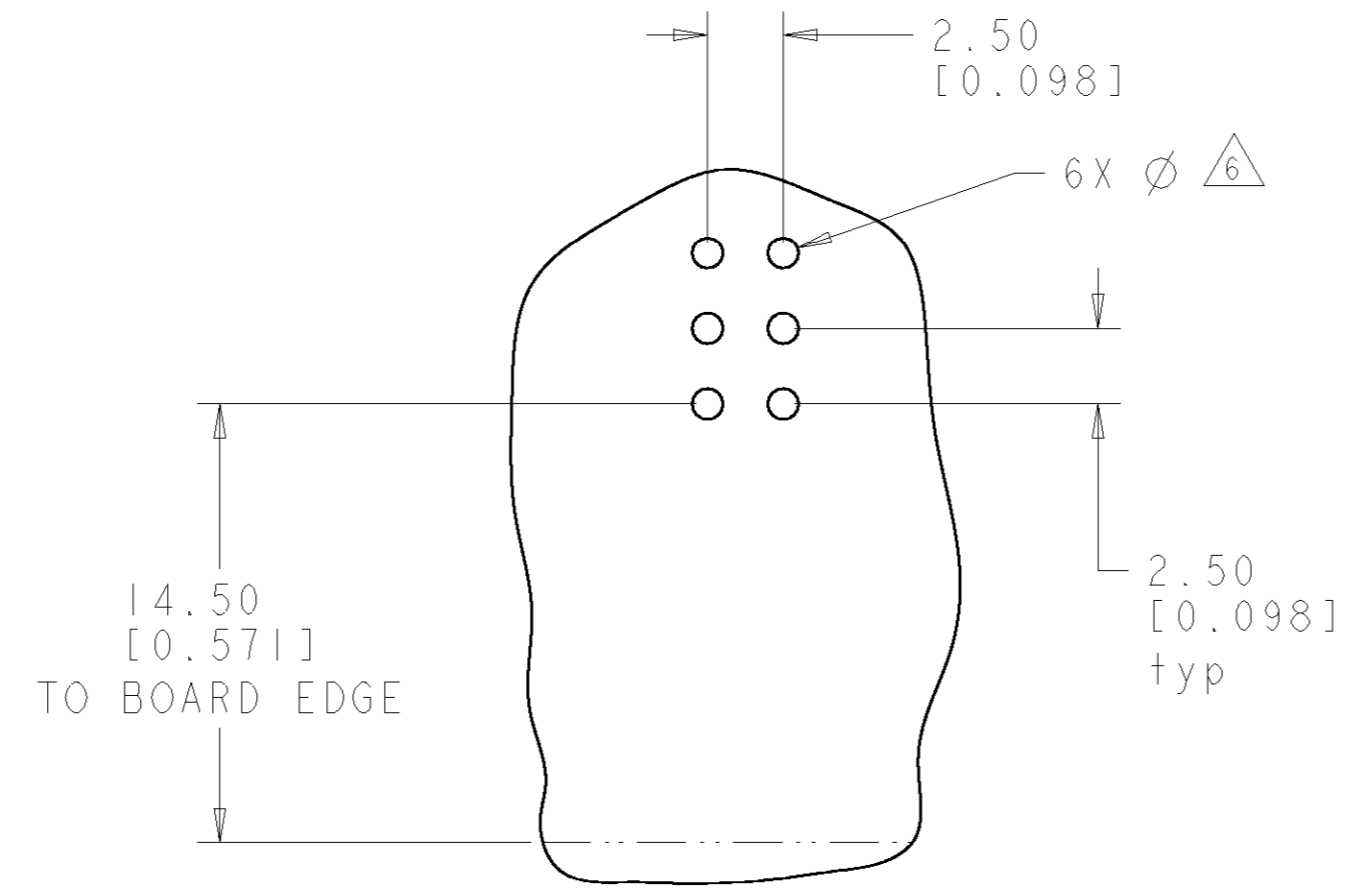
3.56-2.54 [.140-.100]	6648610-2
5.08-4.06 [.200-.160]	6648610-1
DIM "A"	PART NUMBER

ELCON FLATPAQ

THIS DRAWING IS A CONTROLLED DOCUMENT FOR TYCO ELECTRONICS CORPORATION. IT IS SUBJECT TO CHANGE AND THE CONTROLLING ENGINEERING ORGANIZATION SHOULD BE CONTACTED FOR THE LATEST REVISION.		DWN R. GRZYBOWSKI 09MAR2007	Tyco Electronics Harrisburg, PA 17105-3608	
DIMENSIONS: mm [INCHES]		CHK P. DAMATO 09MAR2007	NAME PIN CONNECTOR, RIGHT ANGLE SOLDER, FP314 FLATPAQ	
TOLERANCES UNLESS OTHERWISE SPECIFIED: 0 PLC ±.3 1 PLC ±.3 2 PLC ±.15 3 PLC ±.15 4 PLC ±.15 ANGLES ±5 FINISH		APVD S. FLICKINGER 09MAR2007	RESTRICTED TO	
MATERIAL		PRODUCT SPEC -	SIZE A2	CAGE CODE 200779
		APPLICATION SPEC -	DRAWING NO. 6648610	REV A
		WEIGHT -	SCALE 4:1 SHEET 1 OF 3	
		CUSTOMER DRAWING		

THIS DRAWING IS UNPUBLISHED. RELEASED FOR PUBLICATION 20
 © COPYRIGHT 20 BY TYCO ELECTRONICS CORPORATION. ALL RIGHTS RESERVED.

LOC	DIST	REVISIONS					
GP	00	P	LTR	DESCRIPTION	DATE	DWN	APVD
		-		SEE SHEET 1	-	-	-



PRINTED CIRCUIT BOARD LAYOUT
 COMPONENT SIDE

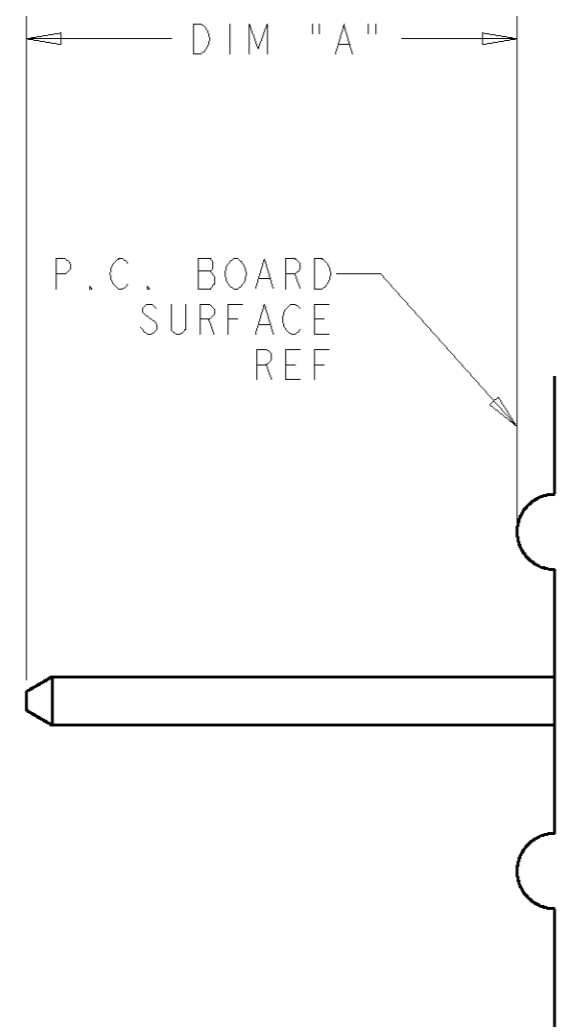
CONNECTOR	CATALOG MODULE #	QTY	SIZE NO.	CONTACT QTY	MATING PIN	MAX. CURRENT (PER CONTACT)	CONTACT SPACING	VOLTAGE RATING
PIN	FP314	1	22	6	.64 [.025] SQ.	3 amps	2.50 [.0984]	125

<small>THIS DRAWING IS A CONTROLLED DOCUMENT FOR TYCO ELECTRONICS CORPORATION. IT IS SUBJECT TO CHANGE AND THE CONTROLLING ENGINEERING ORGANIZATION SHOULD BE CONTACTED FOR THE LATEST REVISION.</small>		DWN 09MAR2007 R. GRZYBOWSKI CHK 09MAR2007 P. DAMATO APVD 09MAR2007 S. FLICKINGER	tyco Electronics Tyco Electronics Harrisburg, PA 17105-3608
DIMENSIONS: mm [INCHES]	TOLERANCES UNLESS OTHERWISE SPECIFIED: 0 PLC ±.3 1 PLC ±.3 2 PLC ±.15 3 PLC ±. 4 PLC ±. ANGLES ±S FINISH	NAME PIN CONNECTOR, RIGHT ANGLE SOLDER, FP314 FLATPAQ	SIZE A200779
MATERIAL -	PRODUCT SPEC - APPLICATION SPEC - WEIGHT - CUSTOMER DRAWING	DRAWING NO. G-6648610	RESTRICTED TO - SCALE 4:1 SHEET 2 OF 3 REV A

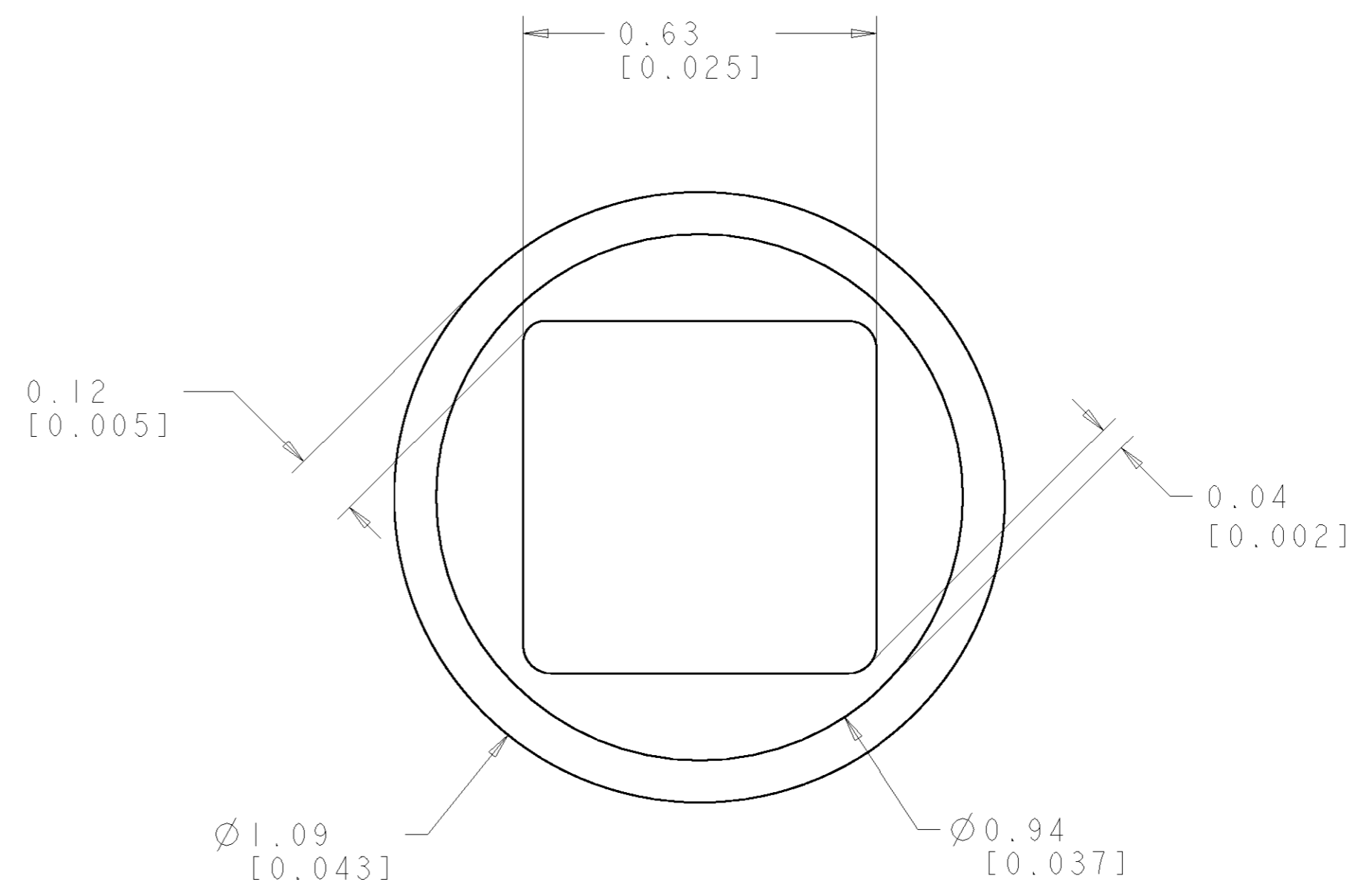
ELCON FLATPAQ

THIS DRAWING IS UNPUBLISHED. RELEASED FOR PUBLICATION 20
 © COPYRIGHT 20 BY TYCO ELECTRONICS CORPORATION. ALL RIGHTS RESERVED.

LOC	DIST	REVISIONS			
P	LTR	DESCRIPTION	DATE	DWN	APVD
GP	00	-	SEE SHEET 1	-	-



5. SOLDER PIN DETAIL
SCALE 10:1



6. SOLDER TERMINATION AREA
SCALE 40:1
 RECOMMENDED PRINTED CIRCUIT SOLDER HOLE
 FINISHED HOLE: Ø1.02 [0.040] ±.08 [0.003]
 DRILLED HOLE: Ø1.15 [0.0453] ±.013 [0.0005]
 COPPER PLATE: .025 [0.0010] MIN
 TIN PLATE: .008 [0.0003] MIN. (PER SURFACE)

ELCON FLATPAQ

<small>THIS DRAWING IS A CONTROLLED DOCUMENT FOR TYCO ELECTRONICS CORPORATION IT IS SUBJECT TO CHANGE AND THE CONTROLLING ENGINEERING ORGANIZATION SHOULD BE CONTACTED FOR THE LATEST REVISION.</small>		DWN R. GRZYBOWSKI 09MAR2007 CHK P. DAMATO 09MAR2007 APVD S. FLICKINGER 09MAR2007	tyco Tyco Electronics Electronics Harrisburg, PA 17105-3608
DIMENSIONS: mm [INCHES]	TOLERANCES UNLESS OTHERWISE SPECIFIED: 0 PLC ±. 1 PLC ±.3 2 PLC ±.15 3 PLC ±. 4 PLC ±. ANGLES ±S FINISH	NAME PIN CONNECTOR, RIGHT ANGLE SOLDER, FP314 FLATPAQ	SIZE A2 CAGE CODE 00779 DRAWING NO. G-6648610 RESTRICTED TO -
MATERIAL -		PRODUCT SPEC -	SCALE 4:1 SHEET 3 OF 3 REV A
		APPLICATION SPEC -	CUSTOMER DRAWING
		WEIGHT -	

单击下面可查看定价，库存，交付和生命周期等信息

[>>TE Connectivity\(泰科\)](#)