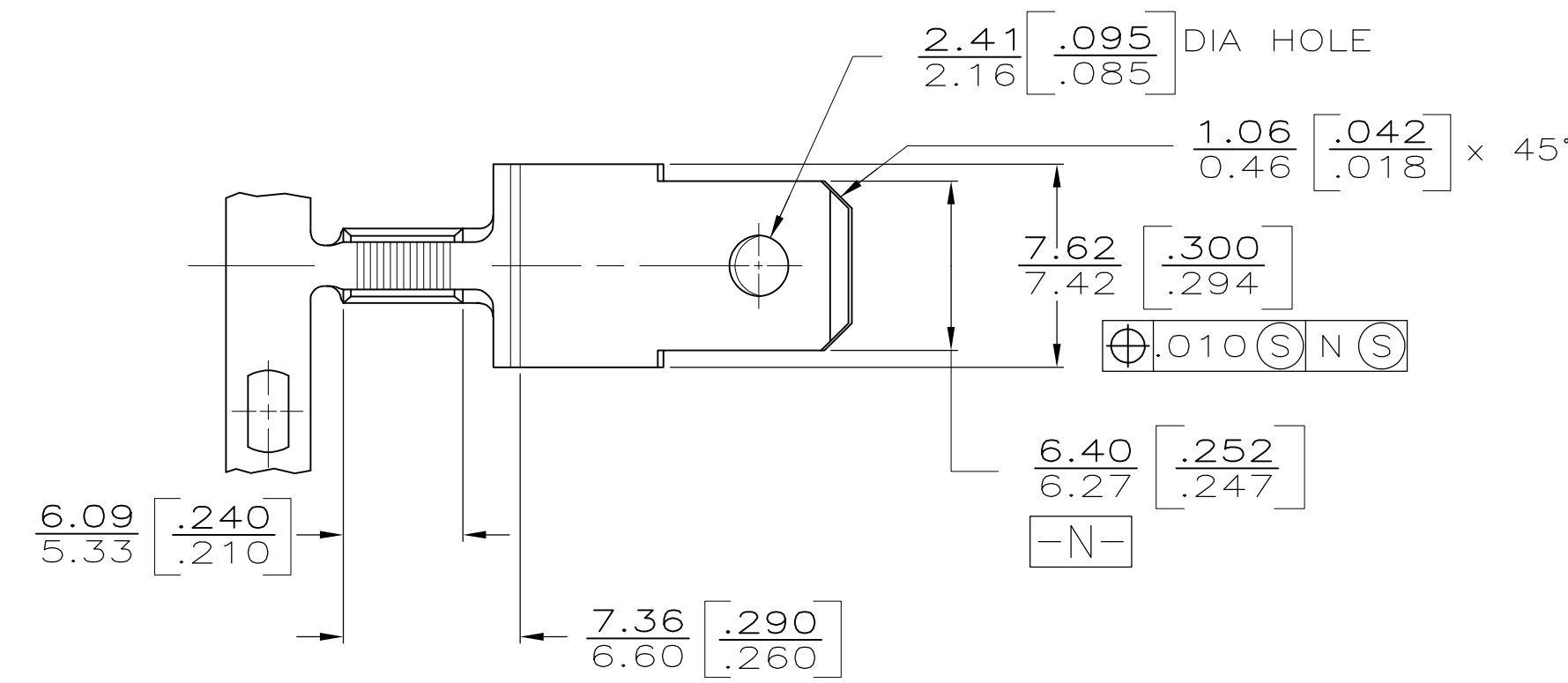
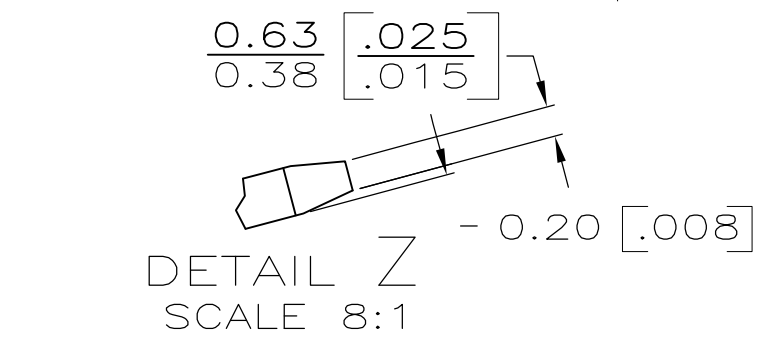
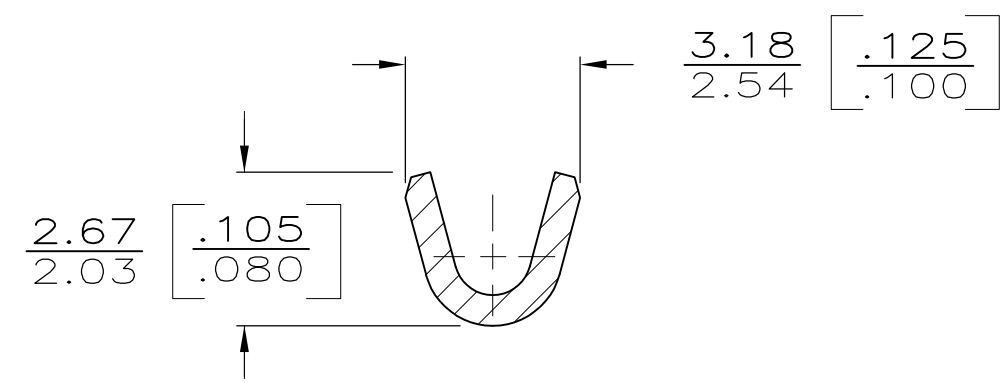
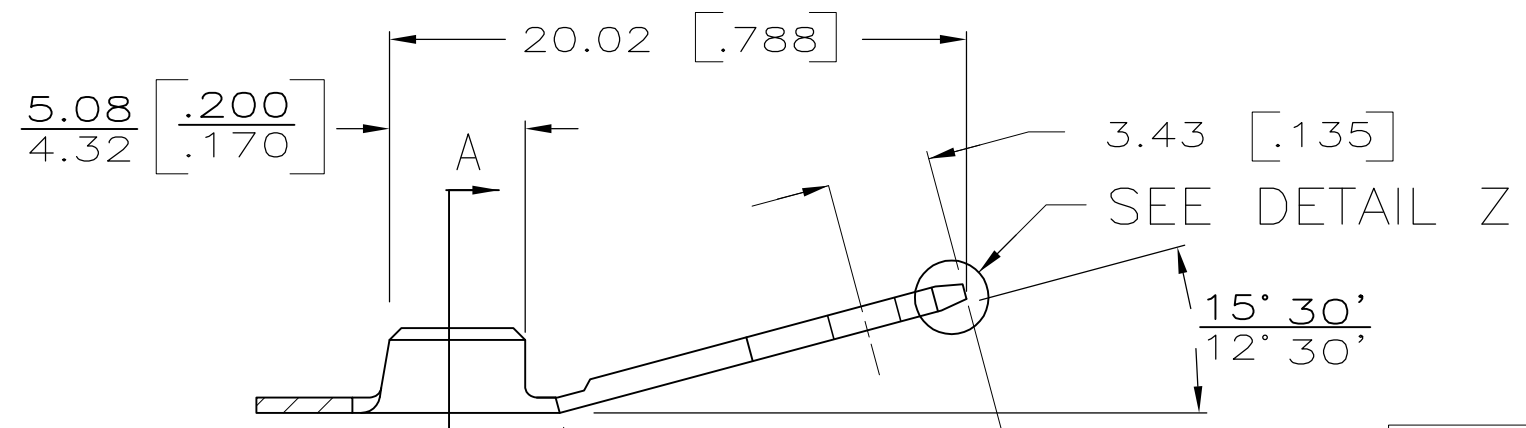


THIS DRAWING IS UNPUBLISHED. RELEASED FOR PUBLICATION
 © COPYRIGHT - By TYCO ELECTRONICS CORPORATION. ALL RIGHTS RESERVED.

LOC	DIST	REVISIONS			
P	LTR	DESCRIPTION	DATE	DWN	APVD
AF	50	N	REVISE PER ECR-13-013738	15FEB2014	GRZ JL



1- DIMENSIONS IN BRACKETS ARE IN INCHES.
 2- CONTINUOUS STRIP ON REELS.



METRIC

REVERSE REEL	0.81 ± 0.025 $\left[.032 \right] \pm 0.001$ PRE-MILLED	0.91-0.57 MM DIA	63165-2
	TO 0.51 ± 0.025 $\left[.020 \right] \pm 0.001$	$\left[19-23 \right]$	63165-1
REELING	MATERIAL	WIRE BARREL	PART NUMBER

THIS DRAWING IS A CONTROLLED DOCUMENT.		DWN JR RUTH 3-21-86	STE TE Connectivity											
DIMENSIONS: INCHES		CHK G YETTER 3-21-86												
TOLERANCES UNLESS OTHERWISE SPECIFIED:		APVD C MEYERS 3-21-86												
<table border="1"> <tr><td>0 PLC</td><td>± -</td></tr> <tr><td>1 PLC</td><td>± -</td></tr> <tr><td>2 PLC</td><td>± -</td></tr> <tr><td>3 PLC</td><td>± .010</td></tr> <tr><td>4 PLC</td><td>± -</td></tr> <tr><td>ANGLES</td><td>± -</td></tr> </table>		0 PLC			± -	1 PLC	± -	2 PLC	± -	3 PLC	± .010	4 PLC	± -	ANGLES
0 PLC	± -													
1 PLC	± -													
2 PLC	± -													
3 PLC	± .010													
4 PLC	± -													
ANGLES	± -													
MATERIAL BRASS	FINISH TIN	PRODUCT SPEC	.250 FASTON AMPLIVAR TAB											
		APPLICATION SPEC	SIZE A3	CAGE CODE 00779	DRAWING NO C-63165									
		WEIGHT -	RESTRICTED TO -											
CUSTOMER DRAWING			SCALE NTS	SHEET 1 OF 1	REV N									

单击下面可查看定价，库存，交付和生命周期等信息

[>>TE Connectivity\(泰科\)](#)