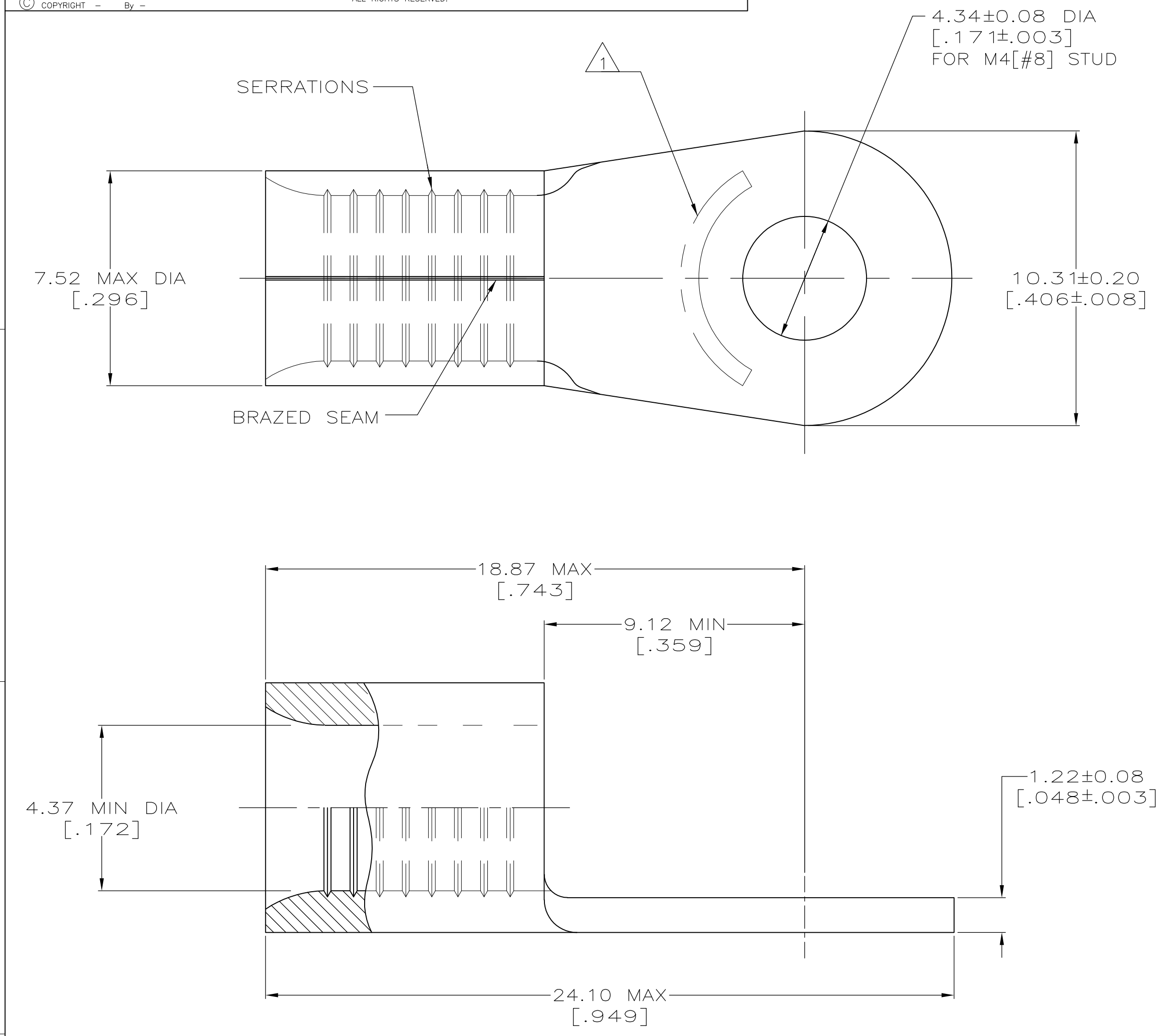


LOC	DIST	REVISIONS					
G	14	P	LTR	DESCRIPTION	DATE	OWN	APVD
		S4		REVISED PER ECO-14-007073	13MAY2014	NK	DR



AMP
WIRE RANGE

8 AWG
SOLID OR STRANDED

- 1 STAMP AMP 8* APPROX AS SHOWN
- 2 COPPER PER ASTM B-152, ANNEALED
- 3 UL LISTED E13288, 8 AWG STRANDED
- 4 CSA CERTIFIED LR7189, 8 AWG STRANDED
- 5 MILITARY MS20659-140 CLASS 2
- 6 TIN PLATE 0.00254 [.000100] MIN THK PER ASTM B545
- 7 NICKEL PLATE 0.00762 [.000300] MIN THK PER QQ-N-290.
- 8 TIN-LEAD (60-40) PLATE 0.00254 [.000100] MIN THK PER SAE-AMS-P-81728
- 9 TIN-LEAD (93-7) PLATE 0.00254 [.000100] MIN THK PER ASTM-B545 (3% MIN LEAD CONTENT)
- 10 LONGER WIRE BARREL THAN OTHER #8 AWG; PROPER WIRE STRIP LENGTH: 9.12-9.94 [.359-.390]; IGNORE TOOLING INSTRUCTION SHEET STRIP LENGTH
- 11 PRELIMINARY - NOT FOR PRODUCTION

---	170°C [338°F]	1500	324061 ON TAPE	6	3-324061-1
---	343°C [649°F]	----	LOOSE PIECE	7	2-324061-5
---	170°C [338°F]	100	LOOSE PIECE	9	11 324061-2
---	170°C [338°F]	50	LOOSE PIECE	8	11 324061-1
3 4 5	170°C [338°F]	100	LOOSE PIECE	6	324061
APPROVALS	MAX OPERATING TEMPERATURE	QTY	PACKAGE TYPE	FINISH	PART NO.

**AMP INCORPORATED
CUSTOMER SERVICE SYSTEMS**

FOR ADDITIONAL PRODUCT INFORMATION OR COPIES OF DRAWINGS AND TECHNICAL DOCUMENTS
 PRODUCT INFORMATION CENTER
 1-800-522-6752

FOR APPLICATION TOOLING INFORMATION
 TOOLING ASSISTANCE CENTER
 1-800-722-1111

FOR ORDER ENTRY
 1-800-526-5142

MAX RECOMMENDED OPERATING TEMPERATURE:
SEE TABLE

VOLTAGE RATING:
N/A

CIRCULAR MIL AREA:
6.64-10.5mm² [13,100-20,800]
SOLID OR STRANDED

THIS DRAWING IS A CONTROLLED DOCUMENT FOR AMP INCORPORATED. IT IS SUBJECT TO CHANGE AND THE CONTROLLING ENGINEERING ORGANIZATION SHOULD BE CONTACTED FOR THE LATEST REVISION.

THIS DRAWING IS A CONTROLLED DOCUMENT.

DIMENSIONS: mm [INCHES]

TOLERANCES UNLESS OTHERWISE SPECIFIED:

0 PLC	± -
1 PLC	± -
2 PLC	± -
3 PLC	± -
4 PLC	± -
ANGLES	± -

MATERIAL: 2

FINISH: SEE TABLE

WEIGHT: 2.99 GRAMS

CUSTOMER DRAWING

STE TE Connectivity

NAME: TERMINAL, RING TONGUE, SOLISTRAND

SIZE: A2 CAGE CODE: 00779 DRAWING NO: G-324061

RESTRICTED TO: -

SCALE: 8:1 SHEET: 1 OF 1 REV: S4

单击下面可查看定价，库存，交付和生命周期等信息

[>>TE Connectivity\(泰科\)](#)