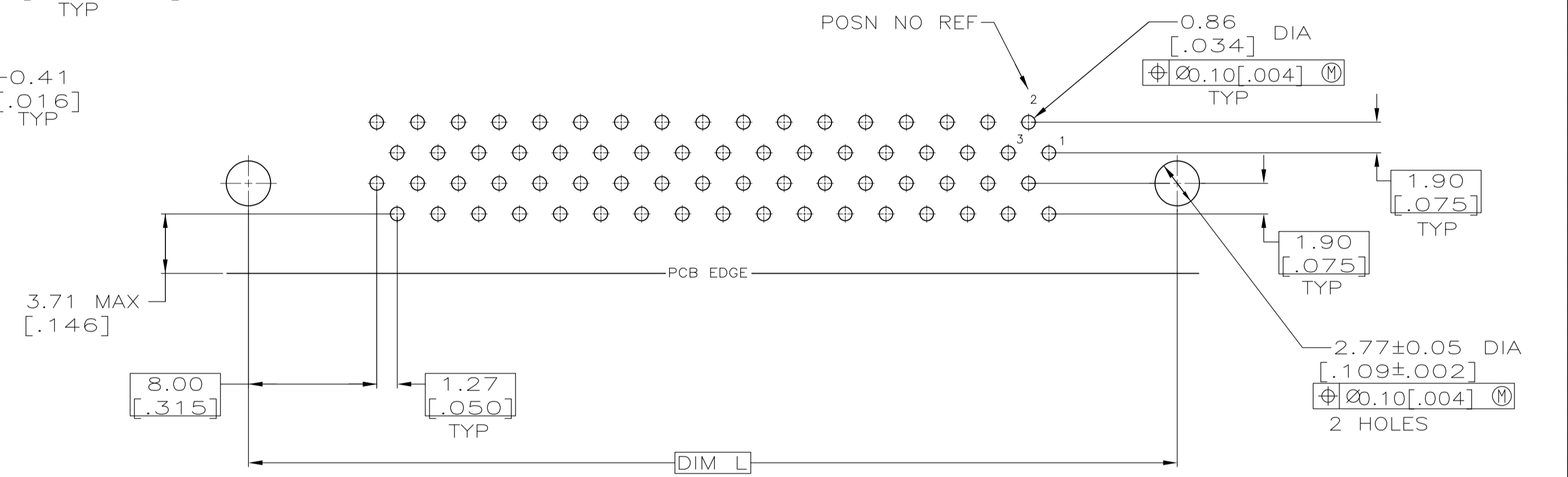
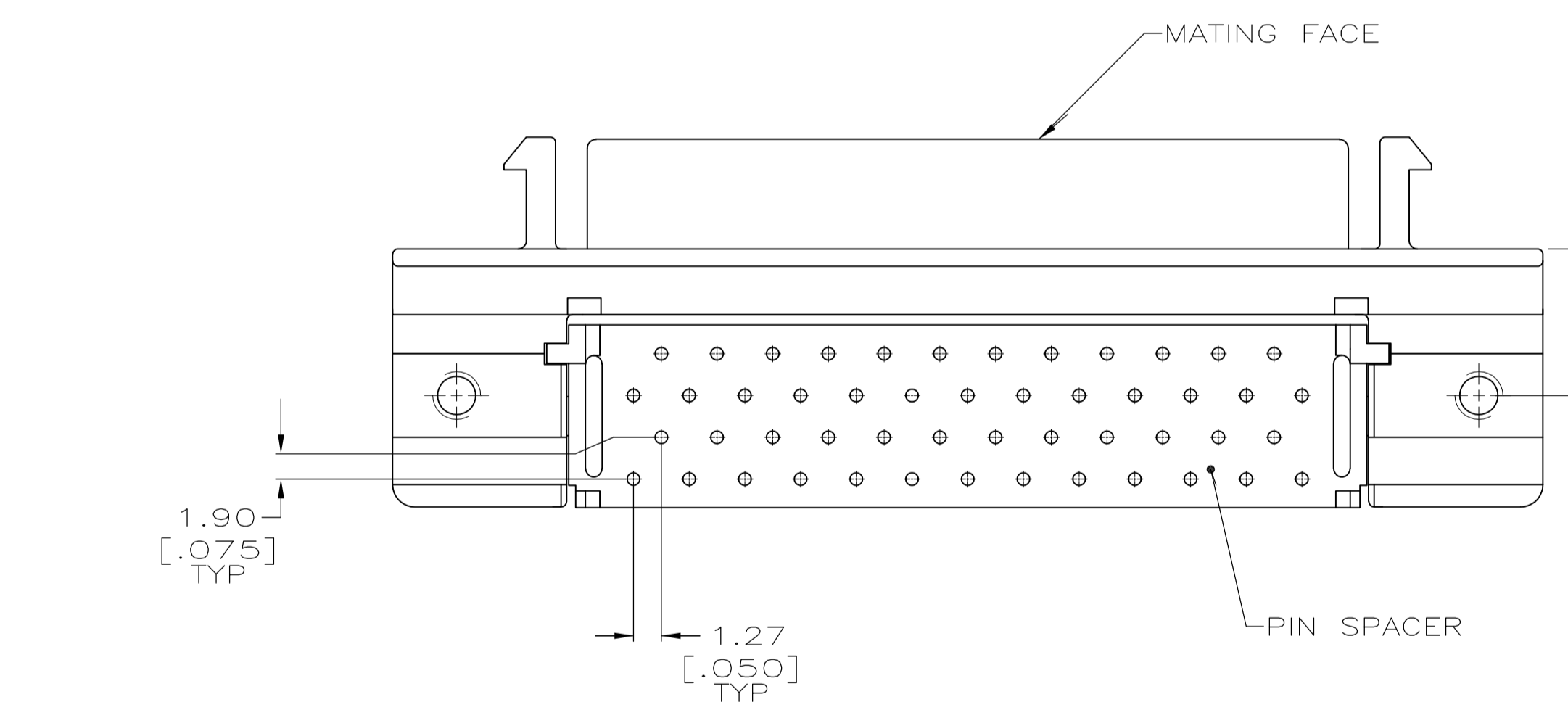


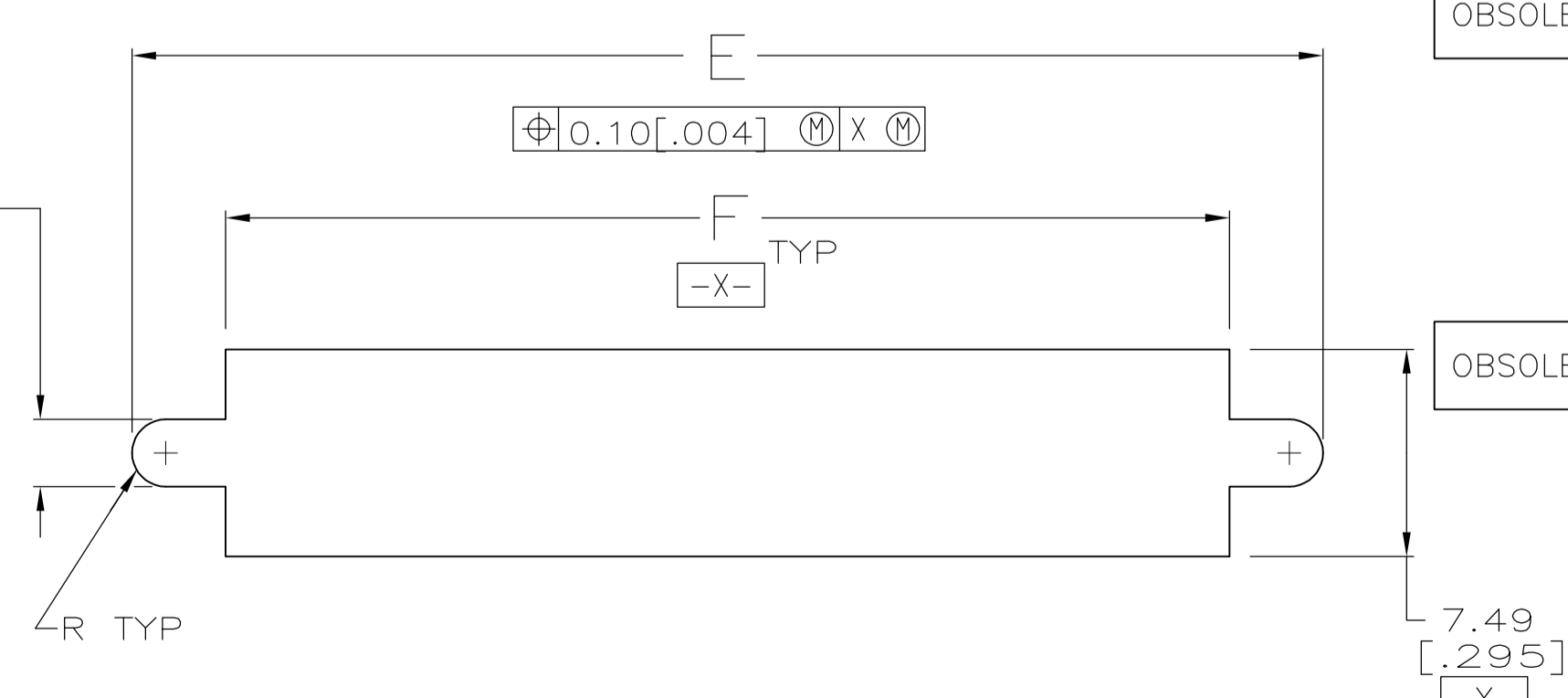
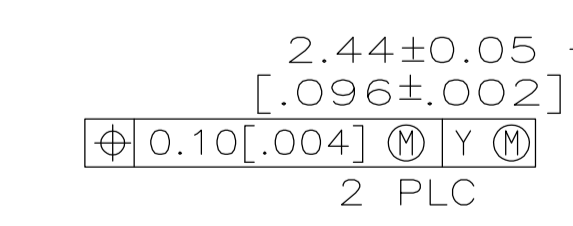
P.C. BOARD MOUNTING DIMENSIONS
CONNECTOR SIDE
P.C. BOARD THICKNESS 1.57±0.20 [0.062±0.008]
PC BOARD PATTERN S



P.C. BOARD MOUNTING DIMENSIONS
CONNECTOR SIDE
P.C. BOARD THICKNESS 1.57±0.20 [0.062±0.008]
PC BOARD PATTERN T

1 MATERIAL
CONTACTS: PHOSPHOR BRONZE
HOUSING & PIN SPACER: UL 94V-0 RATED, THERMOPLASTIC, BLACK
BRACKET: ZINC
SHELL: CARBON STEEL

2 FINISH
CONTACTS: EITHER 0.76µm [0.00030] MIN GOLD PLATE FOR A LENGTH OF 0.64 [0.025] MAX, 0.13 [0.005] MIN FROM MATING END OR GOLD FLASH OVER PALLADIUM NICKEL PLATE, 0.76µm [0.00030] MIN TOTAL FOR A LENGTH OF 0.64 [0.025] MAX, 0.13 [0.005] MIN FROM MATING END. 3.81µm [0.00150] MIN TIN-LEAD ON OPPOSITE END FOR A LENGTH OF 2.72 [0.107] MIN, BOTH OVER 1.27µm [0.00050] MIN NICKEL.
SHELL: 5.08µm [0.000200] MIN NICKEL OVER 1.27µm [0.00050] MIN COPPER.
BRACKET: 2.54µm [0.000100] MIN NICKEL OVER 5.08µm [0.000200] COPPER.



RECOMMENDED PANEL CUTOUT

OBSOLETE	T	78.23 [3.080]	0.64 [0.025]	74.55 [2.935]	80.67 [3.176]	84.20 [3.315]	66.45 [2.616]	78.23 [3.080]	100	787394-9
	T	65.53 [2.580]	0.64 [0.025]	61.85 [2.435]	67.97 [2.676]	71.50 [2.815]	53.75 [2.116]	65.53 [2.580]	80	787394-8
OBSOLETE	T	57.91 [2.280]	0.64 [0.025]	54.23 [2.135]	60.35 [2.376]	63.88 [2.515]	46.13 [1.816]	57.91 [2.280]	68	787394-7
	S	46.48 [1.830]	1.27 [0.050]	42.80 [1.685]	48.92 [1.926]	52.45 [2.065]	34.70 [1.366]	46.48 [1.830]	50	787394-5
OBSOLETE	T	32.51 [1.280]	0.64 [0.025]	28.83 [1.135]	34.95 [1.376]	38.48 [1.515]	20.73 [0.816]	32.51 [1.280]	28	787394-3
	S	31.24 [1.230]	1.27 [0.050]	27.56 [1.085]	33.68 [1.326]	37.21 [1.465]	19.46 [0.766]	31.24 [1.230]	26	787394-2
PC BOARD PATTERN	L	G	F	E	D	B	A	NO OF POSN		PART NUMBER

THIS DRAWING IS A CONTROLLED DOCUMENT.

DIMENSIONS: mm [INCHES]	TOLERANCES UNLESS OTHERWISE SPECIFIED:	APPROVED: R. WALTER 02/14/95	NAME: R. WALTER	DATE: 02/14/95	PRODUCT SPEC: 108-1228	APPLICATION SPEC: 114-40029	SIZE: A1	CAGE CODE: 00779	DRAWING NO: 787394	RESTRICTED TO: CUSTOMER DRAWING
-------------------------	--	------------------------------	-----------------	----------------	------------------------	-----------------------------	----------	------------------	--------------------	---------------------------------

THIS DRAWING IS A CONTROLLED DOCUMENT. W.G. LENKER 02/07/95, R. STONE 02/14/95, R. WALTER 02/14/95.

Tyco Electronics Corporation, Harrisburg, PA 17105-3608

RECEPTACLE ASSEMBLY, SHIELDED, TM, RIGHT ANGLE, .050 SERIES AMPLIMITE

SCALE: 4:1, SHEET 1 OF 1, REV S

单击下面可查看定价，库存，交付和生命周期等信息

[>>TE Connectivity\(泰科\)](#)