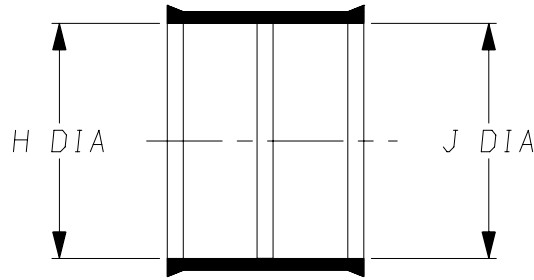
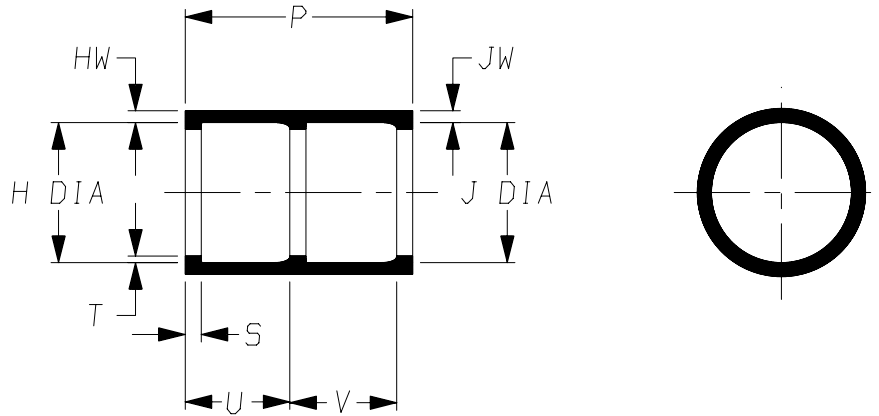


a) Part as supplied.

202K163-\*G42



b) Part after unrestricted recovery.



**DIMENSIONS** in millimetres  
(in inches, for reference)

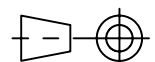
Part No.	H		J		P	S	T	U	V	HW	JW
	Min a	Max b	Min a	Max b	±10% b	±10% b	±10% b	±10% b	±10% b	±10% b	±20% b
202K163-*G42	43 (1.69)	28.2 (1.11)	43 (1.69)	28.2 (1.11)	43 (1.69)	3.0 (0.12)	1.7 (0.07)	20 (0.79)	20 (0.79)	2.2 (0.09)	2.2 (0.09)
			#	#							#

This is a trimmed variant  
Modified dimensions are shown thus:- #

**Copyright (!)**

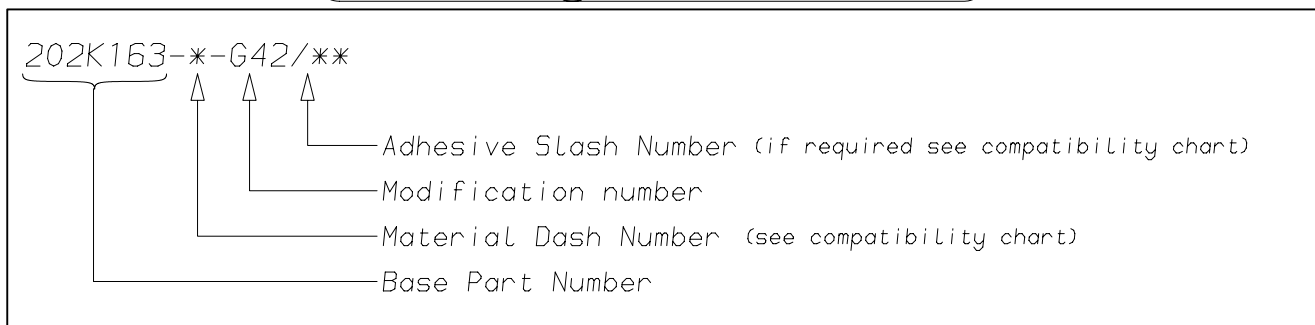
The copyright in this drawing is the property of Tyco Electronics UK Ltd. The drawing is issued on the condition that it is not copied, reproduced or disclosed to a third party, either in whole or in part without the prior written consent of Tyco Electronics UK Ltd.

Drawn A.LILLEY. Checked Issue 3 Date September 2007 Conforms to ISO Recommendations  
Approval Design MKTG. Q.A. 3rd Angle Projection Not to Scale



<b>Raychem</b>		<b>Specification Control Drawing</b>	Part Number 202K163-*G42 Issue 3
Iss.	Date	E.C.R. No.	Details of Change
2	June 1997	****	Redrawn
3	September 2007	CR06-HM-012	Imperial dimensions added

### (Ordering Information)



### (COMPATIBILITY CHART)

Material Dash Number	Material Description	SPEC Number	Coating Slash Number
-3	POLYOLEFIN, SEMI-RIGID	RT-301	/42, /86, /180
-4	POLYOLEFIN, FLEXIBLE	RT-1304	/42, /86, /180
-6	SILICON	RT-602	N/A
-25	ELASTOMER, FLUID RESISTANT	RW-2070	/42, /86, /225
-130	POLYOLEFIN, COMMERCIAL FLEXIBLE	RW-2008	/42

#### NOTES

- ① As supplied dimensions are for uncoated parts, when coating is added, entry diameters will reduce by 1.5mm Max.

Tyco Electronics UK Ltd. Faraday Road, Swindon, Wiltshire, SN3 5HH England Telephone: (01793) 528171 Fax: 572516	Tyco Electronics Corporation 300, Constitution Drive, Menlo Park, CA 94025 USA Telephone (650) 361-3860 Fax: (650) 361-5579
Cage Code K1010	Cage Code 06090

单击下面可查看定价，库存，交付和生命周期等信息

[>>TE Connectivity\(泰科\)](#)