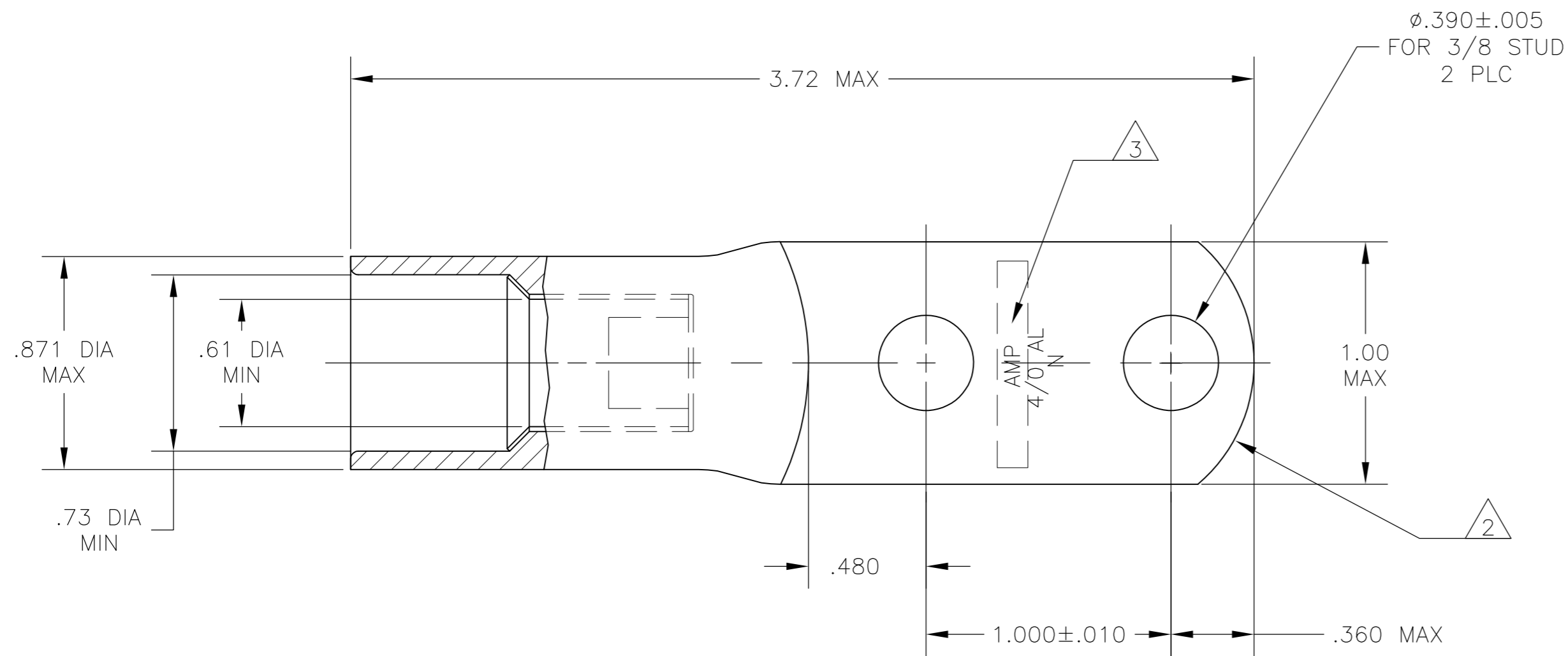
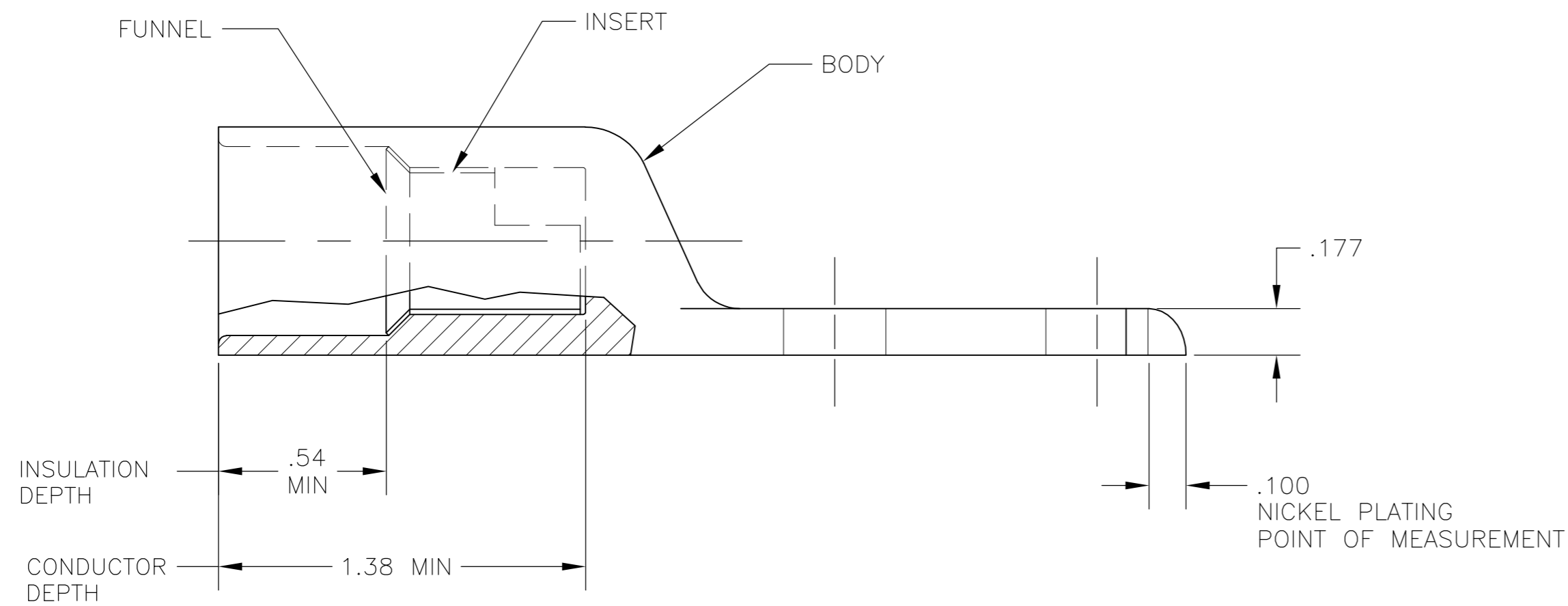


THIS DRAWING IS UNPUBLISHED. RELEASED FOR PUBLICATION
 © COPYRIGHT - By - ALL RIGHTS RESERVED.

LOC		DIST		REVISIONS			
P	LTR	DESCRIPTION	DATE	DWN	APVD		
	C	REV PER ECO-15-017559	06JAN16	KG	PD		



- 1 WIRE INSULATION: .590-.683 DIA
- 2 THE TONGUE RADIUS FEATURE IS NOT A TOOLING CONTROLLED DIMENSION AND MAY NOT BE A TRUE RADIUS.
- 3 STAMP "AMP 4/0 AL N" SIZE AND LOCATION APPROX AS SHOWN



INSERT & FUNNEL: BRASS MIL-C-50 NICKEL PL QQ-N-290 .000300 AVG THK	1958078-1
BODY: COPPER ASTM-B187 ANNEALED NICKEL PL .000300 MIN THK PER QQ-N-290	
MATERIAL & FINISH	PART NO.

THIS DRAWING IS A CONTROLLED DOCUMENT.		DWN jr ruth 31JAN07	TE Connectivity	
DIMENSIONS: INCHES	TOLERANCES UNLESS OTHERWISE SPECIFIED:	CHK JOHN KNOLL 31JAN07	NAME	
	0 PLC ± -	APVD JOHN KNOLL 31JAN07	PRODUCT SPEC	
	1 PLC ± -		APPLICATION SPEC	
	2 PLC ± .01		SIZE	CAGE CODE
	3 PLC ± .008		WEIGHT	DRAWING NO
	4 PLC ± -		120 GRAMS	A2 00779 C-1958078
	ANGLES ± .03SEP07		CUSTOMER DRAWING	RESTRICTED TO
MATERIAL SEE TABLE	FINISH SEE TABLE		SCALE	SHEET
			2:1	1 of 1
			REV	C

单击下面可查看定价，库存，交付和生命周期等信息

[>>TE Connectivity\(泰科\)](#)