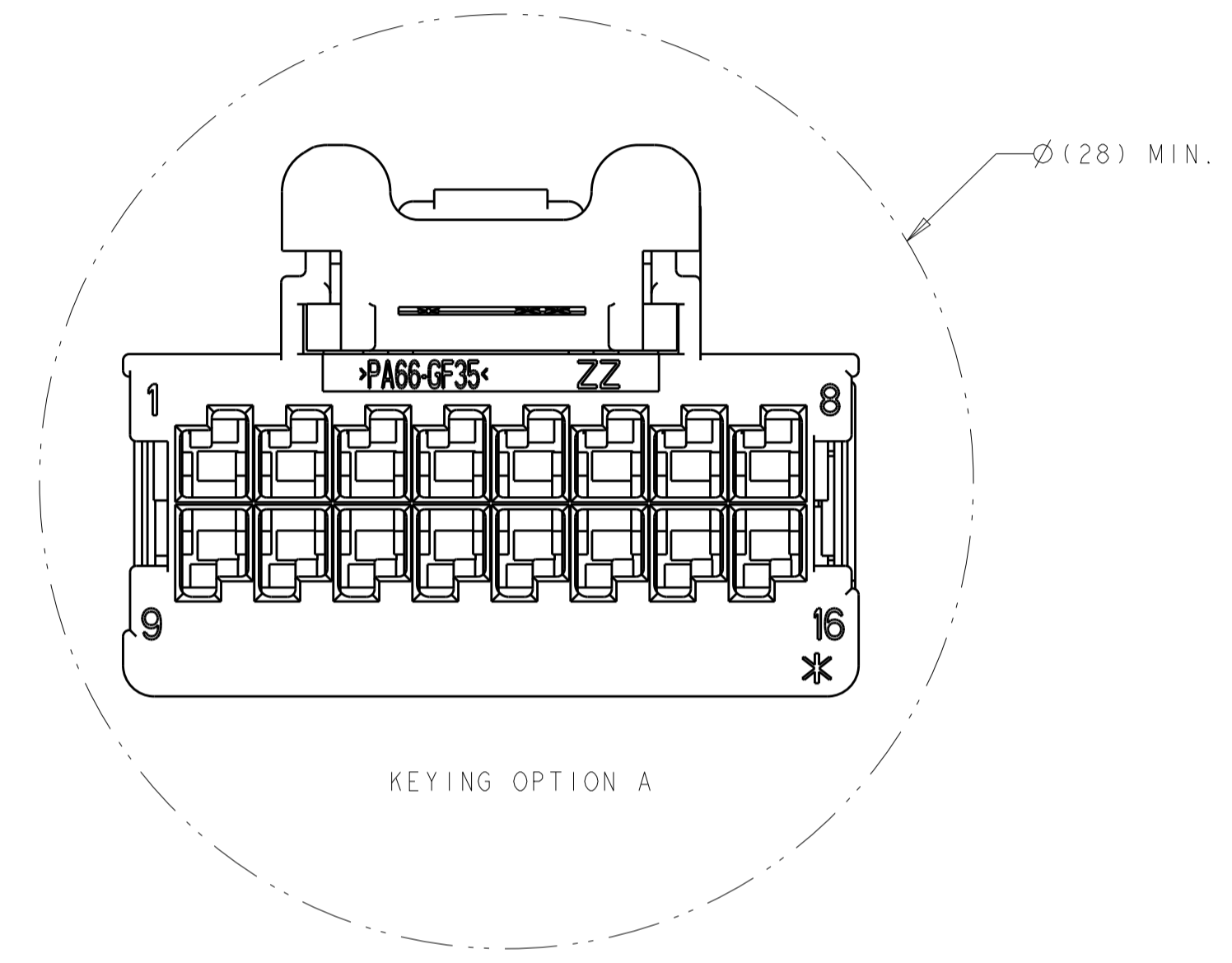
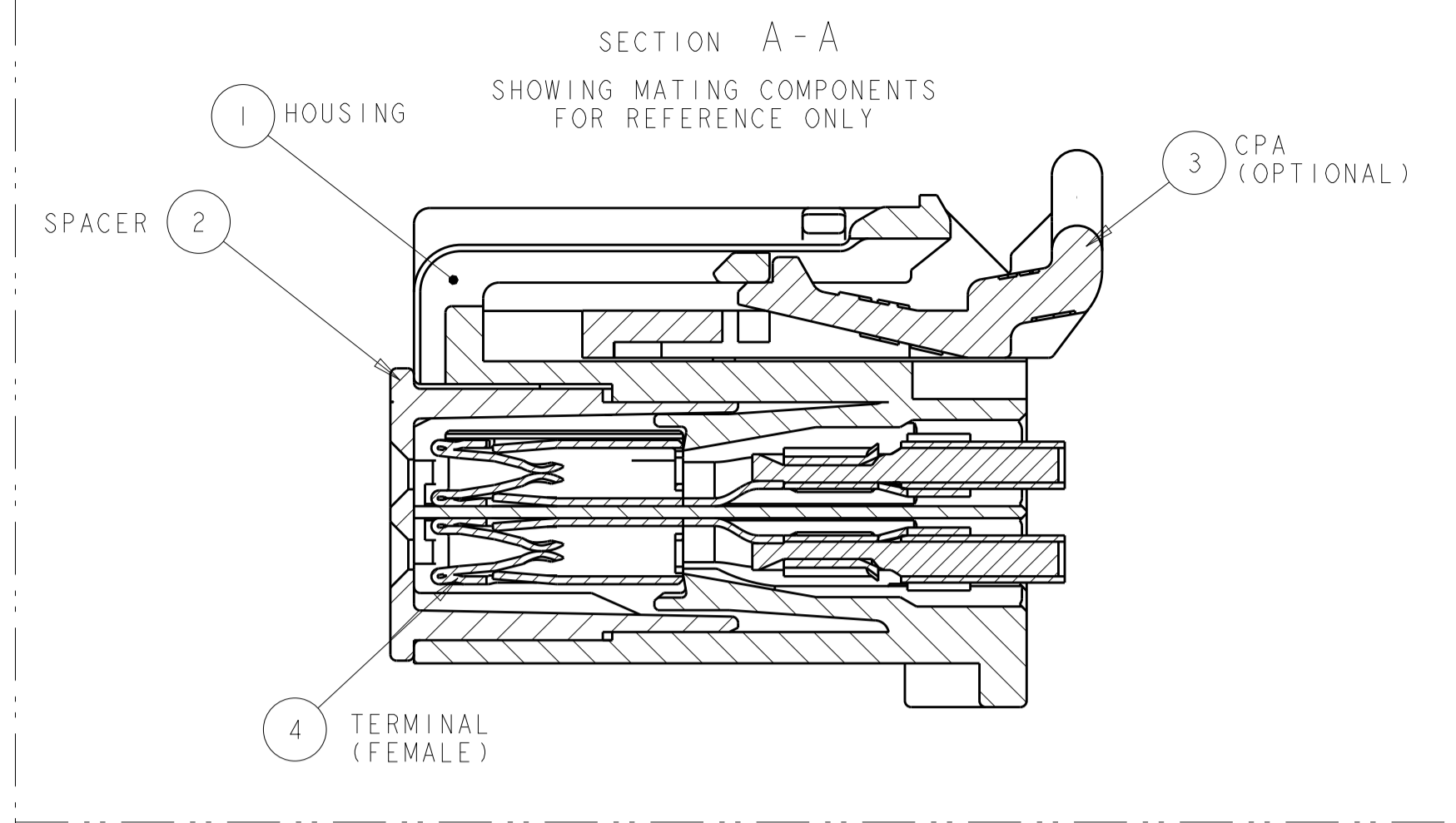
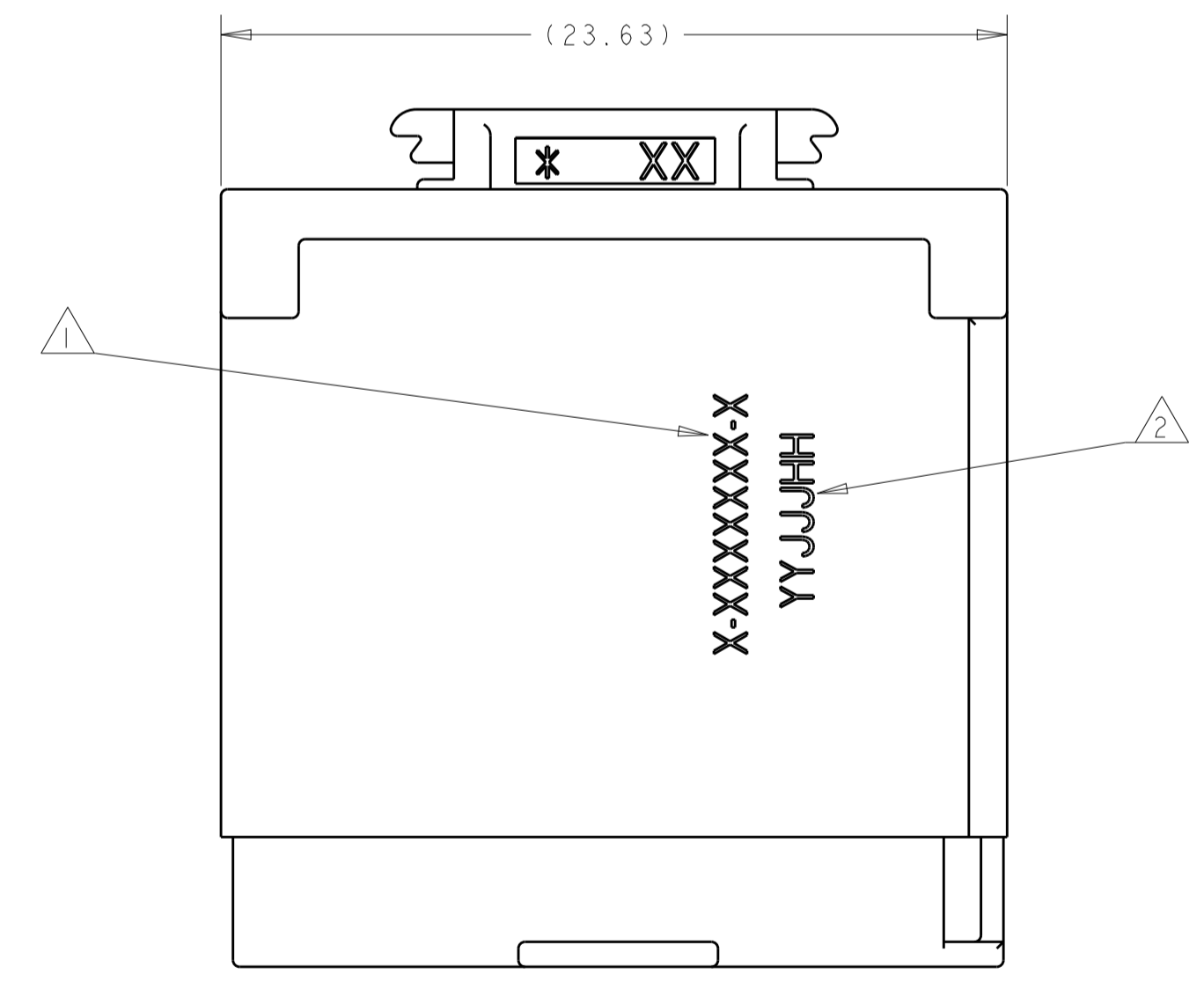
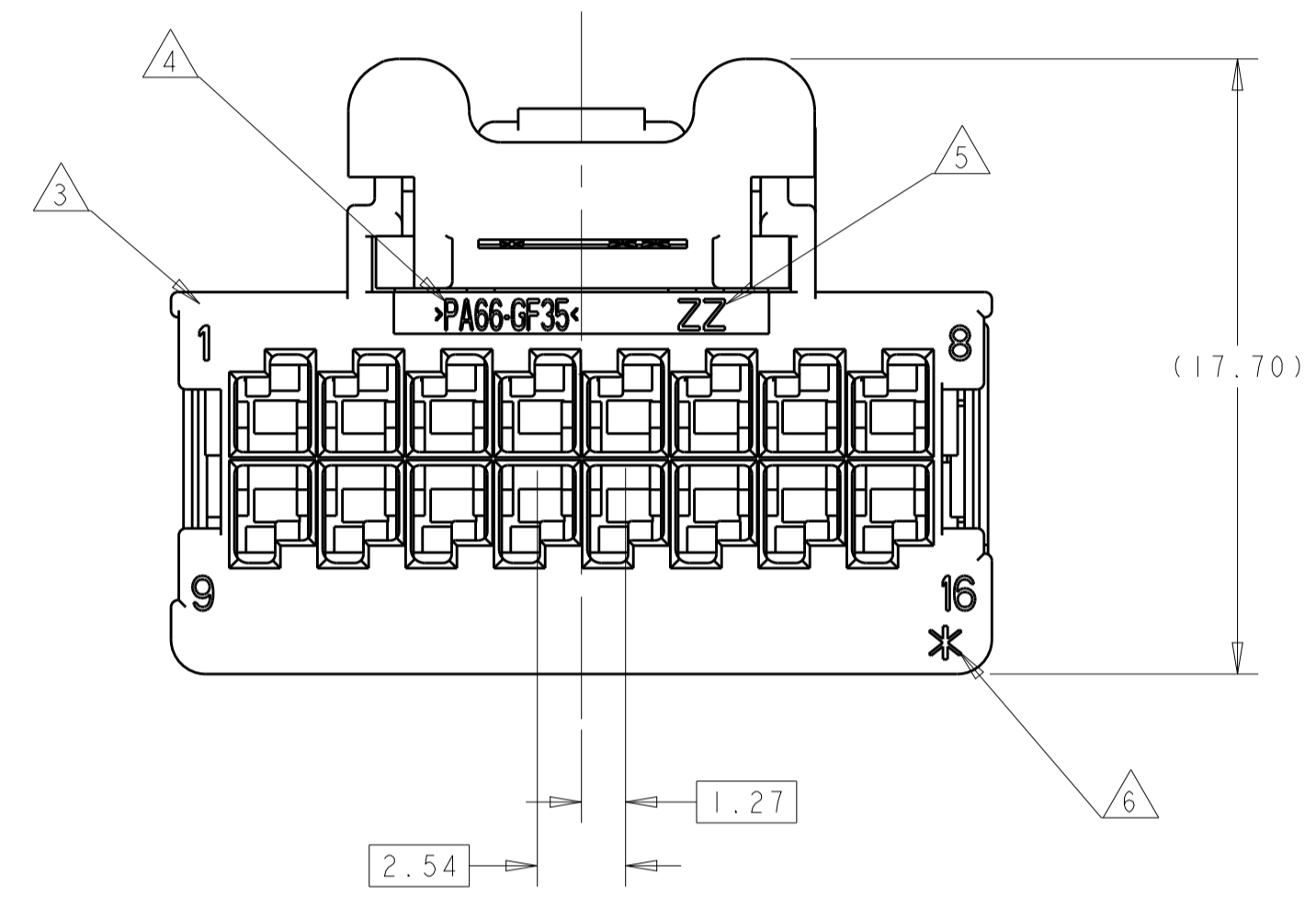


ASSEMBLY WITH CPA



REVISIONS				
P.	LTN.	DESCRIPTION	DATE	APVD.
	C	REVISED PER ECR-07-016022	30JUL2007	DLD DCS
	C1	REVISED PER ECO-13-019739	06JAN2014	DD RL
	C2	REVISED PER ECO-19-015741	22OCT2019	JMS CM

- 1. TE CONNECTIVITY ASSY PART-NO. ACCORDING TO TABLE, LASER PRINTED, WHITE INK PERMITTED AS ALTERNATIVE.
- 2. DATE CODE, FORMAT, YY=YEAR JJJ=DAY HH=HOUR, LASER PRINTED, WHITE INK PERMITTED AS ALTERNATIVE. SINGLE DIGIT HOUR NOTE ACCEPTABLE.
- 3. TERMINAL CAVITY ID.
- 4. MATERIAL ID.
- 5. MOLD CAVITY ID.
- 6. TE LOGO.
- 7. KEY "A" NOT RECOMMENDED FOR NEW APPLICATIONS.
- 8. PACKING: PARTS BULK PACKED IN CARDBOARD BOX.

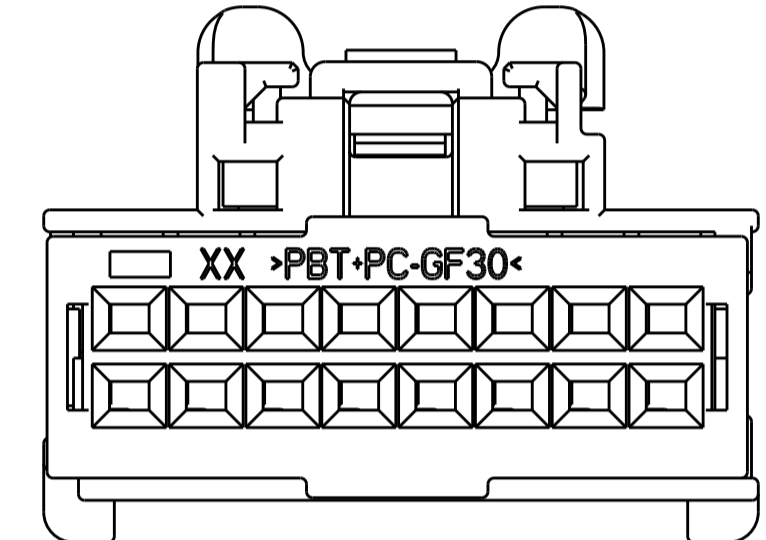
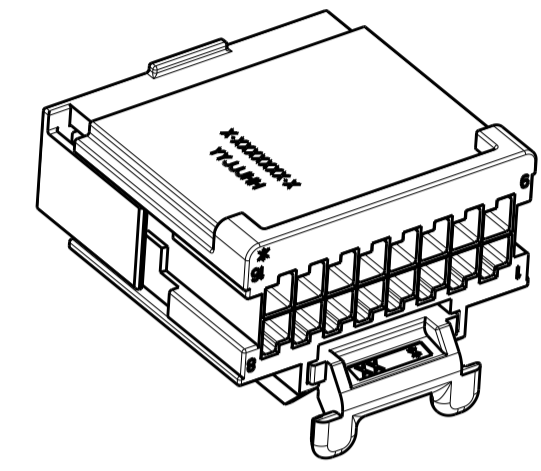
1456989-7	1456989-6	1456989-5	1456989-4	1456989-3	1456989-2	1456989-1	<----- ASSEMBLY PN						
-	-	-	-	-	I	-	CPA	PBT-GF20	RED	3			
I	I	I	I	I	I	I	SPACER	PBT+PC-GF30	RED	2			
I	-	-	-	-	-	-	HOUSING; KEY F	PA66-GF35	BLACK	I			
-	I	-	-	-	-	-	HOUSING; KEY E	PA66-GF35	BLACK	I			
-	-	I	-	-	-	-	HOUSING; KEY D	PA66-GF35	BLACK	I			
-	-	-	I	-	-	-	HOUSING; KEY C	PA66-GF35	BLACK	I			
-	-	-	-	I	-	-	HOUSING; KEY A	PA66-GF35	LT. GREY	I			
-	-	-	-	-	I	I	HOUSING; KEY A	PA66-GF35	BLACK	I			
							DESCRIPTION	MATERIAL	COLOR	ITEM NO			
QTY REQ'D PER ASSY							REVISION OF EACH ASSY NO (WHEN BLANK, USE DWG REVISION)						
							WEIGHT OF EACH ASSY NO (g)						

PARTS LIST

THIS DRAWING IS A CONTROLLED DOCUMENT.		DWN: R. VESTAL 30OCT2006	TE TE Connectivity
DIMENSIONS: mm		CHK: D. STRAUSSER 30OCT2006	
TOLERANCES UNLESS OTHERWISE SPECIFIED:		APVD: D. STRAUSSER 30OCT2006	2X8 POSITION, GET FEMALE CONNECTOR UNSEALED ASSEMBLY
0 PLC ±		PRODUCT SPEC	
1 PLC ±		APPLICATION SPEC	SIZE: CAGE CODE DRAWING NO
2 PLC ±		WEIGHT	RESTRICTED TO
3 PLC ±		CUSTOMER DRAWING	A100779C=1456989
4 PLC ±		SCALE: 5:1	SHEET 1 OF 2
ANGLES ±			REV: C2
FINISH			

REVISIONS				
P.	LTN	DESCRIPTION	DATE	APVD
-		SEE SHEET 1	-	-

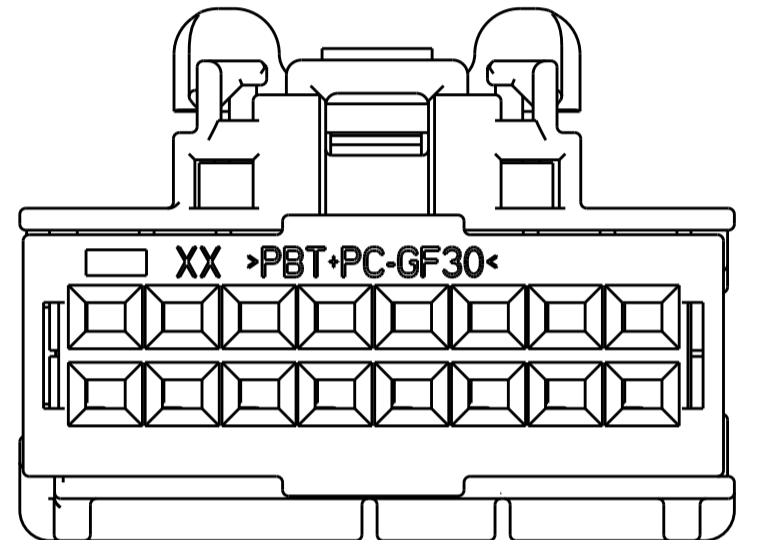
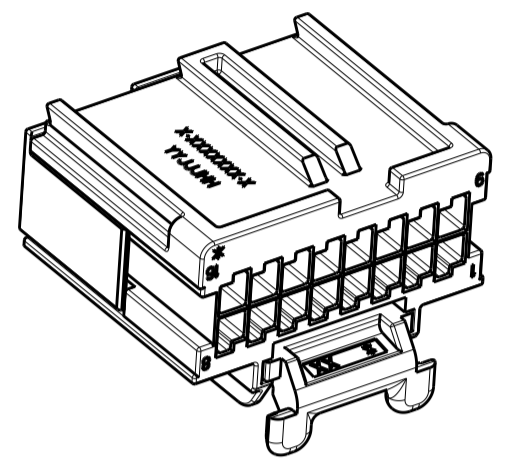
KEYING OPTION A



4:1

(SHOWN WITH CPA)

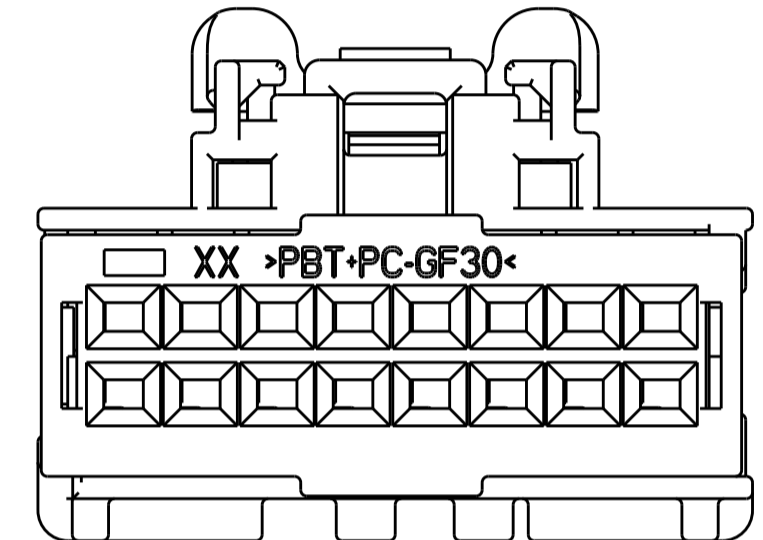
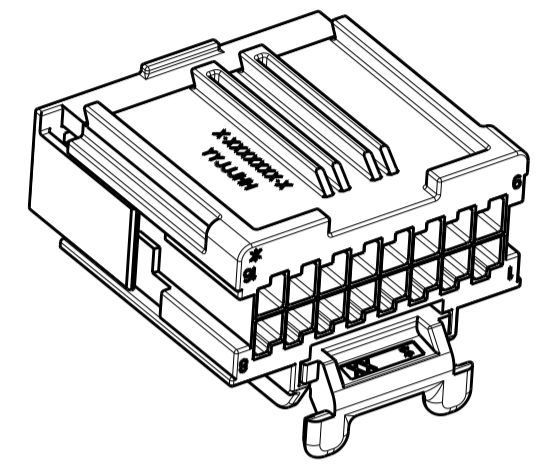
KEYING OPTION C



4:1

(SHOWN WITH CPA)

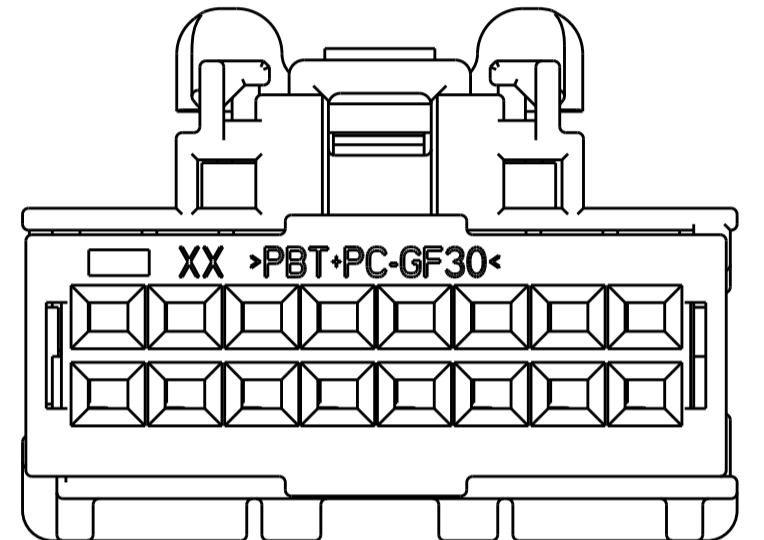
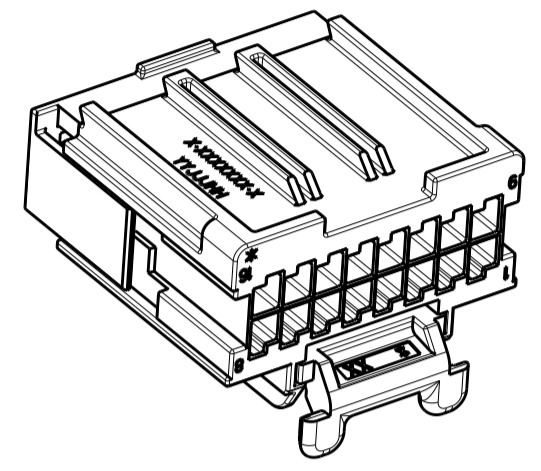
KEYING OPTION D



4:1

(SHOWN WITH CPA)

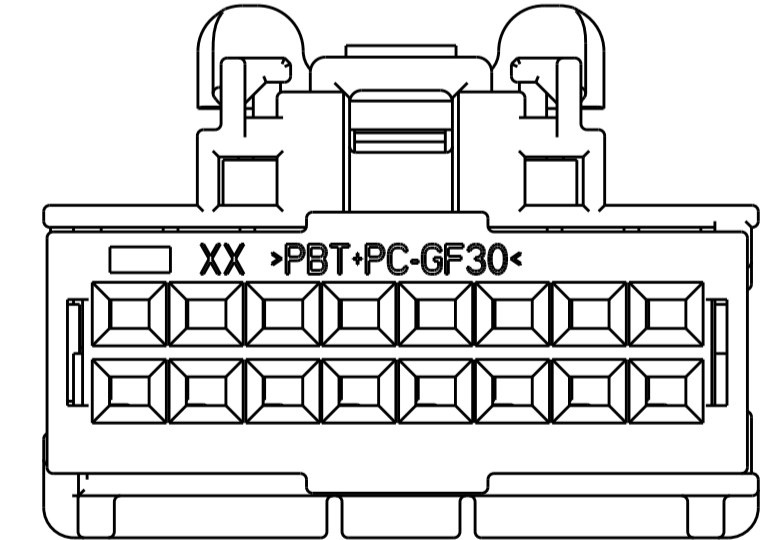
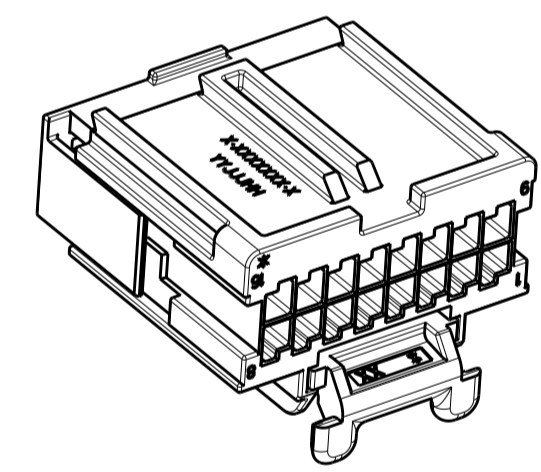
KEYING OPTION E



4:1

(SHOWN WITH CPA)

KEYING OPTION F



4:1

(SHOWN WITH CPA)

THIS DRAWING IS A CONTROLLED DOCUMENT.		DWN R. VESTAL	30OCT2006		TE Connectivity
DIMENSIONS:		CHK D. STRAUSSER	30OCT2006		
mm	TOLERANCES UNLESS OTHERWISE SPECIFIED:	APVD D. STRAUSSER	30OCT2006	NAME 2X8 POSITION, GET FEMALE CONNECTOR UNSEALED ASSEMBLY	
0 PLC	±	PRODUCT SPEC		SIZE CAGE CODE DRAWING NO	
1 PLC	±	APPLICATION SPEC		RESTRICTED TO	
2 PLC	±	408-8599		A 00779 C=1456989	
3 PLC	±	WEIGHT		SCALE 5:1 SHEET 2 OF 2 REV C2	
4 PLC	±	CUSTOMER DRAWING			
ANGLES	±				
MATERIAL	SEE TABLE				

单击下面可查看定价，库存，交付和生命周期等信息

[>>TE Connectivity\(泰科\)](#)