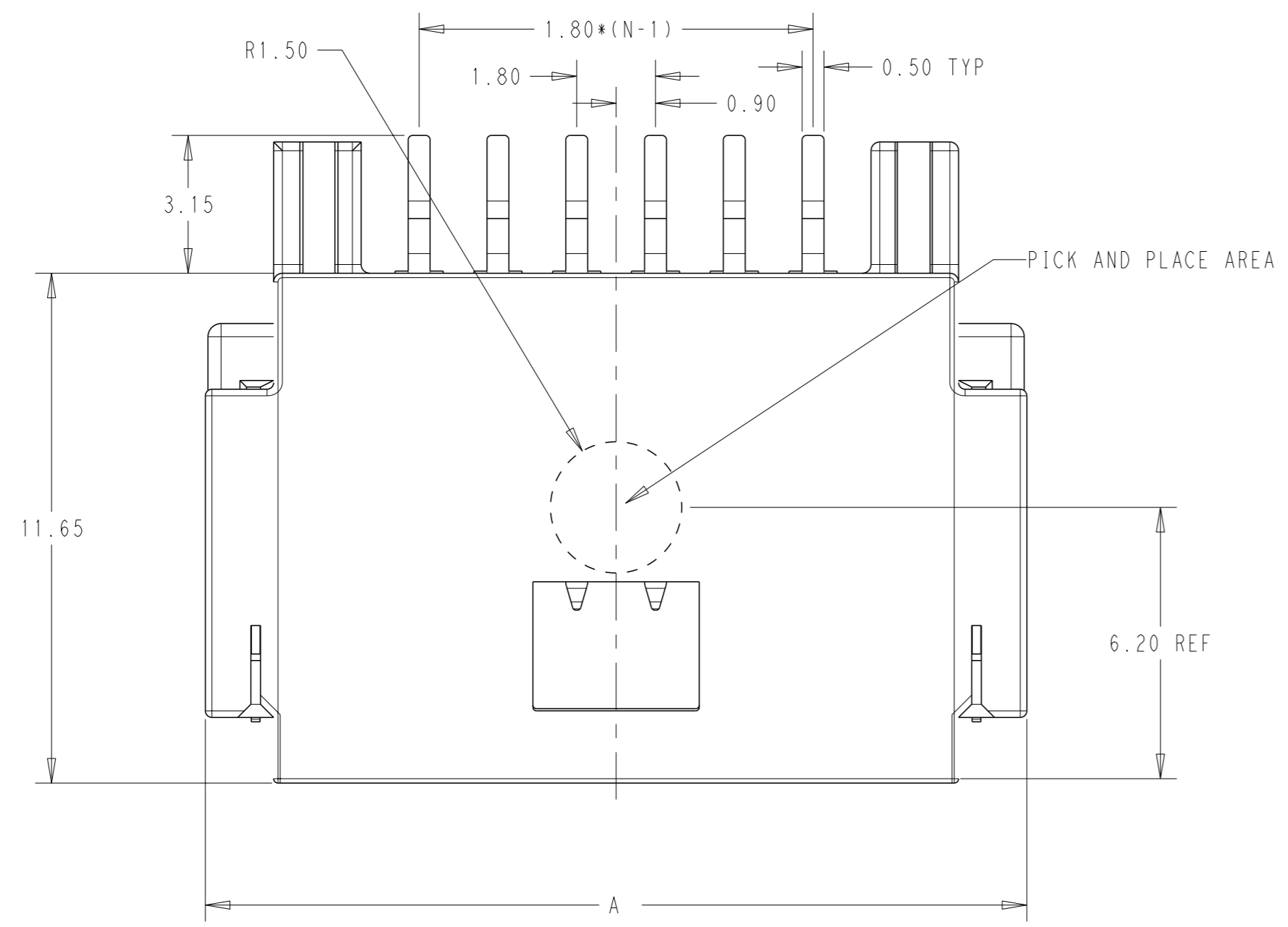
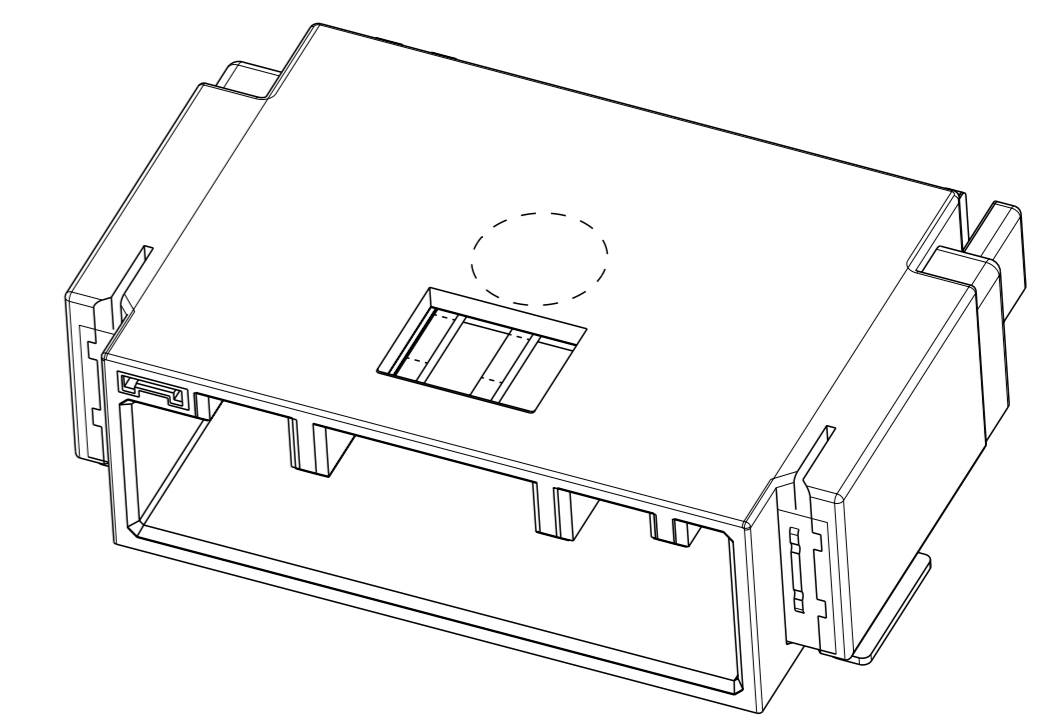


REVISIONS				
P	LY#	DESCRIPTION	DATE	OWN APVD
A3		ECR-24-224082	16OCT2024	F.F G.F



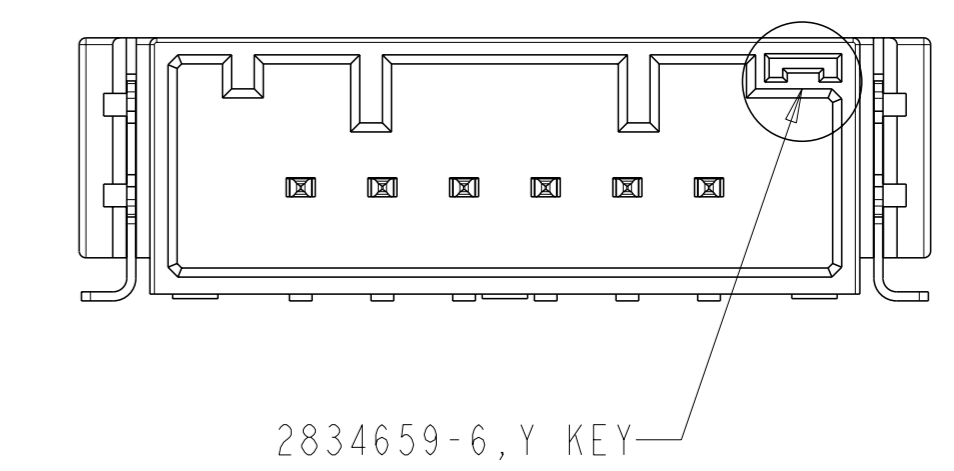
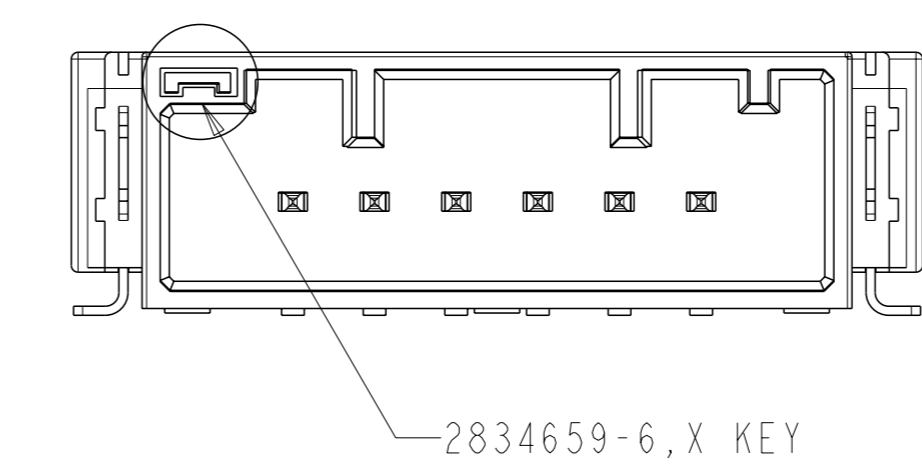
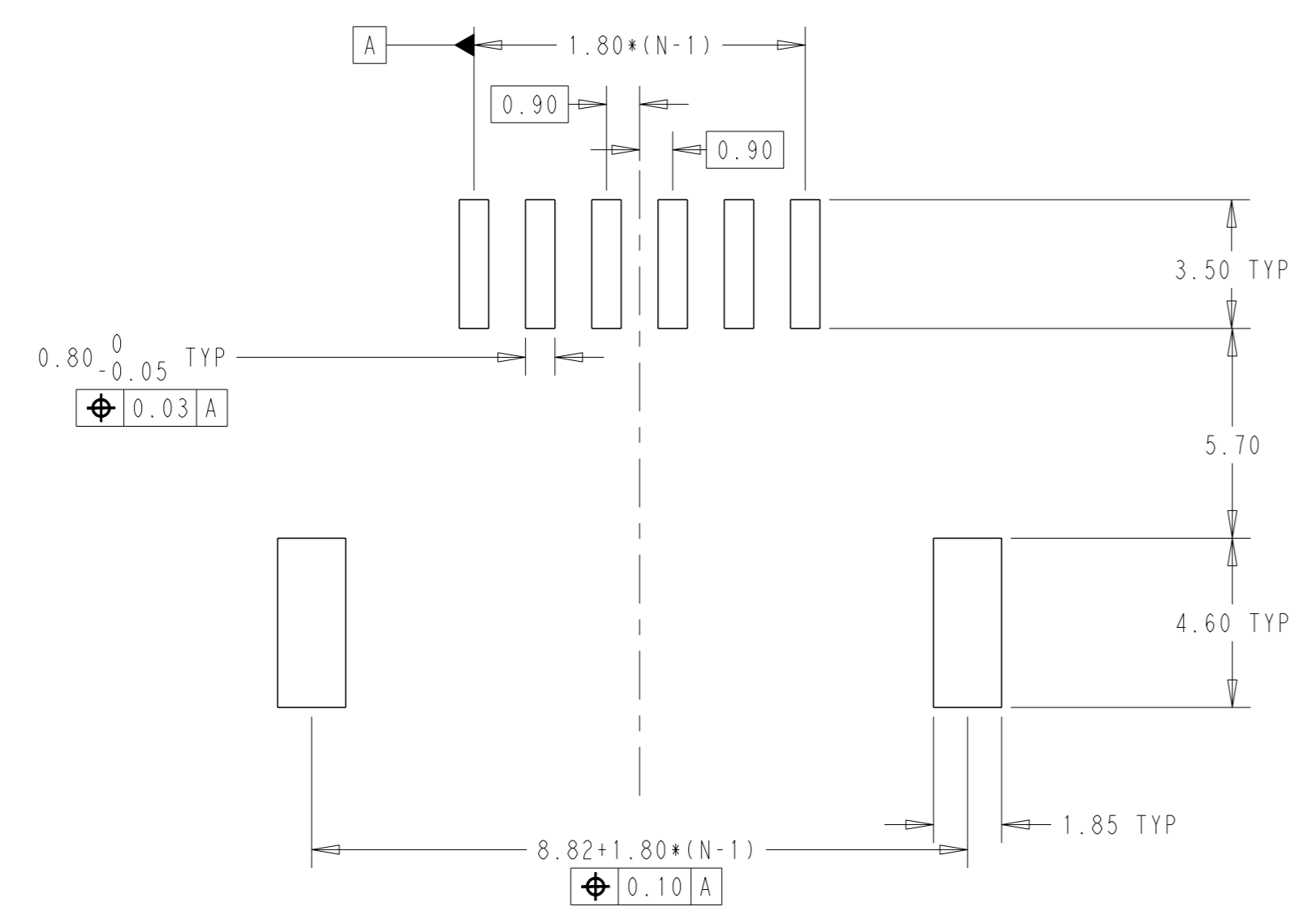
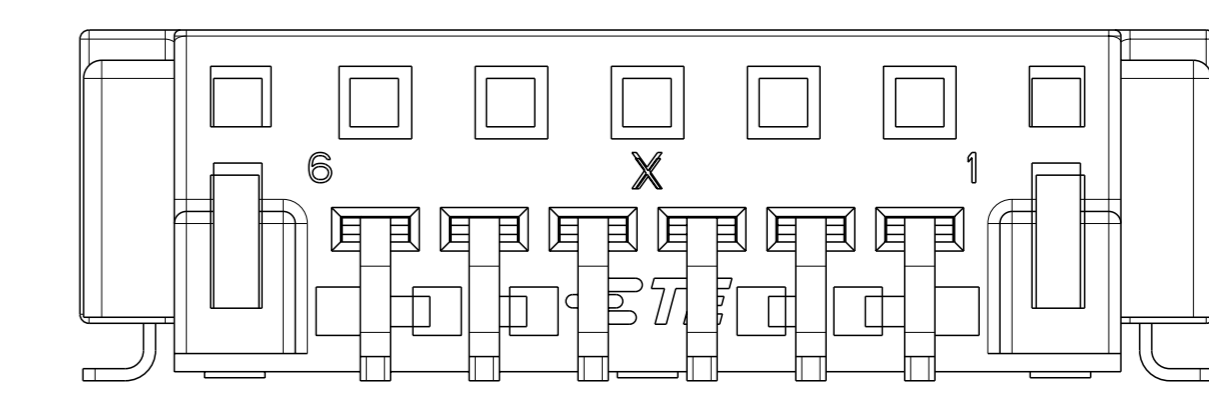
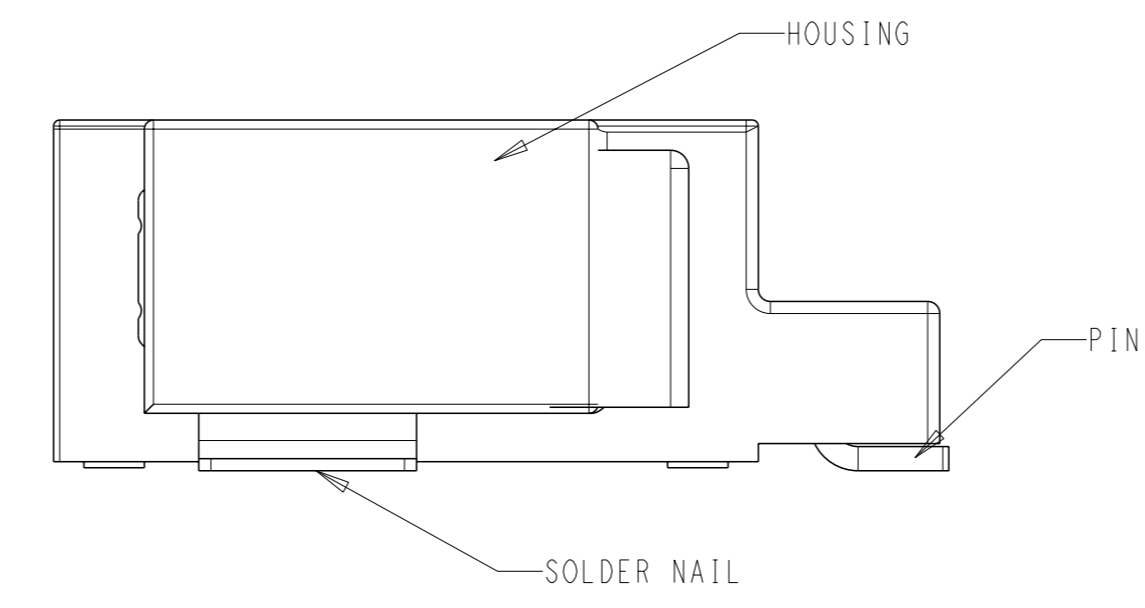
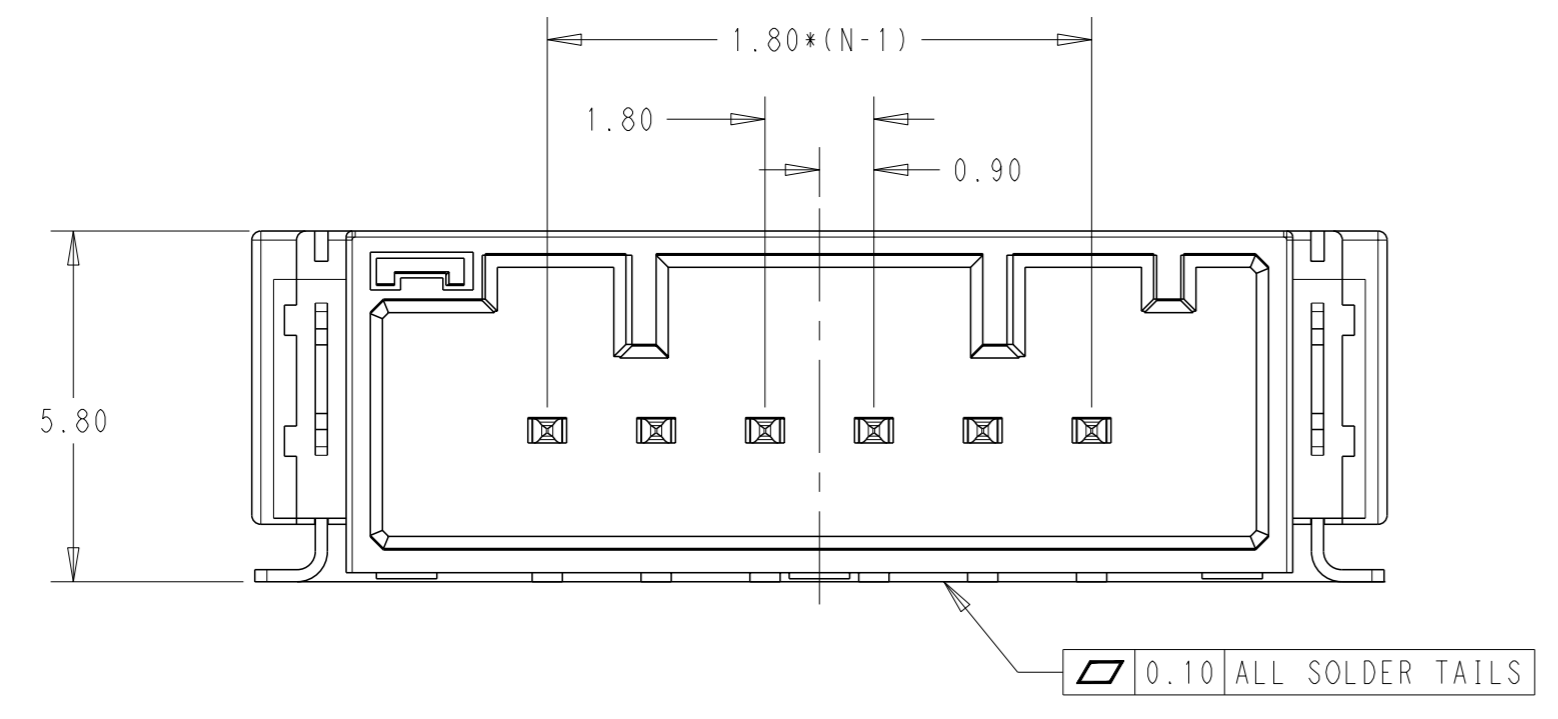
- NOTES :
- MATERIAL:  
HOUSING: HIGH TEMPERATURE THERMO PLASTIC.  
PIN: COPPER ALLOY.  
SOLDER NAIL: SUS.
  - FINISH:  
PIN: TIN PLATING OVER NICKEL PLATING OVERALL.  
SOLDER NAIL: TIN PLATING OVER NICKEL PLATING OVERALL.
  - PACKAGED IN TAPE AND REEL INSIDE OF CARTON.



2834659-6 AS SHOWN

1-2834659-0	1-2834674-0	10	25.45
2834659-6	2834674-6	6	18.25
2834659-2	2834674-2	2	11.05
BLACK COLOR, X KEY	NATURAL COLOR, X KEY	Position	Dimension A

1-2834682-0	1-2834684-0	10	25.45
2834682-6	2834684-6	6	18.25
2834682-2	2834684-2	2	11.05
BLACK COLOR, Y KEY	NATURAL COLOR, Y KEY	Position	Dimension A



RECOMMEND PCB LAYOUT TOLERANCE: ±0.05mm

THIS DRAWING IS A CONTROLLED DOCUMENT.		OWN FRANK FAN 23JAN2024	
DIMENSIONS: mm		CHK GEORGE FU 23JAN2024	
TOLERANCES UNLESS OTHERWISE SPECIFIED:		APVD MING SHI 23JAN2024	NAME DYNAMIC ULTRA 1.80MM PITCH SMT TYPE
0 PLC ±	1 PLC ±0.25	PRODUCT SPEC	SIZE CAGE CODE DRAWING NO
2 PLC ±	3 PLC ±	APPLICATION SPEC	RESTRICTED TO
4 PLC ±	ANGLES ±	114-137708	A 00779 C=C2834659
MATERIAL	FINISH	WEIGHT	SCALE 5:1 SHEET 1 OF 1 REV A3
		CUSTOMER DRAWING	

单击下面可查看定价，库存，交付和生命周期等信息

[>>TE Connectivity\(泰科\)](#)