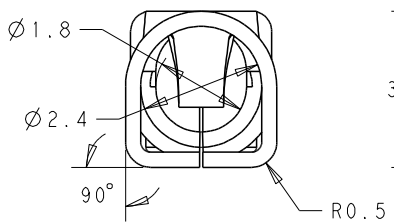
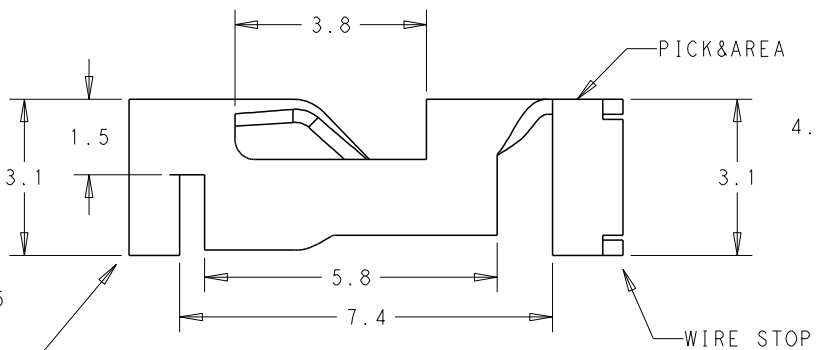
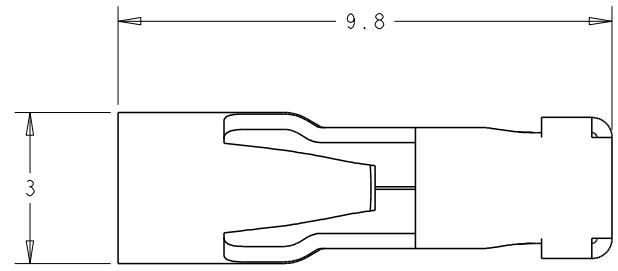
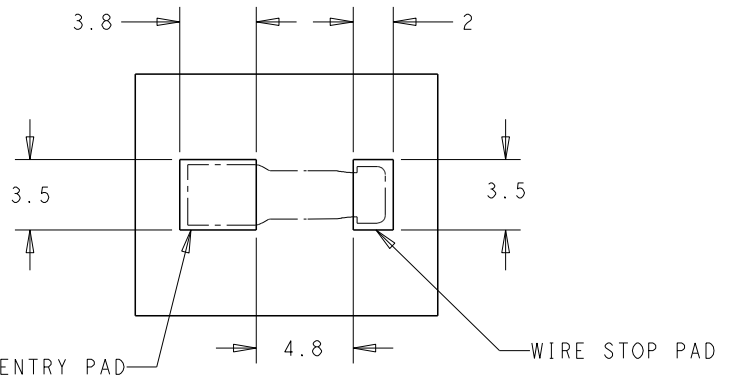


REVISIONS				
P	LTR	DESCRIPTION	DATE	APVD
	A	ECR-15-012173, RELEASE TO PRODUCTION	18AUG2015	GF SM
	A1	ECR-15-012490, UPDATE NOTE DESCRIPTION	24AUG2015	GF SM
	A2	ECR-19-000497 UPDATE PAD DESCRIPTION	10JAN2019	G.F S.M

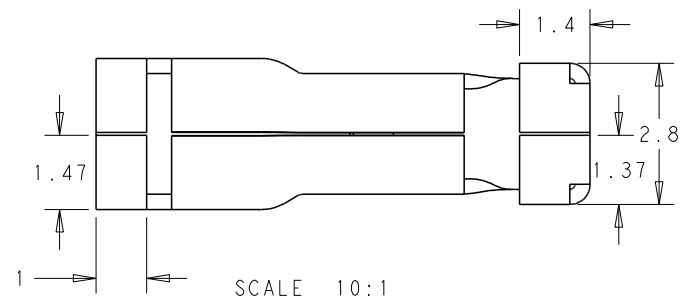
- NOTES :
- △ MATERIALS AND FINISH:  
 - CONTACTS: COPPER ALLOY, FINISH: TIN OVER NICKEL UNDERPLATE
  - MUST COMPLY WITH DIRECTIVE 2002/95/EC (ROHS)
  - WIRE TYPES AND SIZES ACCEPTED  
 WIRE SIZE: 16AWG SOLID  
 18AWG SOLID & STRANDED (CONDUCTOR NO:16)  
 20AWG SOLID & STRANDED (CONDUCTOR NO:7)  
 MAX INSULATION OD: 2.1mm MAX.  
 STRIP LENGTH: 7.0 +/- 0.3mm
  - PACKAGED IN TAPE AND REEL



WIRE ENTRY



RECOMMENDED PCB LAYOUT



SCALE 10:1

P/N: 2834012-3

THIS DRAWING IS A CONTROLLED DOCUMENT.		DWN	GEORGE FU	24AUG2015	TE Connectivity
		CHK	SHI MING	24AUG2015	
		APVD	XU XIANG	24AUG2015	
		NAME	SLIM CONTACT		
DIMENSIONS: mm		PRODUCT SPEC		108-137049	
TOLERANCES UNLESS OTHERWISE SPECIFIED:		APPLICATION SPEC		114-137049	
0 PLC ±- 1 PLC ±0.20 2 PLC ±0.13 3 PLC ±- 4 PLC ±- ANGLES ±-		WEIGHT		-	
MATERIAL		FINISH		RESTRICTED TO	
△ 1		△ 1		SIZE: A3 CAGE CODE: - DRAWING NO: C=2834012	
CUSTOMER DRAWING			SCALE	7:1	SHEET 1 OF 1 REV A2

单击下面可查看定价，库存，交付和生命周期等信息

[>>TE Connectivity\(泰科\)](#)