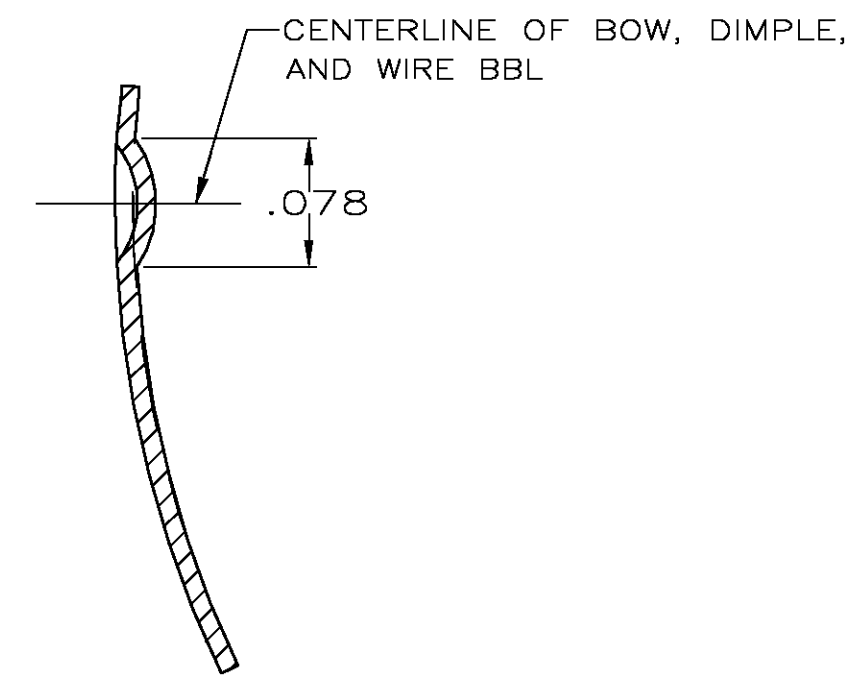
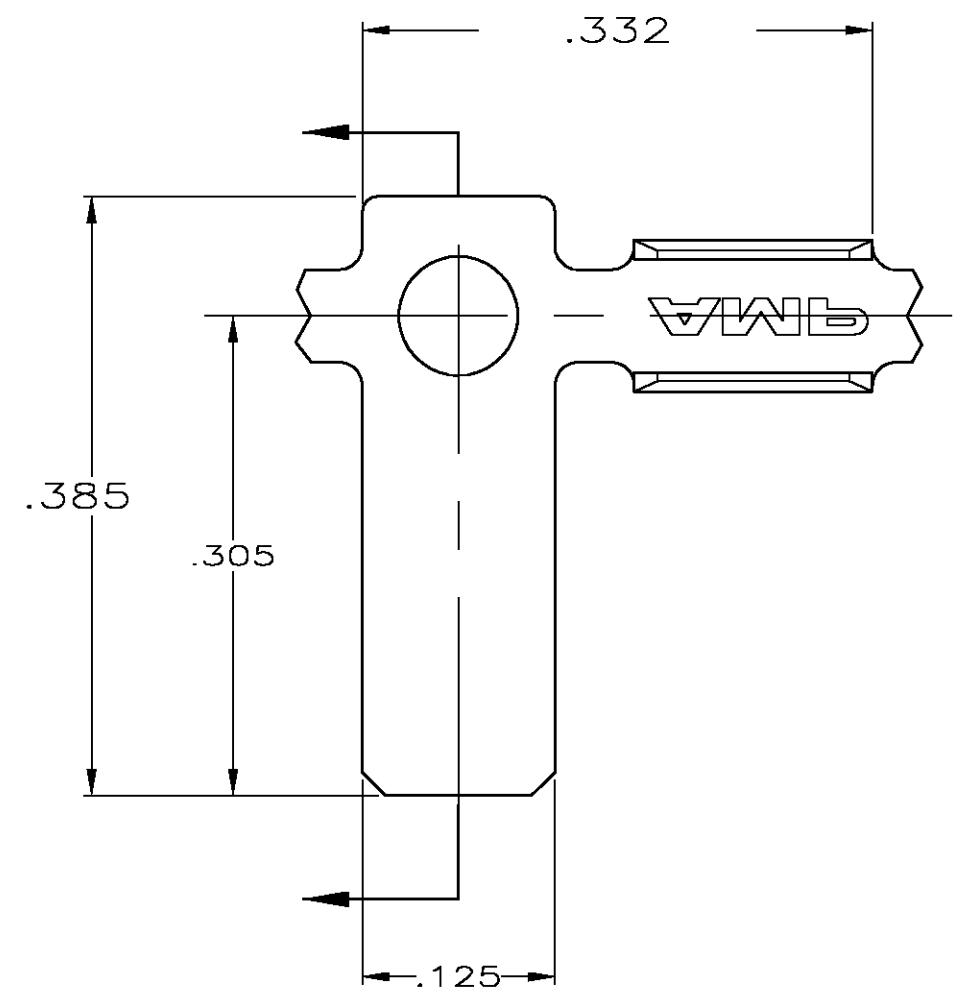
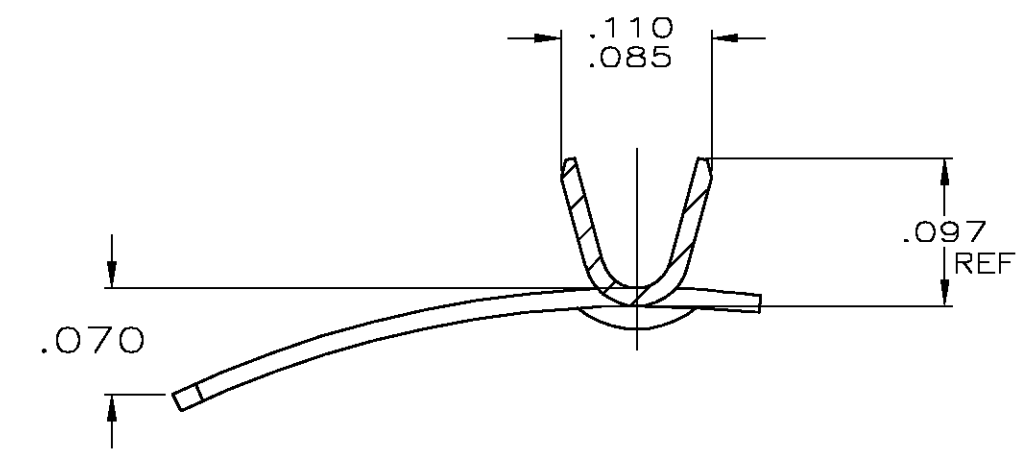
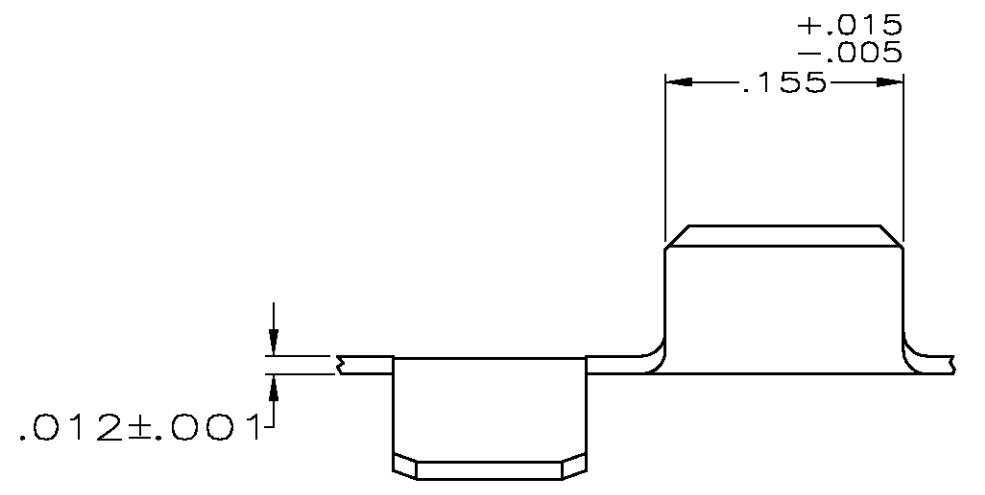


THIS DRAWING IS UNPUBLISHED. RELEASED FOR PUBLICATION  
 © COPYRIGHT - BY TYCO ELECTRONICS CORPORATION. ALL RIGHTS RESERVED.

LOC	DIST	REVISIONS			
P	LTR	DESCRIPTION	DATE	DWN	APVD
AF	50	F	REVISED PER 0G3A-0173-04	16MAR04	MF GP



- 1 CONTINUOUS STRIP ON REELS.
- 2 WIRE SIZE IS #20-#18 AWG



REVERSE REELING	1217698-2
-	1217698-1
REELING	PART NO.

THIS DRAWING IS A CONTROLLED DOCUMENT.		DWN	JR RUTH	15AUG01	 Tyco Electronics Corporation Harrisburg, Pa 17105-3608												
DIMENSIONS: INCHES		CHK	G PORTA	20AUG01													
TOLERANCES UNLESS OTHERWISE SPECIFIED:		APVD	G PORTA	20AUG01													
<table border="1"> <tr><td>0 PLC</td><td>± -</td></tr> <tr><td>1 PLC</td><td>± -</td></tr> <tr><td>2 PLC</td><td>± -</td></tr> <tr><td>3 PLC</td><td>± .010</td></tr> <tr><td>4 PLC</td><td>± -</td></tr> <tr><td>ANGLES</td><td>± -</td></tr> </table>		0 PLC	± -	1 PLC		± -	2 PLC	± -	3 PLC	± .010	4 PLC	± -	ANGLES	± -	PRODUCT SPEC		NAME
0 PLC	± -																
1 PLC	± -																
2 PLC	± -																
3 PLC	± .010																
4 PLC	± -																
ANGLES	± -																
MATERIAL	H04 PHOS BRONZE	FINISH	-	SIZE	A3	CAGE CODE	00779	DRAWING NO	C-1217698	RESTRICTED TO	-						
CUSTOMER DRAWING				WEIGHT	-	SCALE	8:1	SHEET	1 OF 1	REV	F						

单击下面可查看定价，库存，交付和生命周期等信息

[>>TE Connectivity\(泰科\)](#)