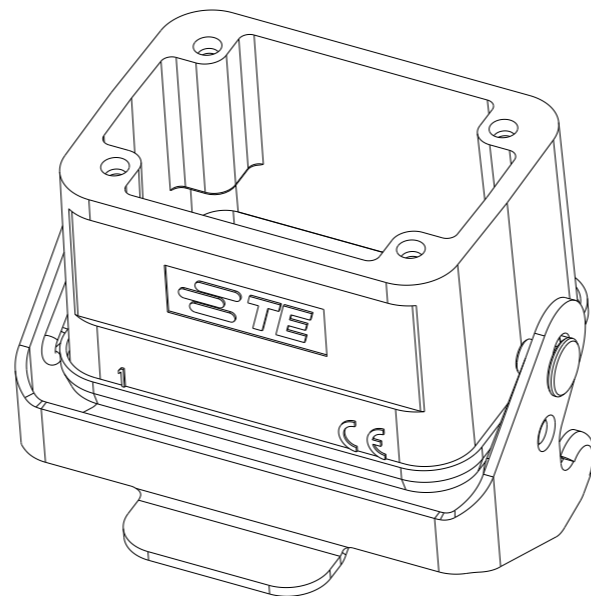
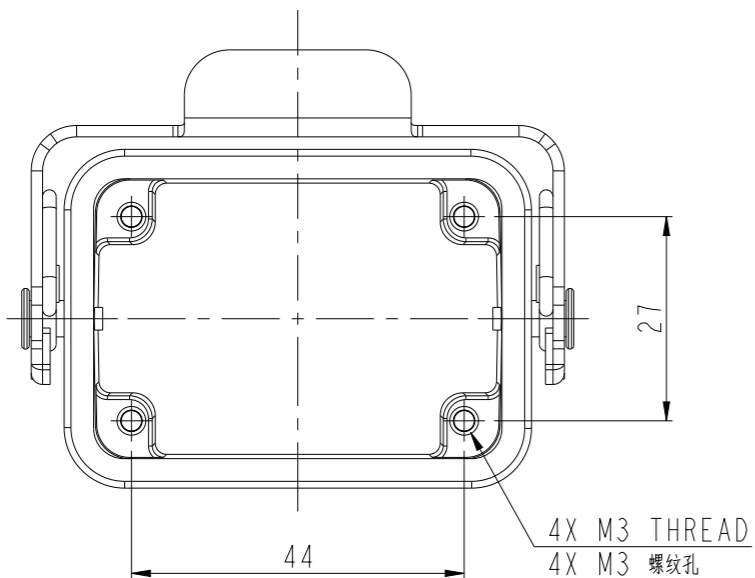


P	LTR	DESCRIPTION	DATE	DWN	APVD
	A	INITIAL	29SEP2016	QY	CW
	B	ECR-20-007968	22JUN2020	WQR	CW
	BI	ECR-20-008190	31DEC2020	WQR	CW

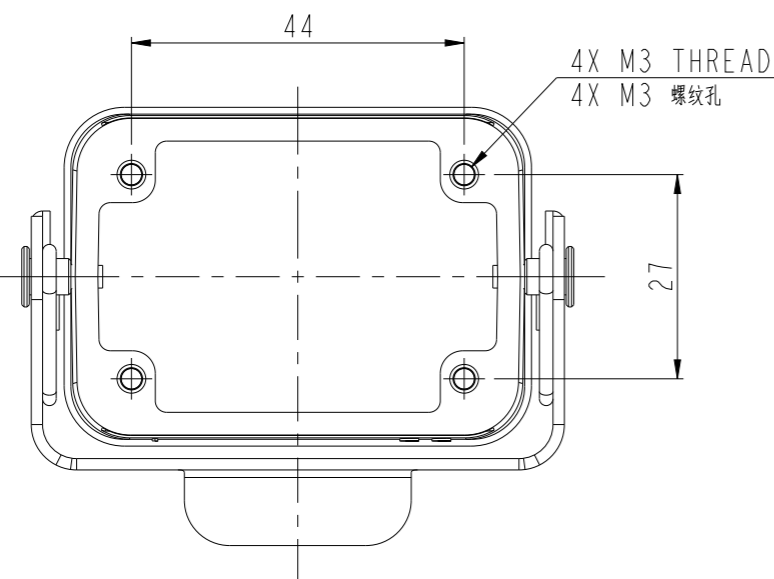
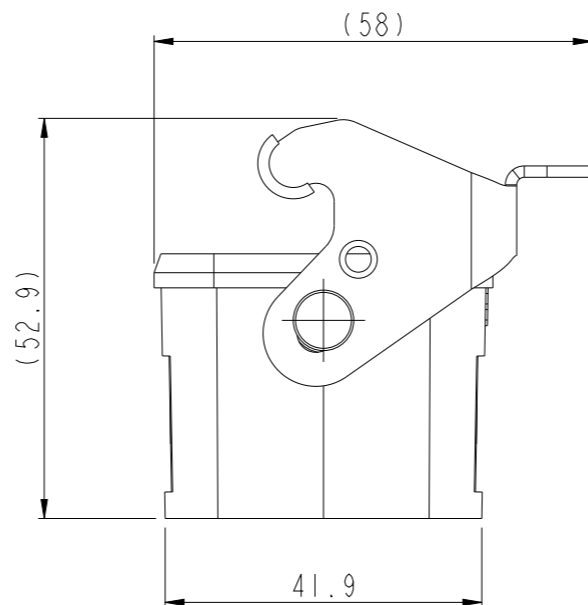
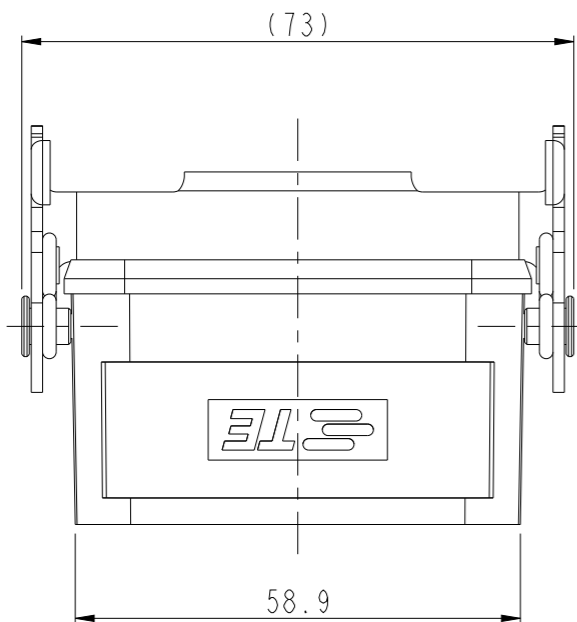


NOTES:

- 1. TECHNICAL CHARACTERISTICS:
HOOD MATERIAL: DIE CAST ALUMINIUM ALLOY
SURFACE: POWDER COATED, GREY
DEGREE OF PROTECTION: IP65 (MATED)


注释:

- 1. 技术参数:
上壳材料: 铝合金
表面处理: 灰色粉末喷涂
防护等级: IP65(配合)



T1730060000-000	H6B-TBF-T	H6B HOUSING, CABLE-TO-CABLE, METAL SINGLE LOCKING, POWDER COATED, GREY H6B对接开孔下壳, 彩锌单扣, 灰色粉末喷涂
-----------------	-----------	---

PART NUMBER 料号	PART DESCRIPTION 描述
-------------------	------------------------

THIS DRAWING IS A CONTROLLED DOCUMENT.		DWN 29SEP2016 QIANG YUAN	 TE Connectivity NAME H6B-TBF-T
		CHK 29SEP2016 KYLE ZENG	
		APVD 29SEP2016 CHRIS WANG	
		PRODUCT SPEC	
DIMENSIONS: mm		APPLICATION SPEC	
TOLERANCES UNLESS OTHERWISE SPECIFIED:		-	
0 PLC ±-		WEIGHT	
1 PLC ±-		A3	
2 PLC ±-		CAGE CODE	
3 PLC ±-		DRAWING NO	
4 PLC ±-		RESTRICTED TO	
ANGLES ±-		G-T1730060000000	
FINISH		SCALE 1:1	
MATERIAL		SHEET 1 OF 1	
-		REV BI	
-		CUSTOMER DRAWING	

单击下面可查看定价，库存，交付和生命周期等信息

[>>TE Connectivity\(泰科\)](#)