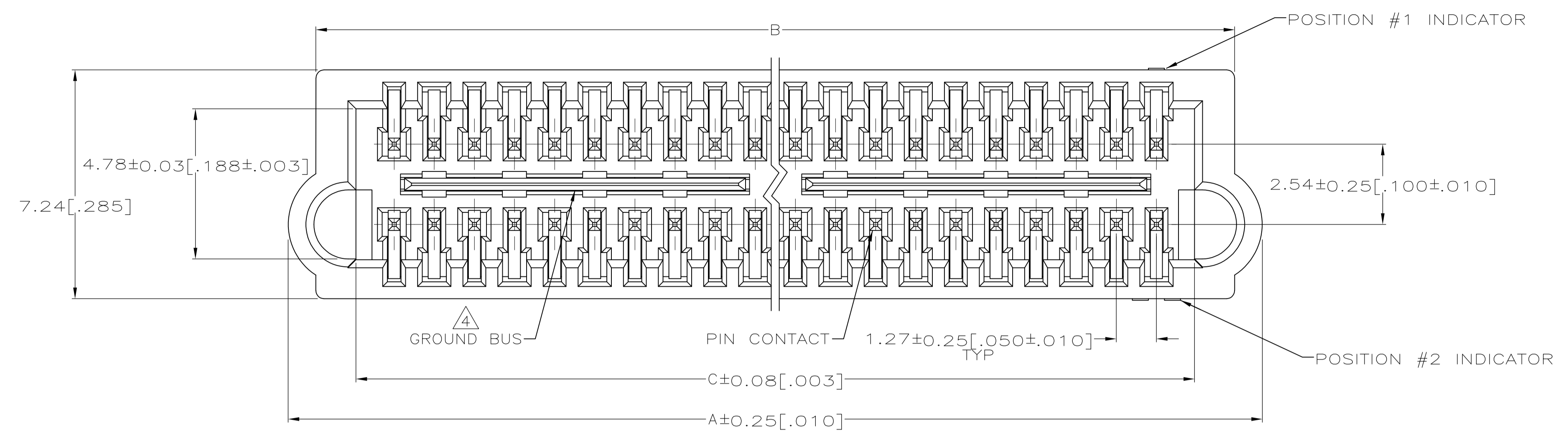
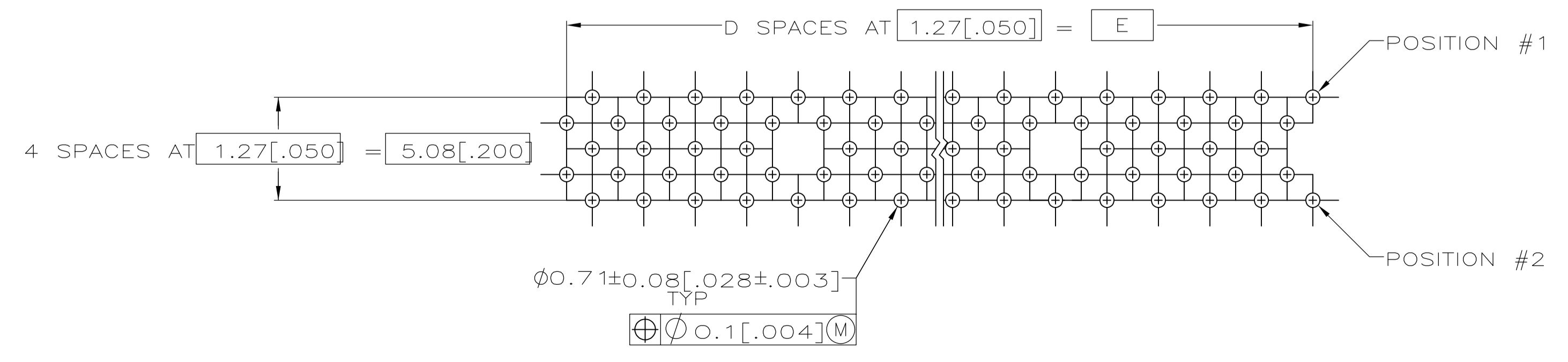
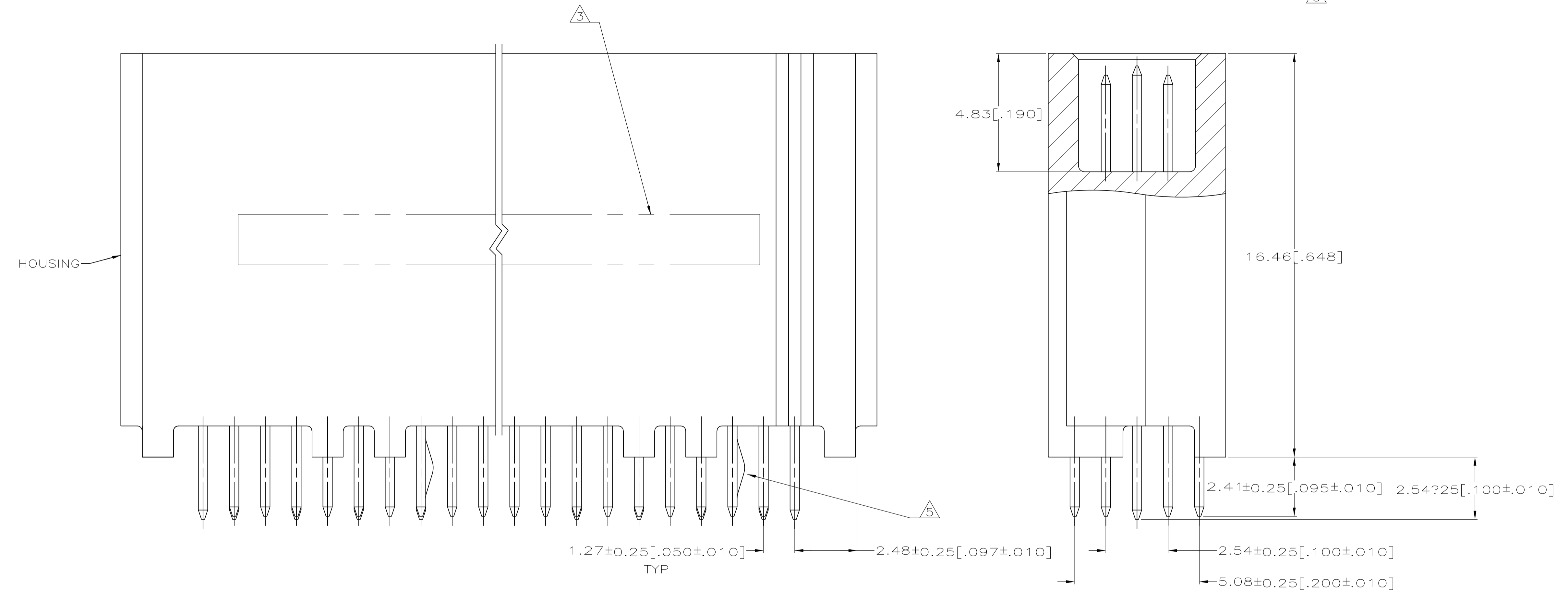


REVISIONS					
P	LTR	DESCRIPTION	DATE	OWN	APVD
B		REVISED PER ECO-16-010704	21JUL2016	SY	SY



- ① HOUSING: HIGH TEMPERATURE THERMOPLASTIC, COLOR NATURAL OR LIGHT NATURAL.
PIN CONTACTS: PHOSPHOR BRONZE.
GROUND BUSSES: PHOSPHOR BRONZE.
- ② PIN CONTACTS: 0.00076[.000030] MIN GOLD IN CONTACT AREA, 0.00254-0.00762[.000100-.000300] TIN-LEAD ON SOLDER TAIL, ALL OVER 0.00127-0.00254[.000050-.000100] NICKEL ON ENTIRE CONTACT.
GROUND BUSSES: 0.00076[.000030] MIN GOLD IN CONTACT AREA, 0.00254-0.00762[.000100-.000300] TIN-LEAD ON SOLDER TAIL, ALL OVER 0.00127-0.00254[.000050-.000100] NICKEL ON ENTIRE BUS.
- ③ AMP, AMP PART NUMBER AND DATE CODE MARKED IN AREA INDICATED, ON SAME SIDE AS POSITION NUMBER 2 INDICATOR.
- ④ ONE GROUND BUS WITH 4 TAILS PER EACH 20 PIN CONTACTS.
- ⑤ FIRST TAIL FROM RIGHT OF EACH GROUND BUS IS KINKED.



RECOMMENDED PC BOARD HOLE LAYOUT (VIEWED FROM CONNECTOR SIDE)

62.23[2.450]	49	64.72[2.548]	67.31[2.650]	68.94[2.714]	100	149020-4
E	D	C	B	A	NO OF POS	PART NUMBER
THIS DRAWING IS A CONTROLLED DOCUMENT.			DIN J.GERACE 11-29-94		149020-4	
DIMENSIONS: mm			CIRK P.MATAR 11-29-94		NAME	
TOLERANCES UNLESS OTHERWISE SPECIFIED:			APVD A.MONK 11-29-94		PRODUCT SPEC	
0 PLC ± -			NAME		PLUG ASSY WITH KINKED GROUND BUS	
1 PLC ± -			PRODUCT SPEC		TAILS, 18.75 STACK, 2.41 TAIL,	
2 PLC ± -			APPLICATION SPEC		BTB, MICROSTRIP	
3 PLC ± 0.1[.005]			SIZE		CAGE CODE DRAWING NO	
4 PLC ± -			WEIGHT		RESTRICTED TO	
ANGLES ± -			A1 00779		SCALE 10:1 SHEET 1 OF 1 REV B	
MATERIAL			CUSTOMER DRAWING		SCALE 10:1 SHEET 1 OF 1 REV B	
FINISH			A1 00779		SCALE 10:1 SHEET 1 OF 1 REV B	

单击下面可查看定价，库存，交付和生命周期等信息

[>>TE Connectivity\(泰科\)](#)