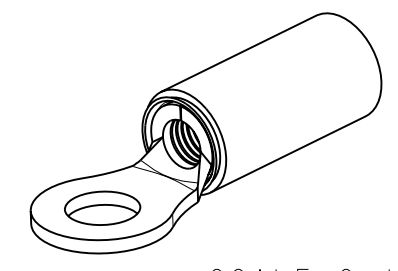
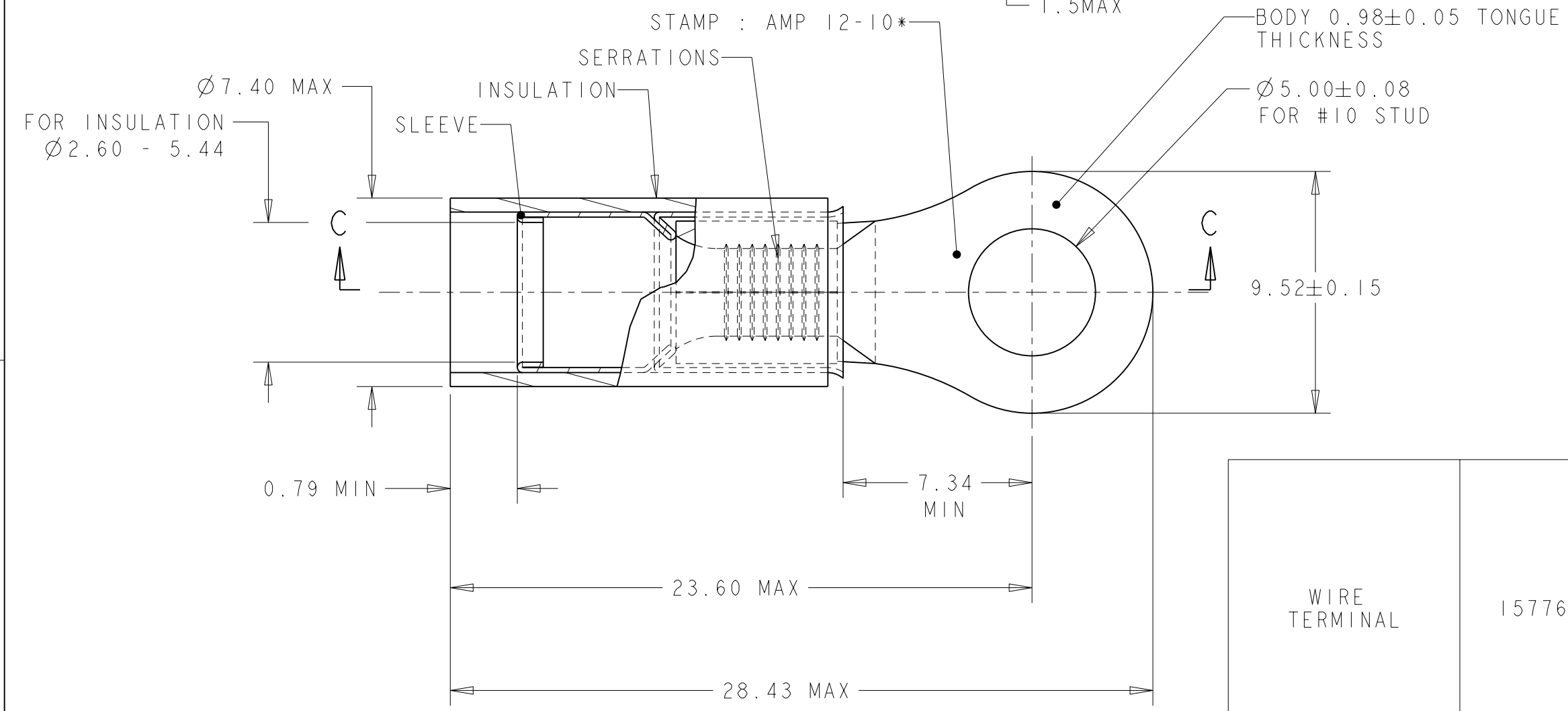
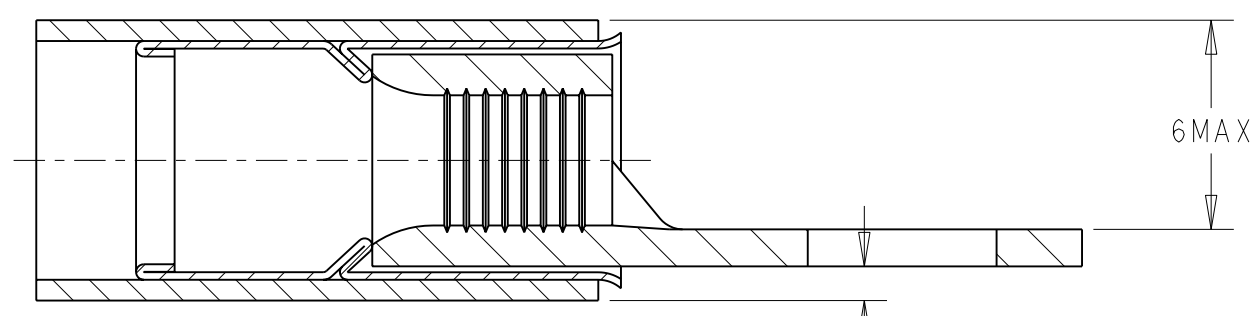


THIS DRAWING IS UNPUBLISHED. RELEASED FOR PUBLICATION 20
 © COPYRIGHT 20 BY TYCO ELECTRONICS CORPORATION. ALL RIGHTS RESERVED.

LOC	DIST	REVISIONS			
P	LTR	DESCRIPTION	DATE	DWN	APVD
F	00	B	ECR 07-025006	29OCT2007	JT GR

COUPE C-C



WIRE TERMINAL	1577647-1	BODY : COPPER ANNEALED FINISH : NICKEL PLATED
		SLEEVE : COPPER ANNEALED FINISH : NICKEL PLATED
		INSULATION : PEEK COLOR : BLACK
DESCRIPTION	PART NUMBER	MATERIAL & FINISH

<small>THIS DRAWING IS A CONTROLLED DOCUMENT FOR TYCO ELECTRONICS CORPORATION IT IS SUBJECT TO CHANGE AND THE CONTROLLING ENGINEERING ORGANIZATION SHOULD BE CONTACTED FOR THE LATEST REVISION.</small>		DWN	27FEB2006	 Tyco Electronics France SAS 95300 Pontoise, France
DIMENSIONS: mm		CHK	27FEB2006	
TOLERANCES UNLESS OTHERWISE SPECIFIED:		APVD	27FEB2006	
0 PLC ±- 1 PLC ±0.3 2 PLC ±- 3 PLC ±- 4 PLC ±- ANGLES ±5 FINISH SEE TABLE		Y-PETRONIN	NAME	
MATERIAL	SEE TABLE	PRODUCT SPEC	108-15356	TERMINAL, PEEK PIDG STRATO, 10 AWG
		APPLICATION SPEC	114-15102	SIZE
		WEIGHT	2,37 gr	CAGE CODE
		CUSTOMER DRAWING	A300779	DRAWING NO
		SCALE	5:1	RESTRICTED TO
		SHEET	1	OF
		REV	B	

单击下面可查看定价，库存，交付和生命周期等信息

[>>TE Connectivity\(泰科\)](#)