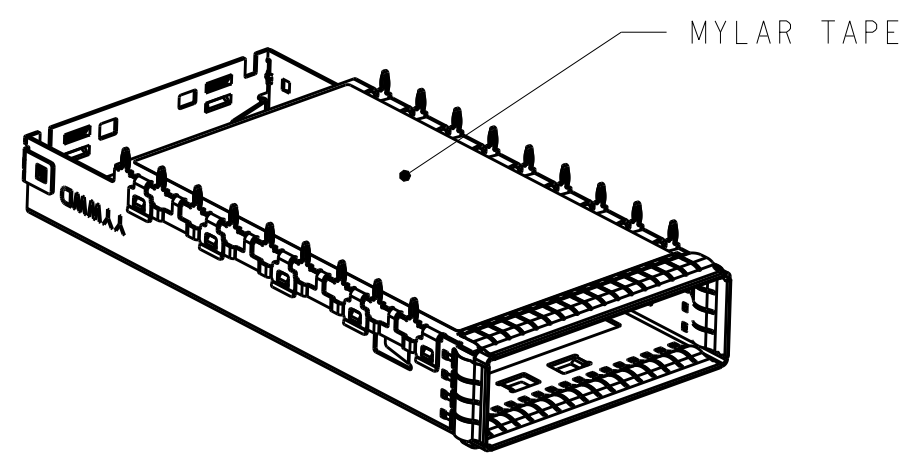
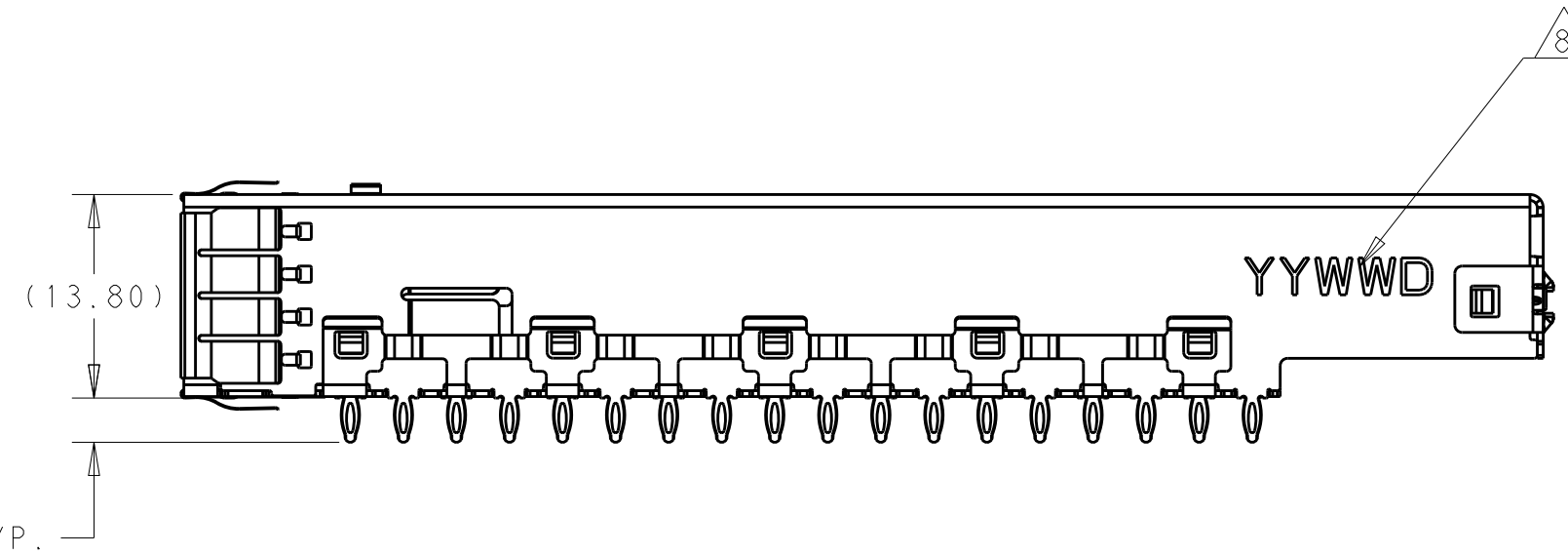
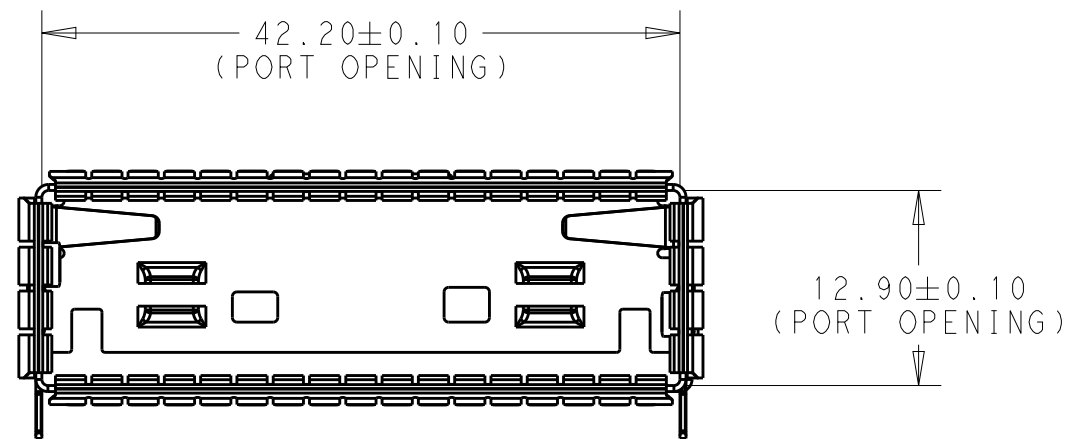
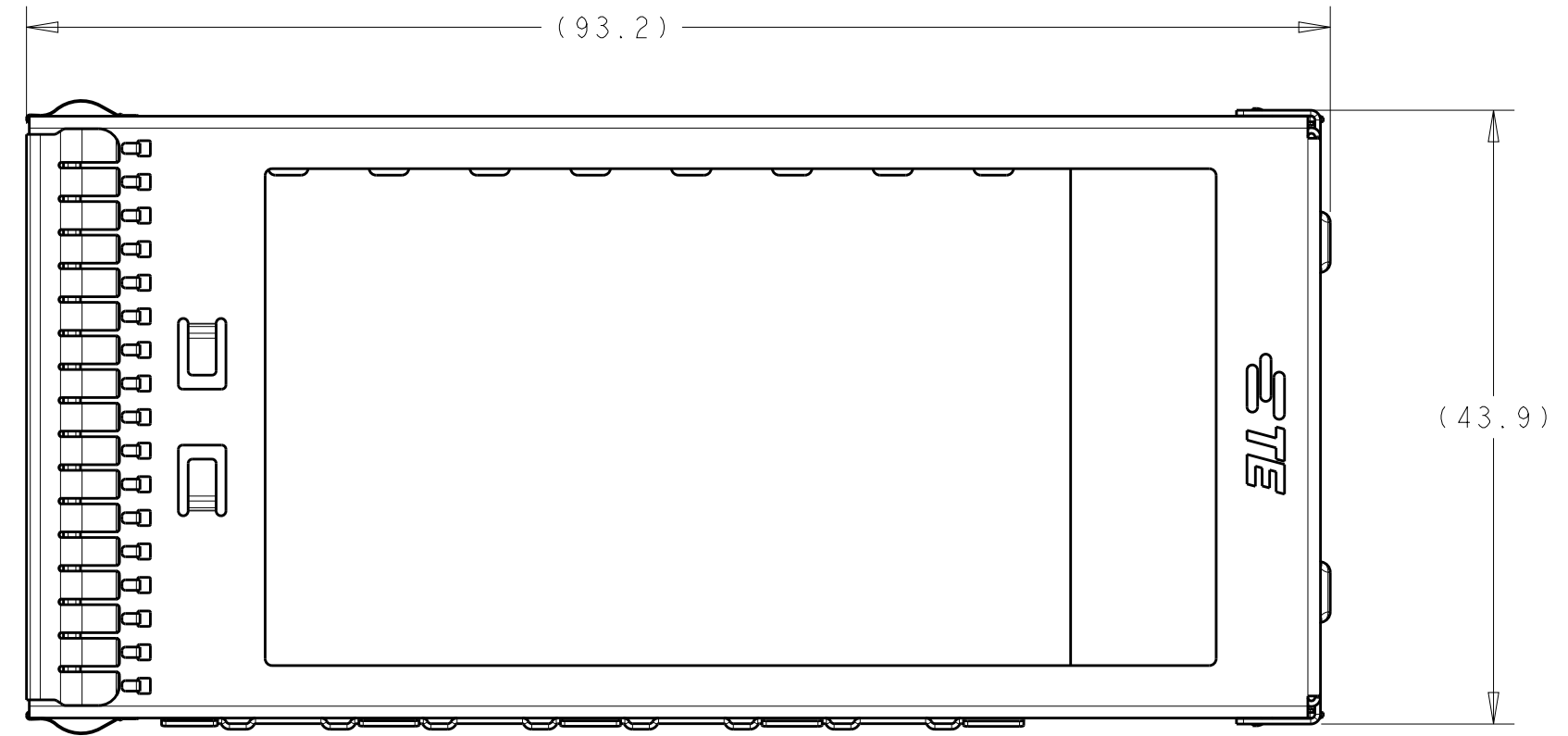


THIS DRAWING IS UNPUBLISHED. RELEASED FOR PUBLICATION 20
 © COPYRIGHT 20 BY - ALL RIGHTS RESERVED.

REVISIONS				
P	LTR	DESCRIPTION	DATE	APVD
1		PRELIMINARY DRAWING	30MAY2016	AD SH
2		ADD DASH NUMBER	18AUG2016	AD SH
3		ADD PART WIHT MYLAR	14SEP2016	AD SH

- 1 MATERIAL .CAGE -0.4MM THICK NICKEL SIVLER AOOLY.
EMI SPRING: COPPER ALLOY;
- 2 .FINISH: EMI SPRING :1.27um NICKEL PALTING OVER ALL;
- 3.MATES WITH CFP MSA COMPLIANT TRANSCEIVERS.
- 4 .DATUM AND BASIC DIMENSION ESTABLISHED BY CUSTOMER.
- 5.MINIMUM PC BOARD THICKNESS: SIGLE SIDE APPLICATIONS=2.99±0.10mm.
BELLY TO BELLY APPLICATION: 3.0mm MIN.
- 6 .PADS AND VIAS CHASSIS GROUND;
- 7 :REFERENCE APPLICATION SOEC 114-32146,HOLE A, FOR
RECOMMENDED DRILL HOLE DIAMETER AND PLATING THICKNESS.
- 8 : DATE CODE MARKED IN APPROXIMATE AREA.



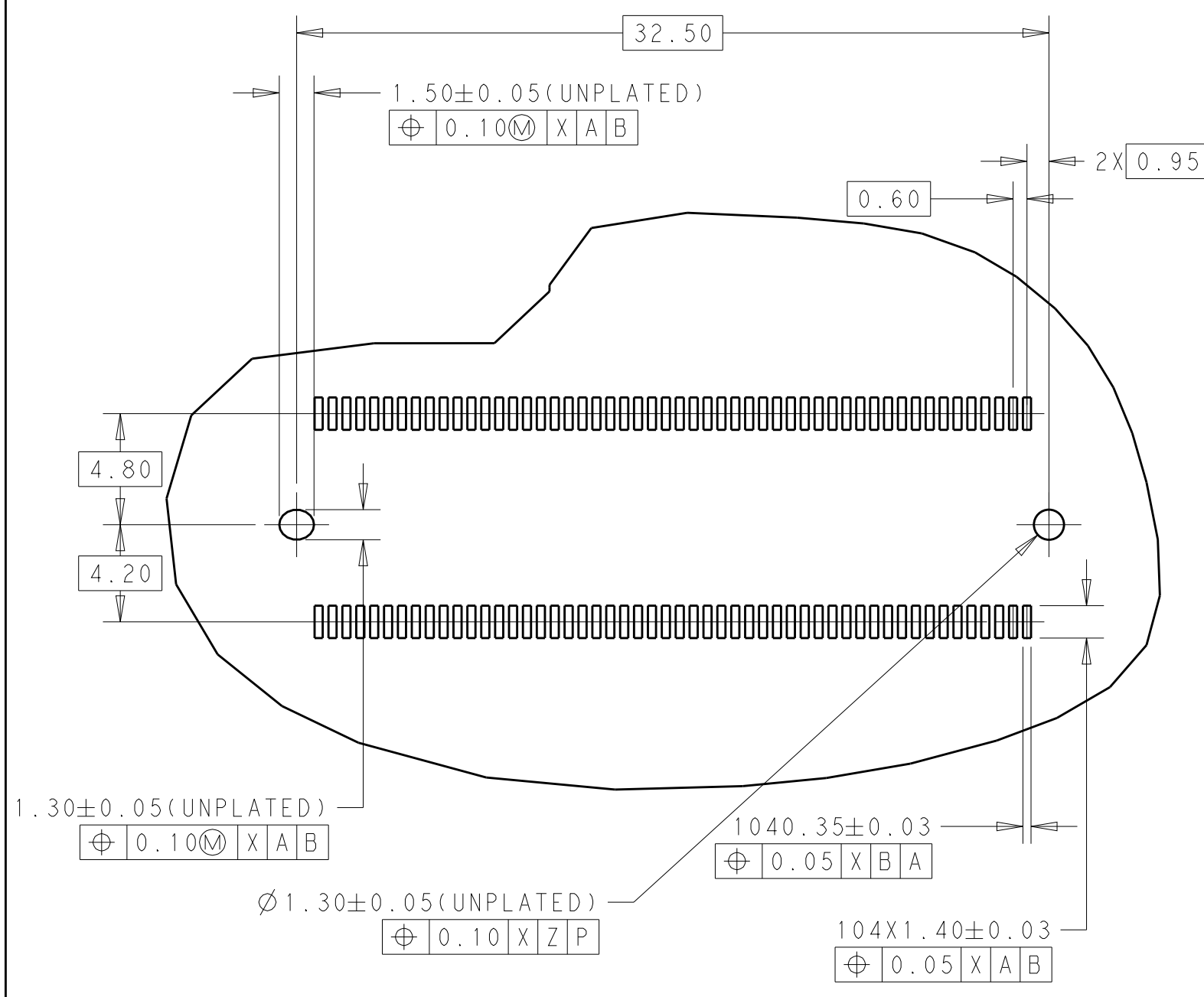
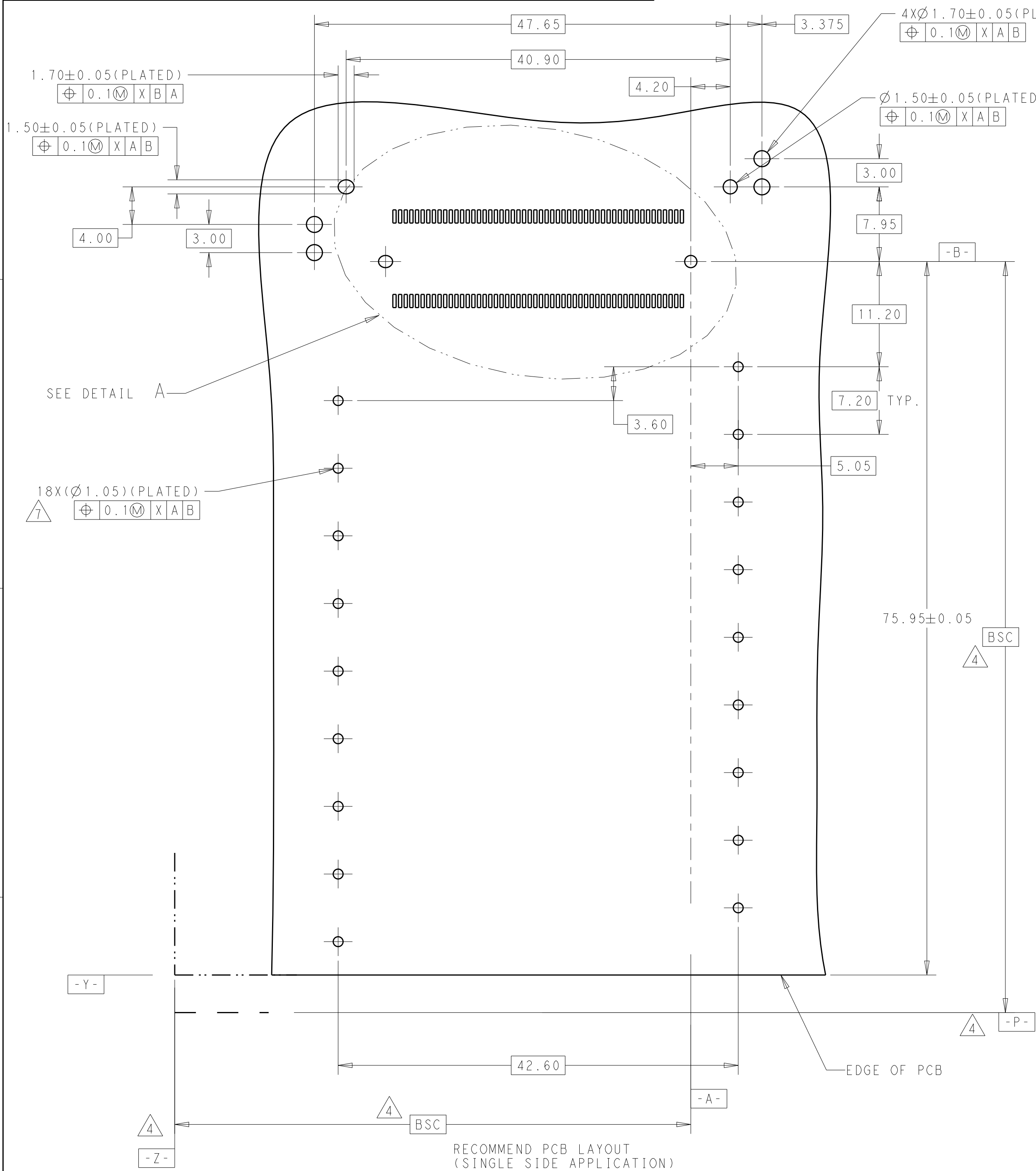
THIS PRINT IS
PRELIMINARY
 UNQUALIFIED PRODUCT
 CONTACT PRODUCT ENGINEERING
 BEFORE USING THIS PRINT

WITH	2274843-4
WITHOUT	2274843-2
MYLAR TAPE	PART NUMBER

THIS DRAWING IS A CONTROLLED DOCUMENT.		DWN ANDY.XIE 30MAY2016	TE Connectivity	
		CHK SEAN.HAN 30MAY2016		
		APVD SEAN.HAN 30MAY2016	NAME CAGE ASSEMBLY,CFP2 1X1 PRESS FIT,EMI SPRING	
DIMENSIONS:		PRODUCT SPEC 108-32103	SIZE A2	
TOLERANCES UNLESS OTHERWISE SPECIFIED:		APPLICATION SPEC 114-32146	CAGE CODE -	
mm		WEIGHT -	DRAWING NO C-2274843	
0 PLC ±		CUSTOMER DRAWING	RESTRICTED TO -	
1 PLC ±0.25		SCALE 1:1	SHEET 1 OF 4	
2 PLC ±0.15			REV 3	
3 PLC ±0.10				
4 PLC ±0.0001				
ANGLES ±				
FINISH				

THIS DRAWING IS UNPUBLISHED. RELEASED FOR PUBLICATION 20
 © COPYRIGHT 20 BY - ALL RIGHTS RESERVED.

REVISIONS					
P	LTR	DESCRIPTION	DATE	DWN	APVD
-	-	SEE SHEET 1	-	-	-



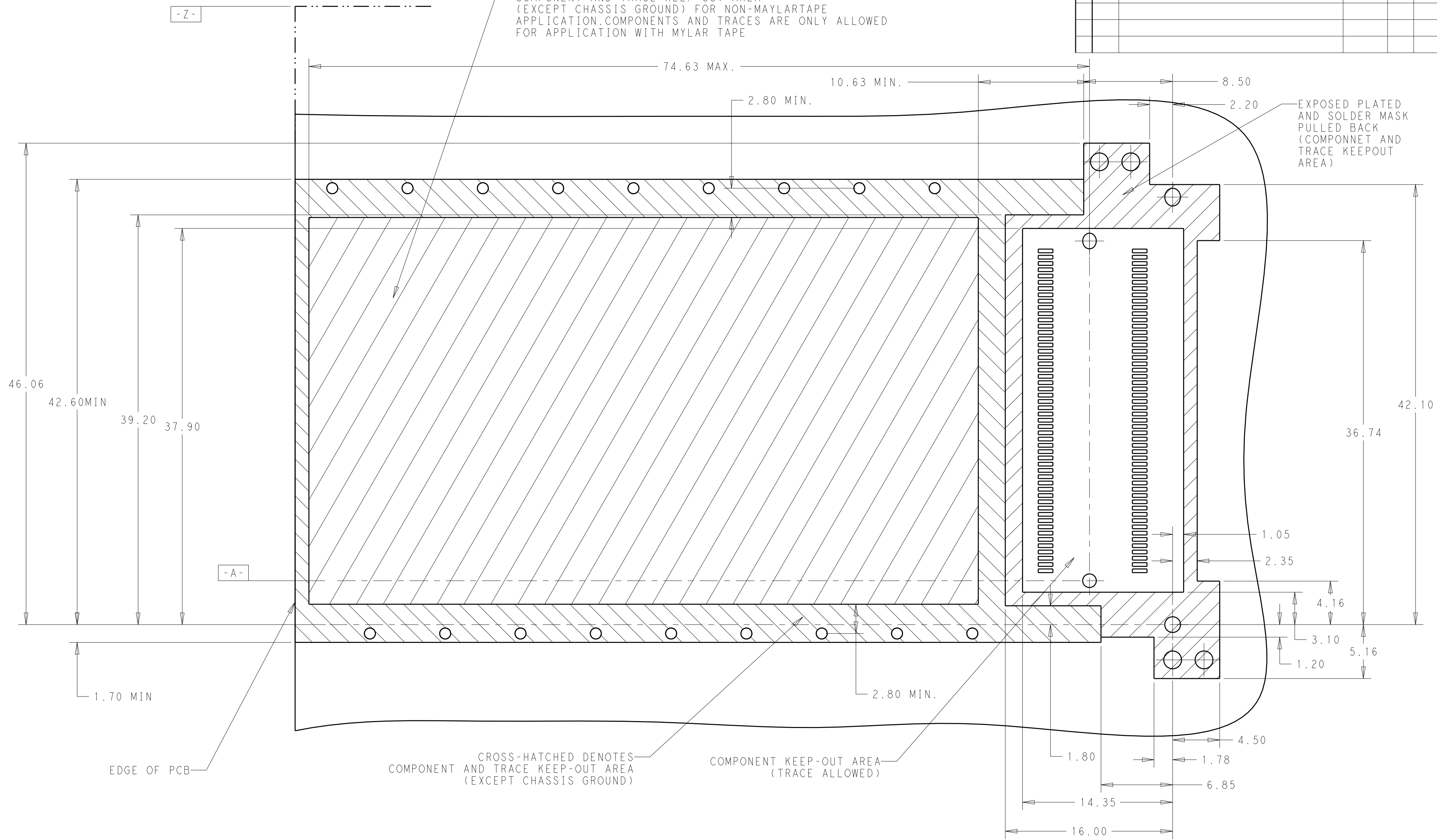
THIS PRINT IS
PRELIMINARY
 UNQUALIFIED PRODUCT
 CONTACT PRODUCT ENGINEERING
 BEFORE USING THIS PRINT

THIS DRAWING IS A CONTROLLED DOCUMENT.		DWN ANDY.XIE 30MAY2016	TE Connectivity
DIMENSIONS: mm		CHK SEAN.HAN 30MAY2016	
TOLERANCES UNLESS OTHERWISE SPECIFIED:		APVD SEAN.HAN 30MAY2016	
0 PLC ± 1 PLC ±0.25 2 PLC ±0.14 3 PLC ±0.10 4 PLC ± ANGLES ±1 FINISH		NAME CAGE ASSEMBLY, CFP2 1X1 PRESS FIT, EMI SRPING	
MATERIAL SEE NOTES	SEE NOTES	PRODUCT SPEC -	SIZE A2
Customer Drawing		APPLICATION SPEC -	CAGE CODE -
SCALE 3:1		WEIGHT -	DRAWING NO. C-2274843
SHEET 2 OF 4		RESTRICTED TO -	REV 3

THIS DRAWING IS UNPUBLISHED. RELEASED FOR PUBLICATION 20
 © COPYRIGHT 20 BY - ALL RIGHTS RESERVED.

REVISIONS					
P	LTR	DESCRIPTION	DATE	DWN	APVD
-		SEE SHEET 1	-	-	-

CROSS-HATCHED DENOTES COMPONENT AND TRACE KEEP-OUT AREA (EXCEPT CHASSIS GROUND) FOR NON-MAYLARTAPE APPLICATION. COMPONENTS AND TRACES ARE ONLY ALLOWED FOR APPLICATION WITH MYLAR TAPE



EDGE OF PCB

CROSS-HATCHED DENOTES COMPONENT AND TRACE KEEP-OUT AREA (EXCEPT CHASSIS GROUND)

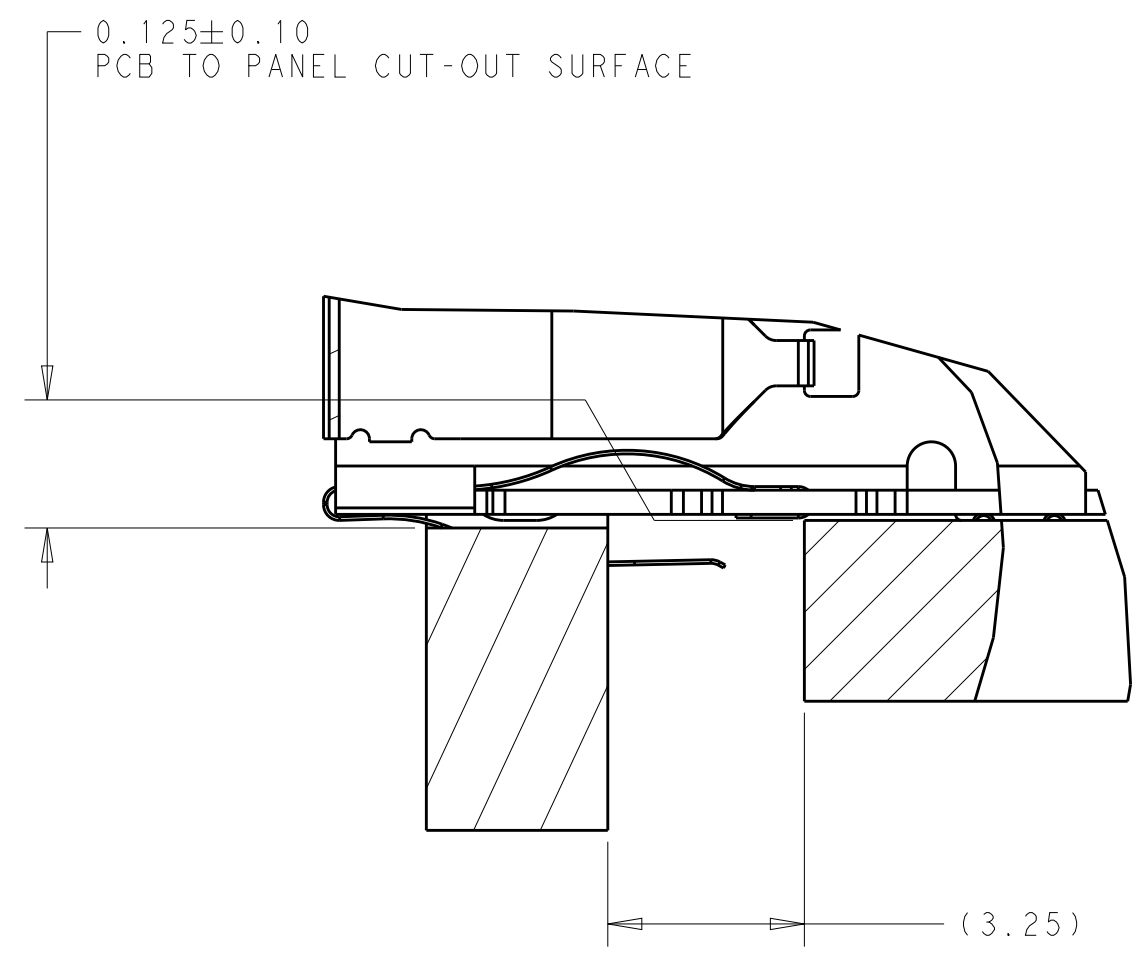
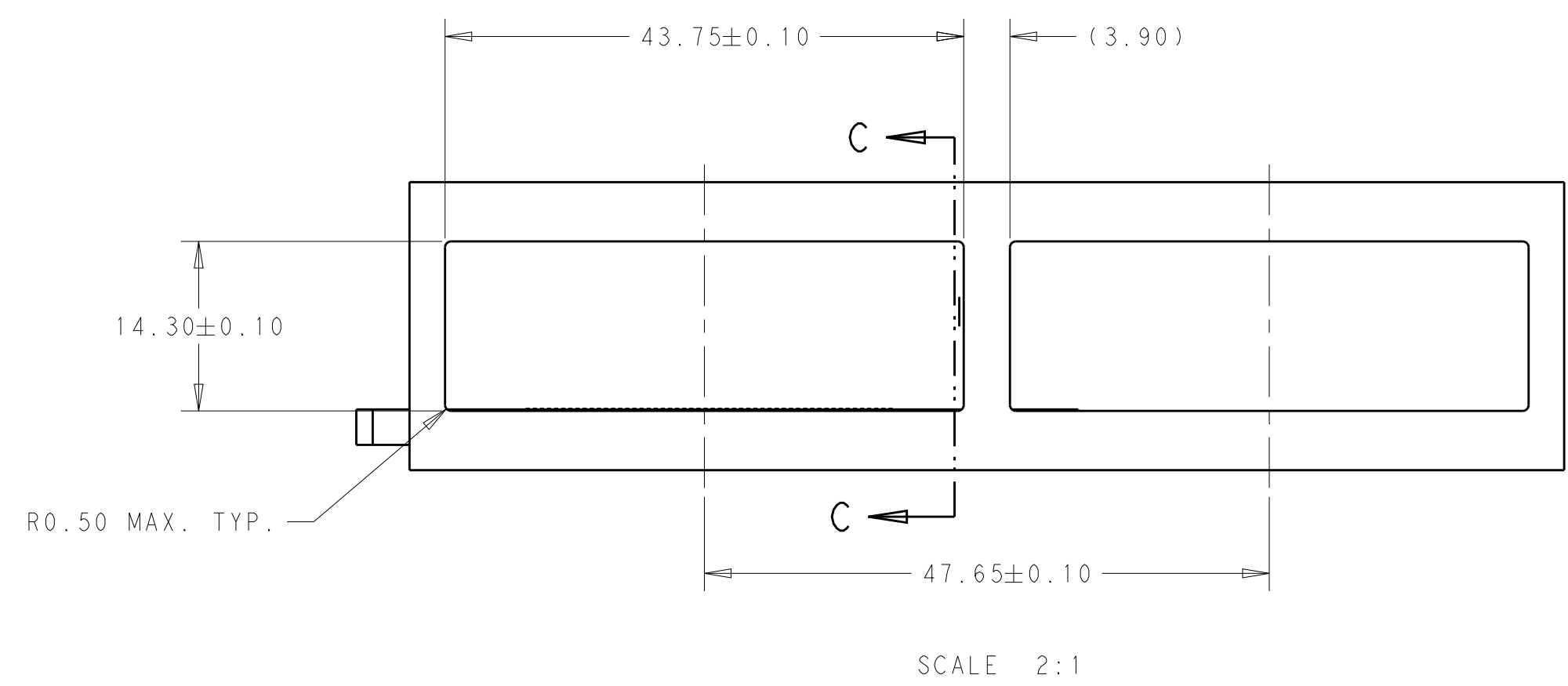
COMPONENT KEEP-OUT AREA (TRACE ALLOWED)

THIS PRINT IS
PRELIMINARY
 UNQUALIFIED PRODUCT
 CONTACT PRODUCT ENGINEERING
 BEFORE USING THIS PRINT

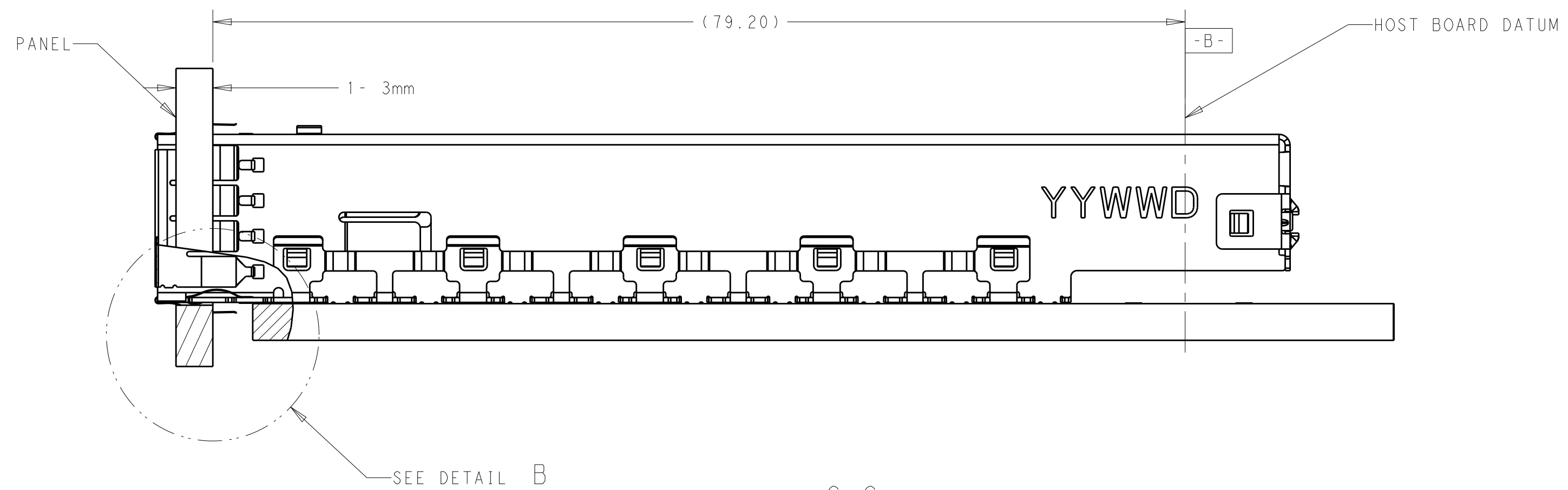
THIS DRAWING IS A CONTROLLED DOCUMENT.		DWN ANDY.XIF 30MAY2016	TE Connectivity
DIMENSIONS: mm		CHK SEAN.HAN 30MAY2016	
TOLERANCES UNLESS OTHERWISE SPECIFIED:		APVD SEAN.HAN 30MAY2016	
0 PLC ±0.10 1 PLC ±0.10 2 PLC ±0.10 3 PLC ±0.10 4 PLC ±0.05 ANGLES ±1 FINISH SEE NOTES		NAME CAGE ASSEMBLY, CFP2 1X1 PRESS FIT, EMI SPRING	
MATERIAL SEE NOTES	APPLICATION SPEC -	WEIGHT -	SIZE A2
Customer Drawing		SCALE 1:1	SHEET 3 OF 4 REV 3

THIS DRAWING IS UNPUBLISHED. RELEASED FOR PUBLICATION 20
 © COPYRIGHT 20 BY - ALL RIGHTS RESERVED.

REVISIONS				
P	LTR	DESCRIPTION	DATE	APVD
-	-	SEE SHEET 1	-	-



DETAIL B
 SCALE 8:1



SECTION C-C
 SCALE 3:1

THIS PRINT IS
PRELIMINARY
 UNQUALIFIED PRODUCT
 CONTACT PRODUCT ENGINEERING
 BEFORE USING THIS PRINT

THIS DRAWING IS A CONTROLLED DOCUMENT.		DWN ANDY.XIE 30MAY2016	TE Connectivity	
DIMENSIONS: mm		CHK SEAN.HAN 30MAY2016		
TOLERANCES UNLESS OTHERWISE SPECIFIED:		APVD SEAN.HAN 30MAY2016	NAME CAGE ASSEMBLY ,CFP2 1X1 PRESS FIT,EMI SPRING	
0 PLC ± 1 PLC ±0.25 2 PLC ±0.15 3 PLC ±0.1 4 PLC ± ANGLES ±1 FINISH		PRODUCT SPEC -	SIZE A2	CAGE CODE -
MATERIAL SEE NOTES		APPLICATION SPEC -	DRAWING NO C-2274843	RESTRICTED TO -
FINISH SEE NOTES		WEIGHT -	SCALE 1:1	SHEET 4 OF 4
		Customer Drawing	REV 3	

单击下面可查看定价，库存，交付和生命周期等信息

[>>TE Connectivity\(泰科\)](#)