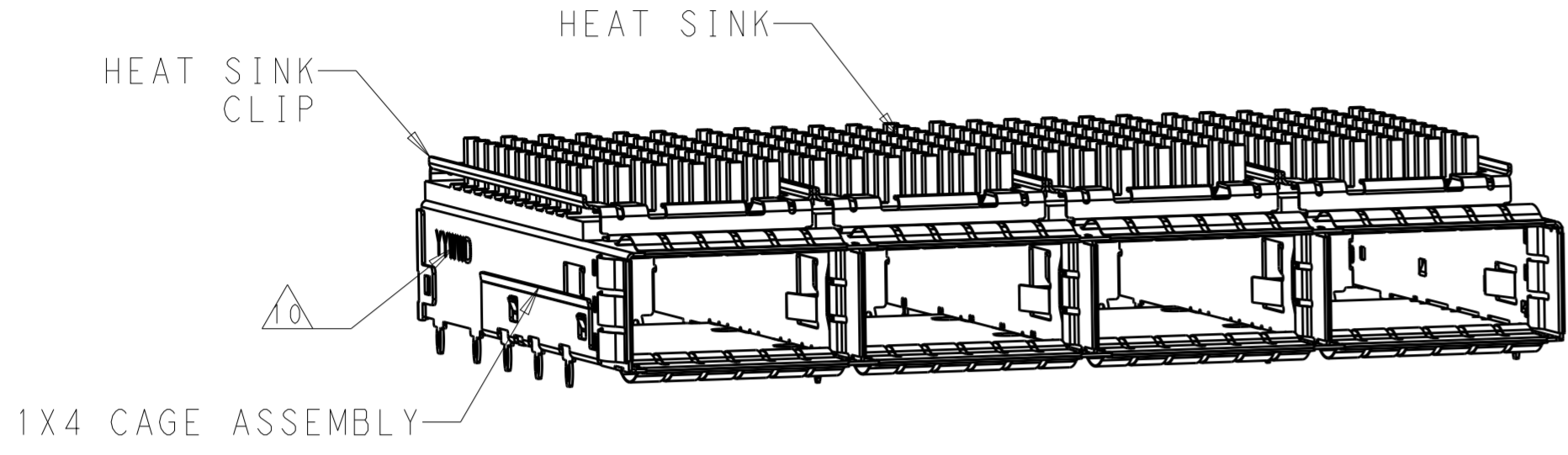


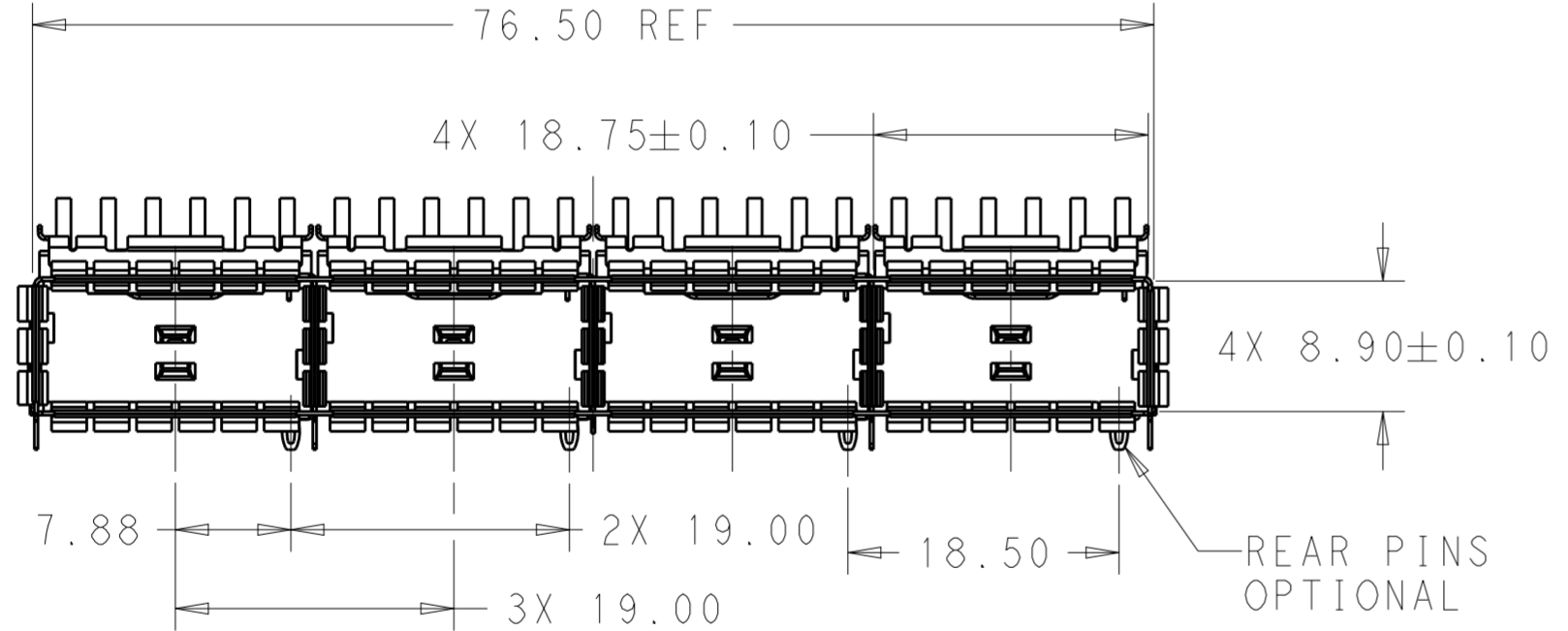
THIS DRAWING IS UNPUBLISHED. RELEASED FOR PUBLICATION 20
 © COPYRIGHT 20 BY - ALL RIGHTS RESERVED.

| REVISIONS | | | | |
|-----------|-----|---------------------------|-----------|-------|
| P | LTR | DESCRIPTION | DATE | APVD |
| A | | INITIAL RELEASE | 02FEB2016 | JY SH |
| B | | REVISED PER ECO-17-007422 | 23MAY2017 | JY SH |
| C | | REVISED PER ECO-17-011898 | 15AUG2017 | JY SH |
| D | | REVISED PER ECO-18-012273 | 06JUL2018 | JY SH |

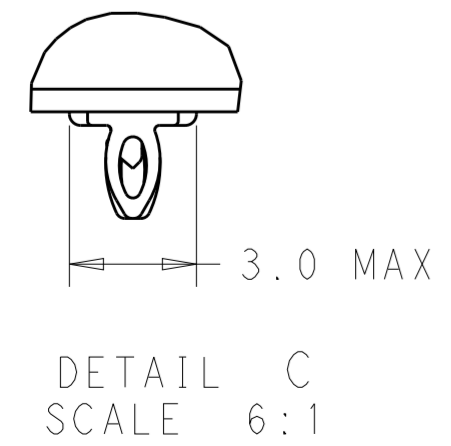
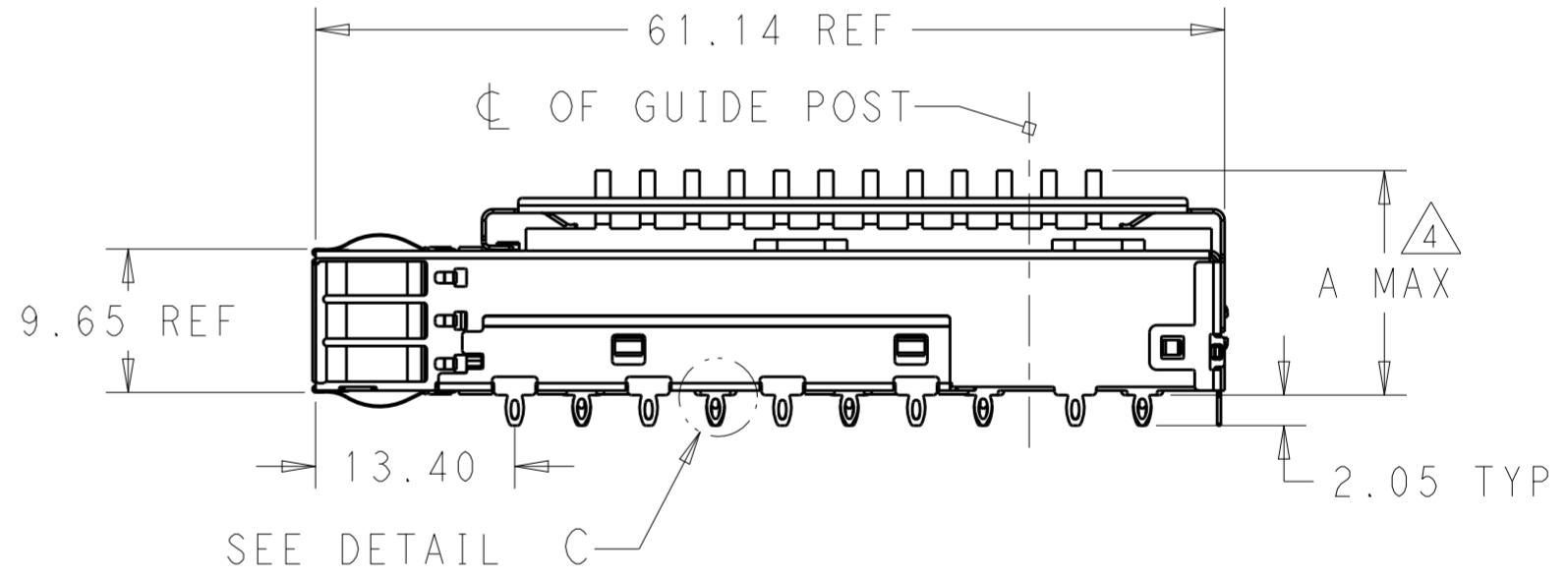


2170745-2 AS SHOWN
SCALE 2:1

- COMPONENTS
 CAGE ASSEMBLY: NICKEL-SILVER ALLOY
 HEAT SINK: ALUMINUM/BLACK ANODIZE
 HEAT SINK CLIP: STAINLESS STEEL
 EMI SPRING: COPPER ALLOY/NICKEL PLATE
- REFERENCE APPLICATION SPECIFICATION 114-32023 FOR RECOMMENDED DRILL HOLE DIAMETER AND PLATING THICKNESS
- DATUM AND BASIC DIMENSION ESTABLISHED BY CUSTOMER
- DIMENSION APPLIES WITH MODULE INSERTED IN CAGE
- HEAT SINKS, HEAT SINK CLIPS AND LIGHT PIPES ARE SHIPPED ASSEMBLED ON CAGE
- MINIMUM PC BOARD THICKNESS: SINGLE SIDED: 1.57 MIN
DOUBLE SIDED: 2.20 MIN
- DATUM -A- IS TOP SURFACE OF THE HOST BOARD.
- THESE HOLES ARE OPTIONAL WHEN THE REAR PINS ARE REMOVED.
- MATES WITH QSFP28 MSA COMPATIBLE TRANSCEIVER.
- DATE CODE (YYWWD) MARKED APPROXIMATELY AS SHOWN.
- PN 2170745-7 IS RESTRICTED TO GOOG.



SCALE 2:1



DETAIL C
SCALE 6:1

| | | | |
|-------|--------------------|----------------------|--|
| 16.0 | WITH | SAN, FIN TYPE | 2170745-9 |
| 16.0 | WITHOUT | SAN, FIN TYPE | 2170745-8 |
| 18.05 | WITHOUT | CUSTOMIZED, FIN TYPE | 2170745-7 11 |
| 23.0 | WITHOUT | NETWORKING, PIN TYPE | 2170745-6 |
| 16.0 | WITHOUT | SAN, PIN TYPE | 2170745-5 |
| 13.7 | WITHOUT | PCI, PIN TYPE | 2170745-4 |
| 23.0 | WITH | NETWORKING, PIN TYPE | 2170745-3 |
| 16.0 | WITH | SAN, PIN TYPE | 2170745-2 |
| 13.7 | WITH | PCI, PIN TYPE | 2170745-1 |
| DIM A | REAR PINS OPTIONAL | APPLICATION | PART NUMBER |

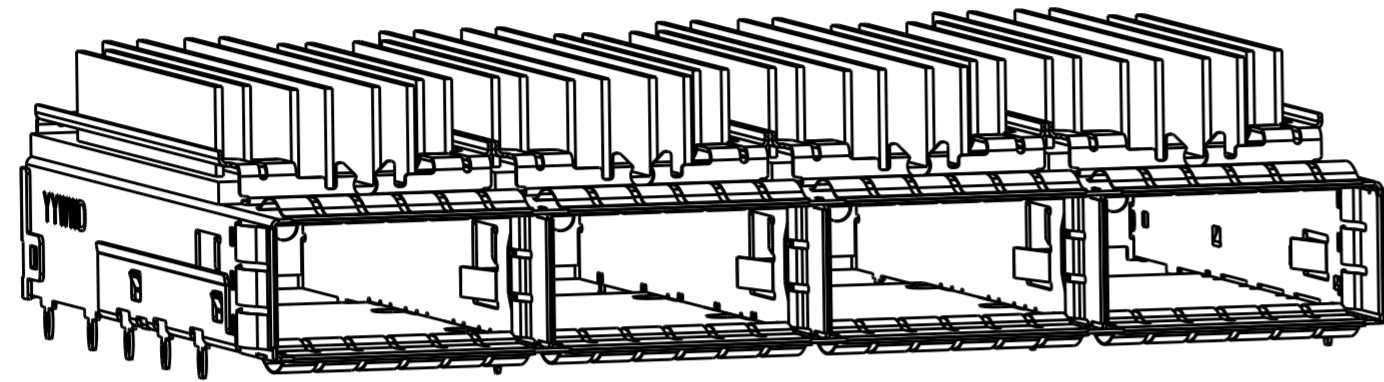
THIS DRAWING IS A CONTROLLED DOCUMENT.

| | | | |
|--------------------|--|--|--|
| DIMENSIONS: mm | TOLERANCES UNLESS OTHERWISE SPECIFIED: 0 PLC ± 1 PLC ±0.25 2 PLC ±0.2 3 PLC ± 4 PLC ± ANGLES ± FINISH | DWN JASON YANG 25JUN2014 CHK SEAN HAN 11JAN2016 APVD - | TE Connectivity NAME RECEPTACLE CAGE ASSEMBLY WITH HEAT SINKS THRU BEZEL, 1X4, QSFP28 SIZE A2 CAGE CODE 00779 DRAWING NO C-2170745 RESTRICTED TO - |
| MATERIAL SEE NOTES | SEE NOTES | PRODUCT SPEC 108-19428 APPLICATION SPEC 114-32023 WEIGHT - CUSTOMER DRAWING | |

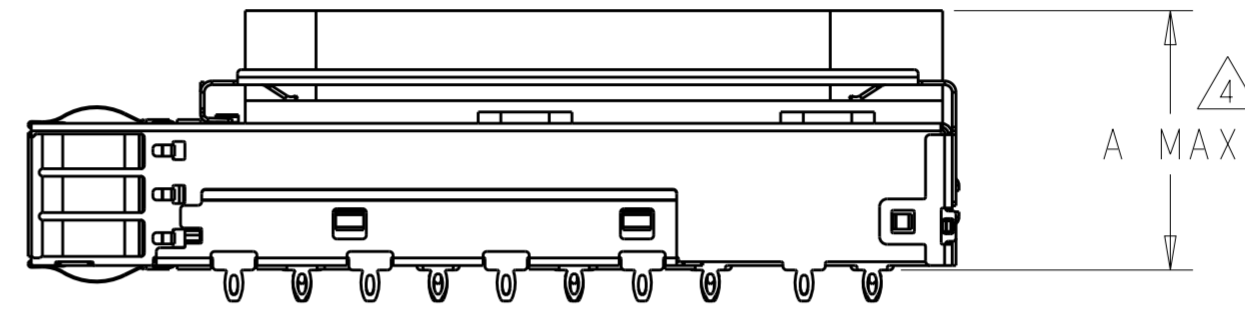
SCALE 3:1 SHEET 1 OF 7 REV D

THIS DRAWING IS UNPUBLISHED. RELEASED FOR PUBLICATION 20
 © COPYRIGHT 20 BY - ALL RIGHTS RESERVED.

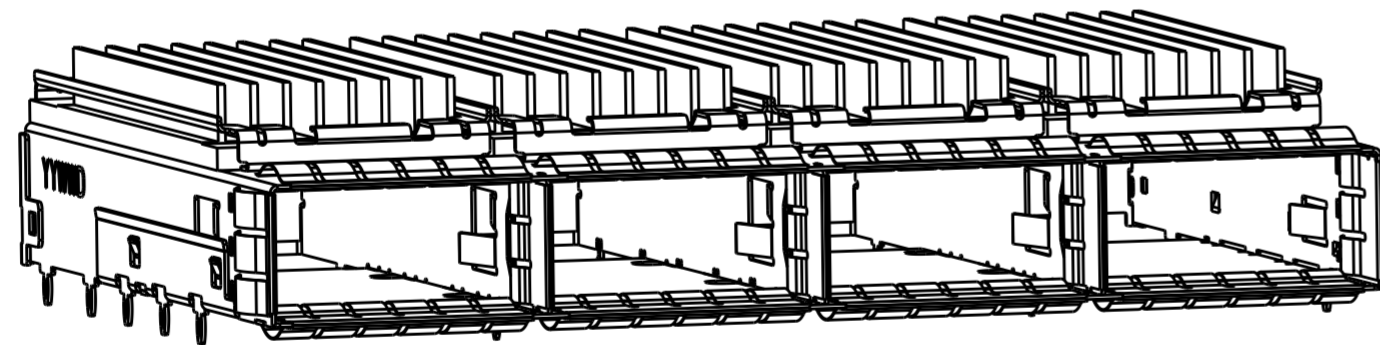
| REVISIONS | | | | |
|-----------|-----|-------------|------|------|
| P | LTR | DESCRIPTION | DATE | APVD |
| - | | SEE SHEET 1 | - | - |
| | | | | |
| | | | | |



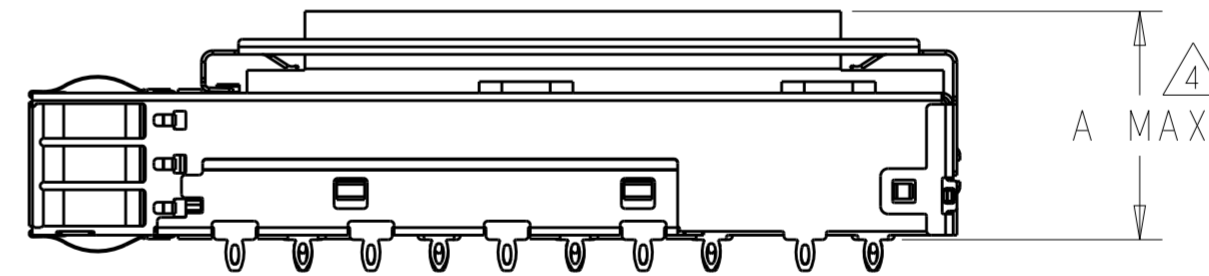
2170745-7 AS SHOWN \triangle
 WITH CUSTOMIZED FIN TYPE HEAT SINK AND LP FEATURE
 SCALE 2:1



SCALE 2:1



2170745-8 AS SHOWN
 WITH FIN TYPE HEAT SINK
 SCALE 2:1

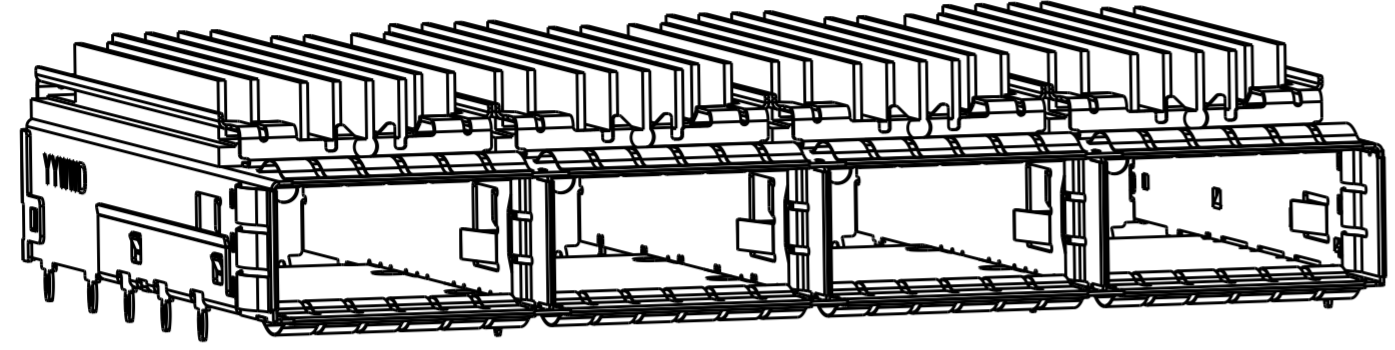


SCALE 2:1

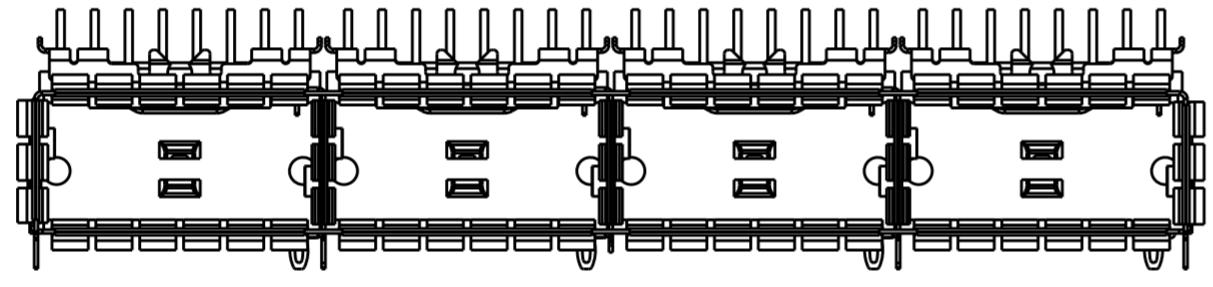
| | | | | |
|--|--|--|-----------------|--|
| THIS DRAWING IS A CONTROLLED DOCUMENT. | | DWN JASON YANG 25 JUN 2014 | TE Connectivity | |
| | | CHK SEAN HAN 11 JAN 2016 | | |
| DIMENSIONS: mm | | TOLERANCES UNLESS OTHERWISE SPECIFIED: | | NAME RECEPTACLE CAGE ASSEMBLY WITH HEAT SINKS THRU BEZEL, 1X4, QSFP28 |
| | | 0 PLC ± | 1 PLC ±0.25 | PRODUCT SPEC 108-19428 |
| | | 2 PLC ±0.2 | 3 PLC ± | APPLICATION SPEC 114-32023 |
| | | 4 PLC ± | ANGLES ± | SIZE A200779 |
| MATERIAL SEE NOTES | | FINISH SEE NOTES | | CAGE CODE C-2170745 |
| | | CUSTOMER DRAWING | | RESTRICTED TO - |
| | | SCALE 3:1 | | SHEET 2 OF 7 |
| | | | | REV D |

THIS DRAWING IS UNPUBLISHED. RELEASED FOR PUBLICATION 20
 © COPYRIGHT 20 BY - ALL RIGHTS RESERVED.

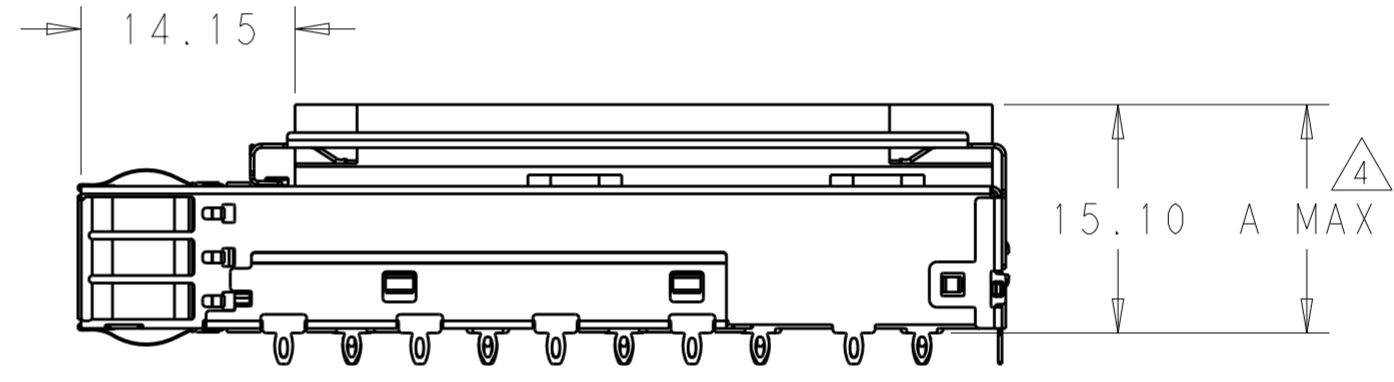
| REVISIONS | | | | |
|-----------|-----|-------------|------|------|
| P | LTR | DESCRIPTION | DATE | APVD |
| - | | SEE SHEET 1 | - | - |
| | | | | |
| | | | | |



2170745-9 AS SHOWN
 WITH CUSTOMIZED FIN TYPE HEAT SINK
 SCALE 2:1



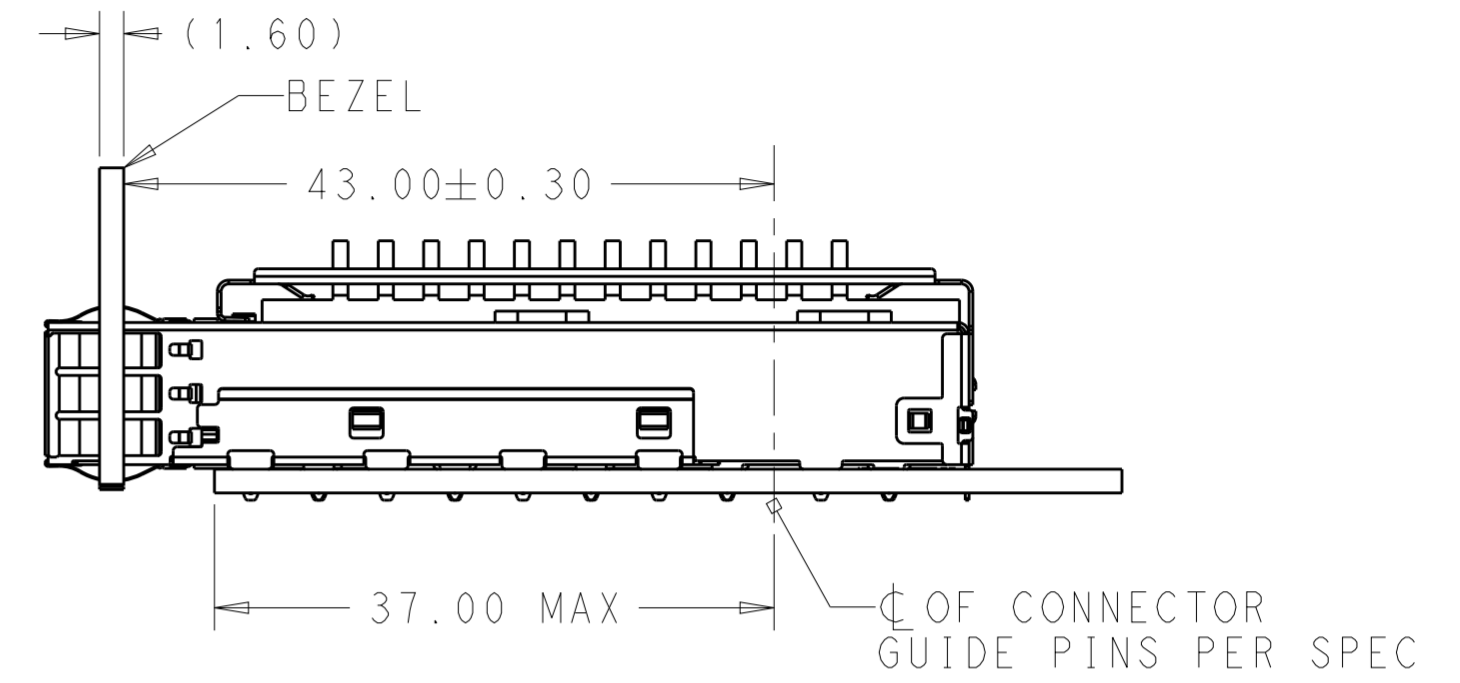
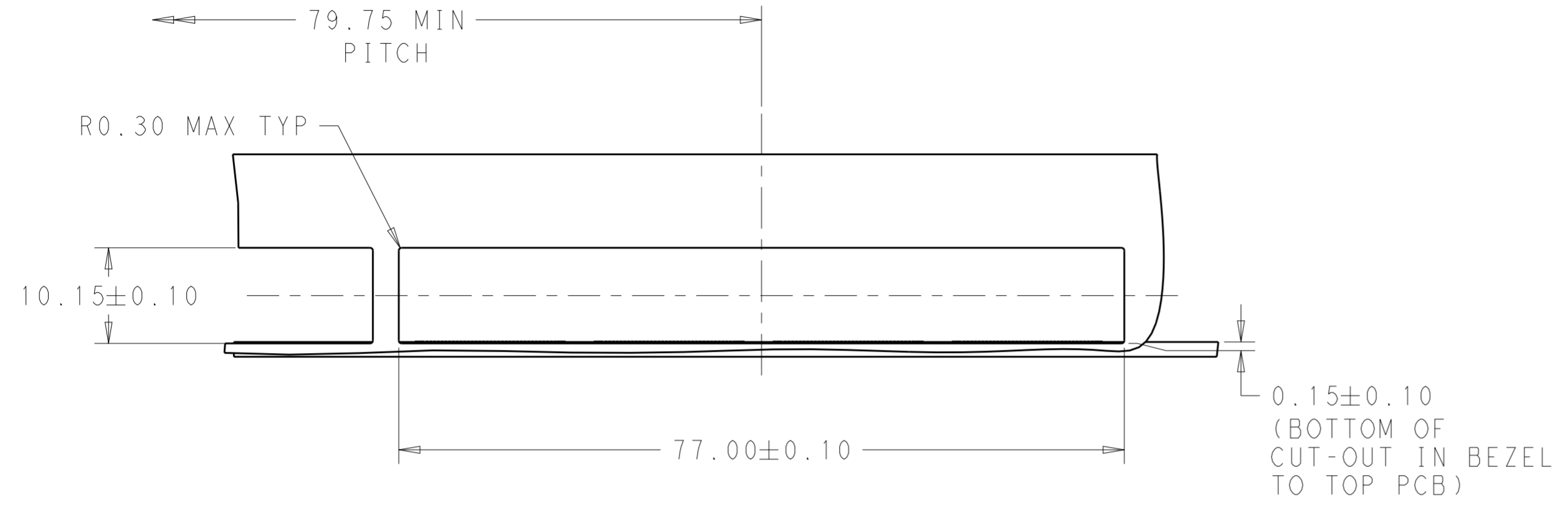
SCALE 2:1



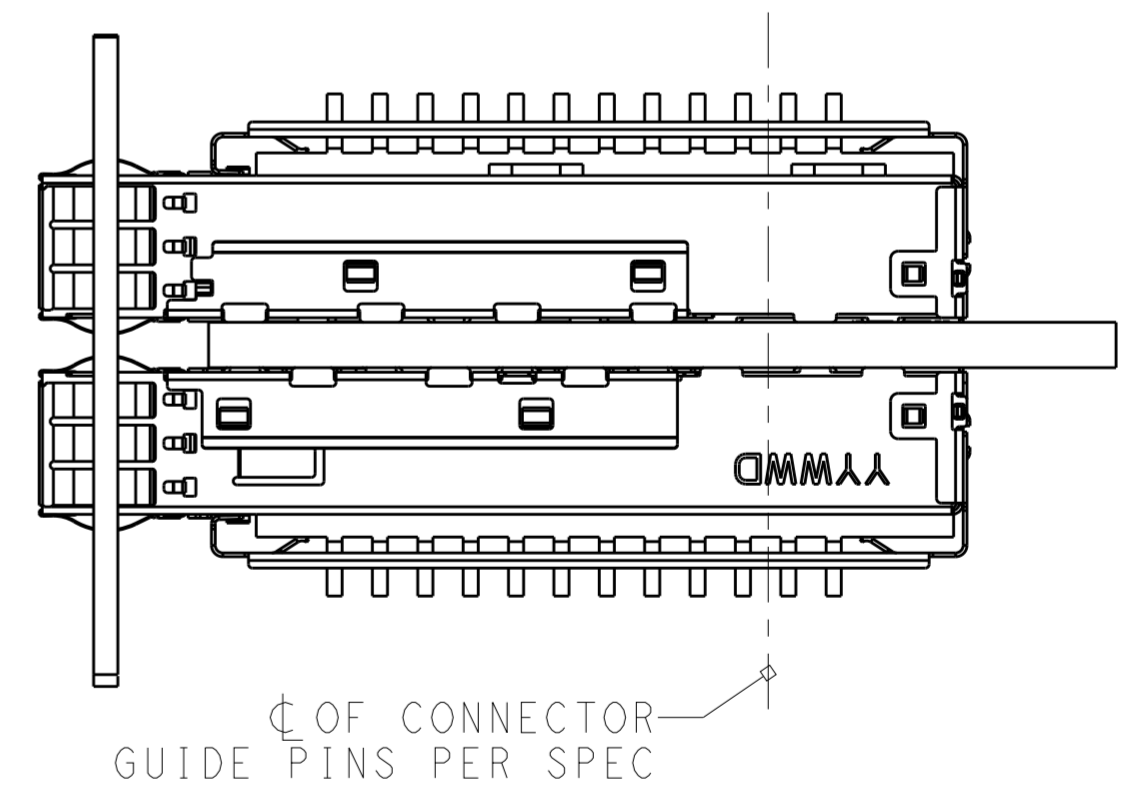
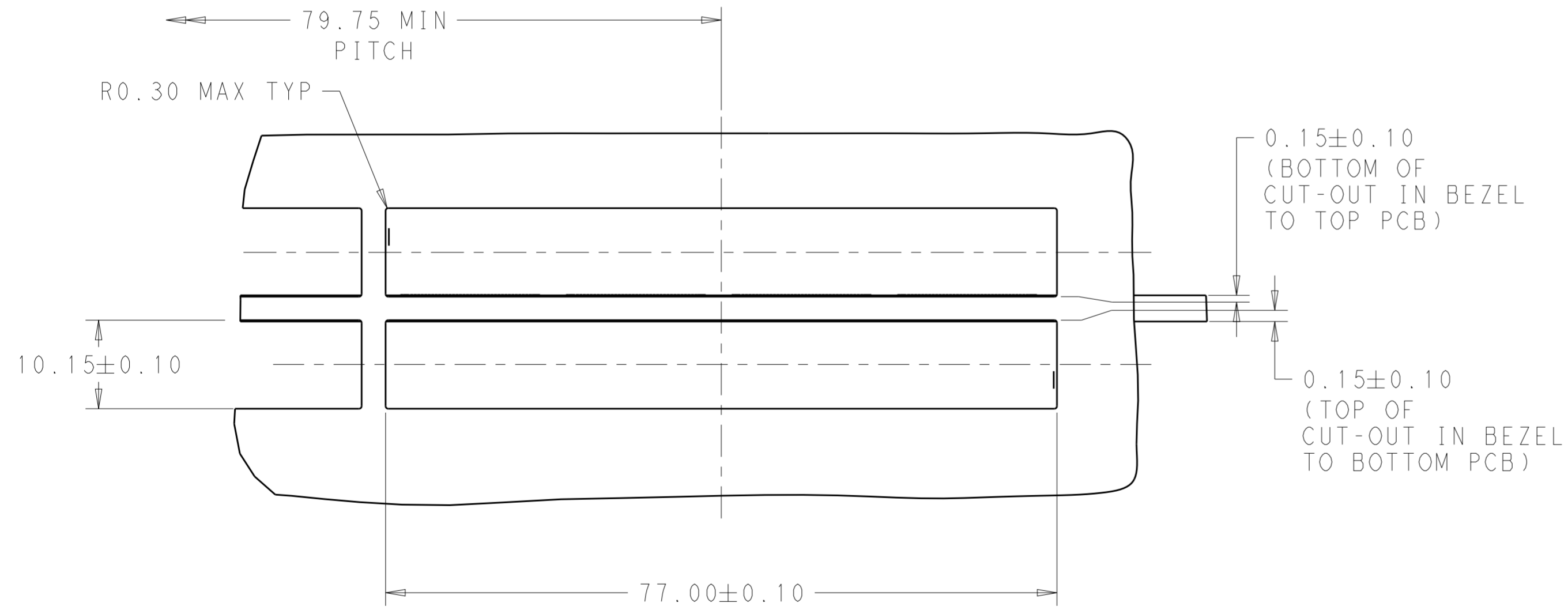
| | | | | |
|--|--|--|-----------------|--|
| THIS DRAWING IS A CONTROLLED DOCUMENT. | | DWN JASON YANG 25 JUN 2014 | TE Connectivity | |
| | | CHK SEAN HAN 11 JAN 2016 | | |
| DIMENSIONS: mm | | TOLERANCES UNLESS OTHERWISE SPECIFIED: | | NAME RECEPTACLE CAGE ASSEMBLY WITH HEAT SINKS THRU BEZEL, 1X4, QSFP28 |
| | | 0 PLC ± 1 PLC ±0.25 2 PLC ±0.2 3 PLC ± 4 PLC ± ANGLES ± FINISH ± | | PRODUCT SPEC 108-19428 |
| MATERIAL SEE NOTES | | APPLICATION SPEC 114-32023 | | SIZE A200779 |
| | | WEIGHT - | | CAGE CODE C-2170745 |
| | | CUSTOMER DRAWING | | DRAWING NO - |
| | | SCALE 3:1 | | RESTRICTED TO - |
| | | SHEET 3 OF 7 | | REV D |

THIS DRAWING IS UNPUBLISHED. RELEASED FOR PUBLICATION 20
 © COPYRIGHT 20 BY - ALL RIGHTS RESERVED.


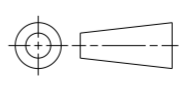
| REVISIONS | | | | |
|-----------|-----|-------------|------|------|
| P | LTR | DESCRIPTION | DATE | APVD |
| - | - | SEE SHEET 1 | - | - |
| | | | | |
| | | | | |



SINGLE SIDE MOUNTING
SCALE 2:1

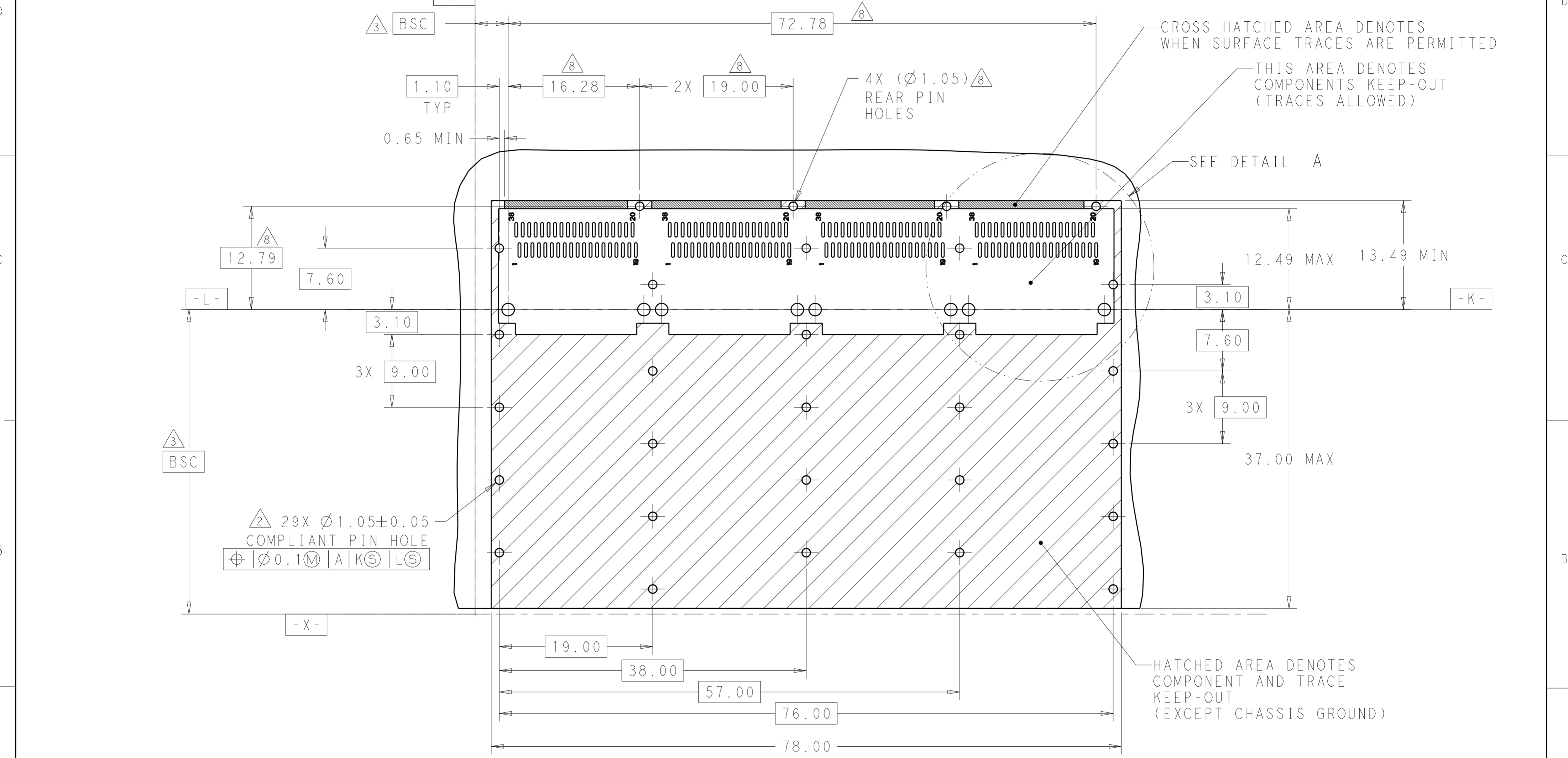


BELLY TO BELLY MOUNTING
SCALE 2:1

| | | | | |
|---|--|----------------------------------|---|-------------------------|
| THIS DRAWING IS A CONTROLLED DOCUMENT. | | DWN JASON YANG 25 JUN 2014 |  TE Connectivity | |
| | | CHK SEAN HAN 11 JAN 2016 | | |
| DIMENSIONS: mm | TOLERANCES UNLESS OTHERWISE SPECIFIED: | APVD - | NAME RECEPTACLE CAGE ASSEMBLY WITH HEAT SINKS THRU BEZEL, 1X4, QSFP28 | RESTRICTED TO |
|  | 0 PLC ± 1 PLC ±0.25 2 PLC ±0.2 3 PLC ± 4 PLC ± ANGLES ± FINISH | PRODUCT SPEC 108-19428 | SIZE 114-32023 | SIZE A200779 |
| MATERIAL SEE NOTES | SEE NOTES | APPLICATION SPEC 114-32023 | WEIGHT - | DRAWING NO C-2170745 |
| | | CUSTOMER DRAWING | SCALE 3:1 | SHEET 4 OF 7 |
| | | | | REV D |

THIS DRAWING IS UNPUBLISHED. RELEASED FOR PUBLICATION 20
 © COPYRIGHT 20 BY - ALL RIGHTS RESERVED.

| REVISIONS | | | | |
|-----------|-----|-------------|------|------|
| P | LTR | DESCRIPTION | DATE | APVD |
| - | - | SEE SHEET 1 | - | - |
| | | | | |
| | | | | |

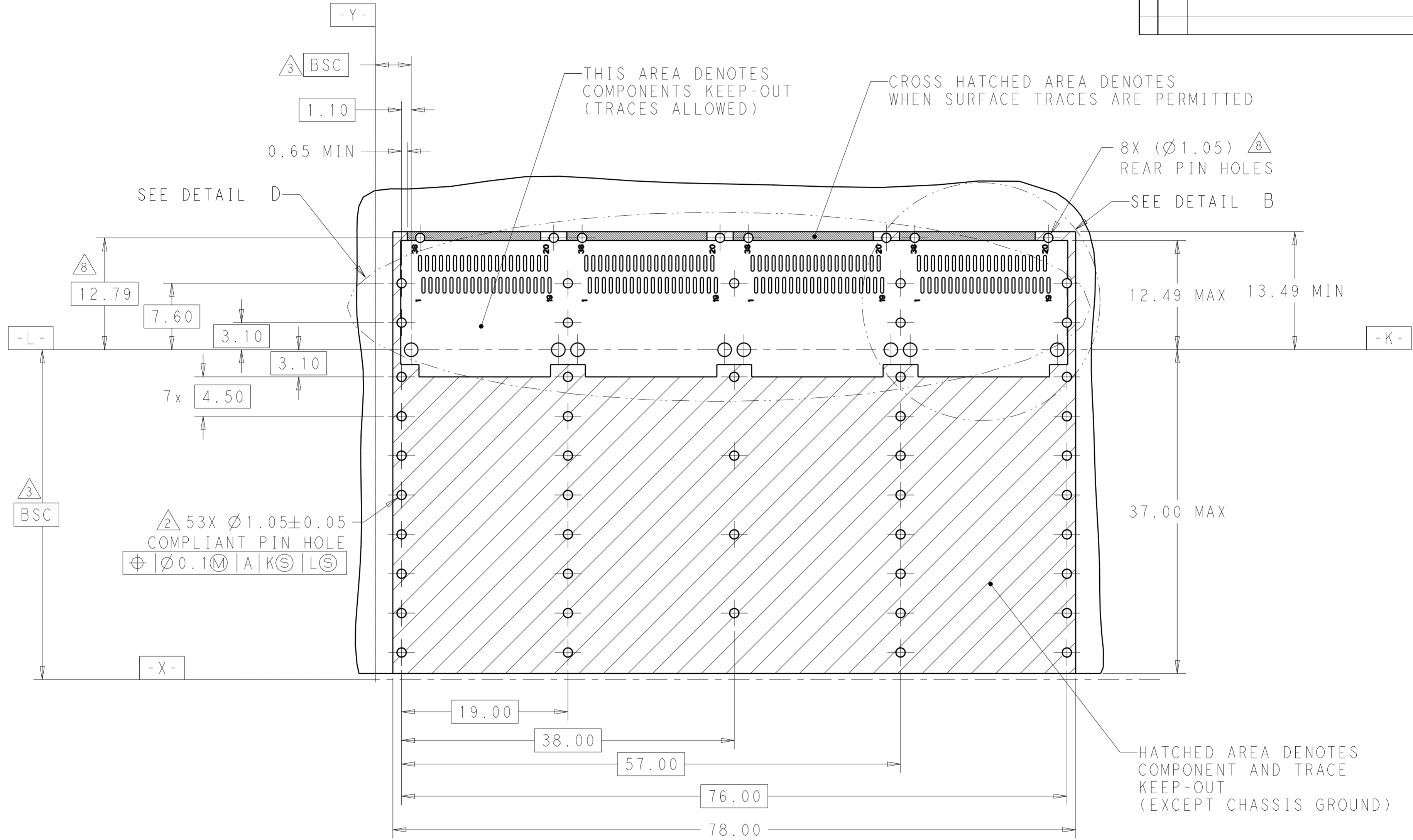


RECOMMENDED PCB LAYOUT
 SINGLE TYPE
 PCB TOLERANCE: ±0.05
 SCALE 3:1

| | | | | |
|--|--|-------------------------------|---|-----------------|
| THIS DRAWING IS A CONTROLLED DOCUMENT. | | DWN 25 JUN 2014 JASON YANG | TE Connectivity | |
| | | CHK 11 JAN 2016 SEAN HAN | | |
| DIMENSIONS: mm | | APVD - | NAME RECEPTACLE CAGE ASSEMBLY WITH HEAT SINKS THRU BEZEL, 1X4, QSFP28 | |
| TOLERANCES UNLESS OTHERWISE SPECIFIED: | | PRODUCT SPEC 108-19428 | RESTRICTED TO - | |
| 0 PLC ±- | | APPLICATION SPEC 114-32023 | SIZE A2 | CAGE CODE 00779 |
| 1 PLC ±0.25 | | WEIGHT - | DRAWING NO C-2170745 | SCALE 3:1 |
| 2 PLC ±0.2 | | CUSTOMER DRAWING | SHEET 5 OF 7 | REV D |
| 3 PLC ±- | | | | |
| 4 PLC ±- | | | | |
| ANGLES ±- | | | | |
| FINISH SEE NOTES | | | | |

THIS DRAWING IS UNPUBLISHED. RELEASED FOR PUBLICATION 20
 © COPYRIGHT 20 BY - ALL RIGHTS RESERVED.

| REVISIONS | | | | |
|-----------|-----|-------------|------|------|
| P | LTR | DESCRIPTION | DATE | APVD |
| - | - | SEE SHEET 1 | - | - |
| | | | | |
| | | | | |

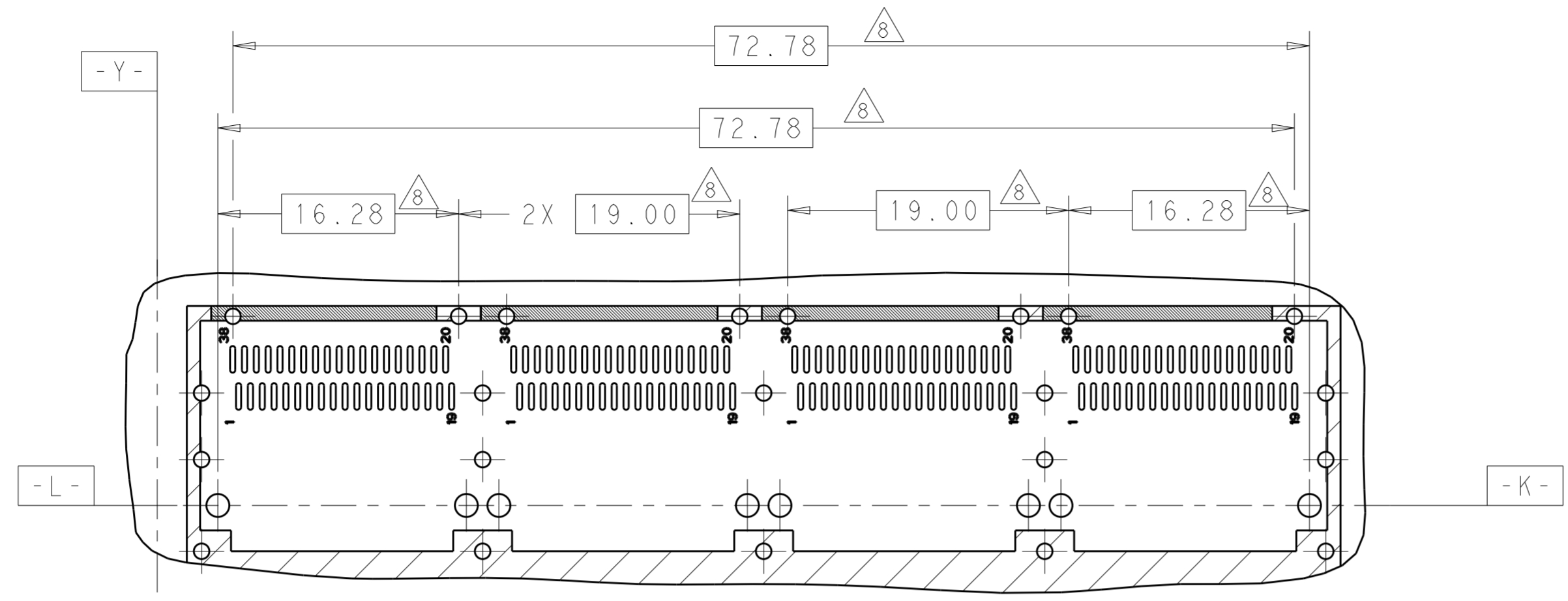


RECOMMENDED PCB LAYOUT
 BELLY TO BELLY TYPE
 PCB TOLERANCE: ±0.05
 SCALE 3:1

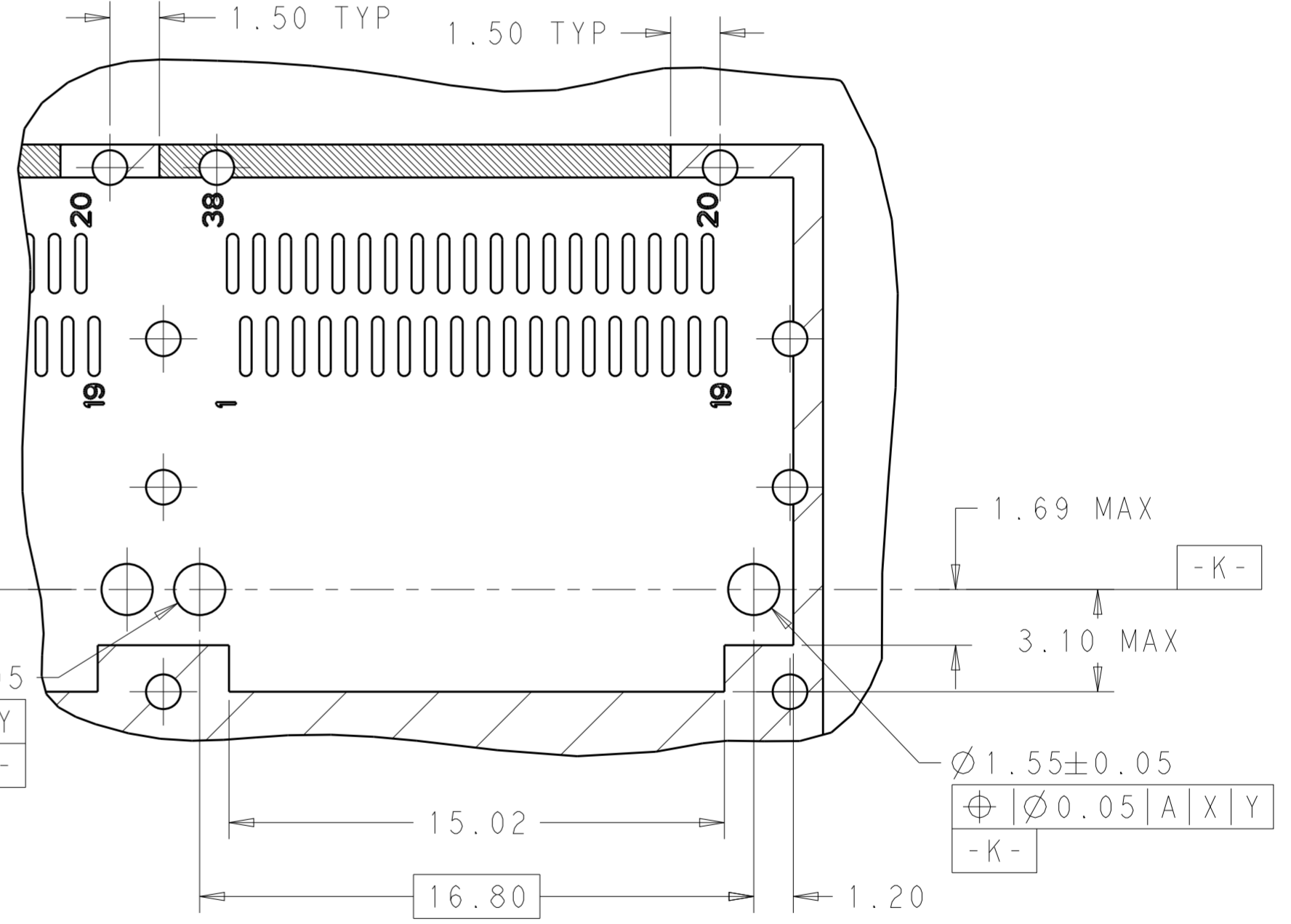
| | | | | |
|--|--|--|-----------------|--|
| THIS DRAWING IS A CONTROLLED DOCUMENT. | | DWN JASON YANG 25 JUN 2014 | TE Connectivity | |
| | | CHK SEAN HAN 11 JAN 2016 | | |
| DIMENSIONS: mm | | TOLERANCES UNLESS OTHERWISE SPECIFIED: 0 PLC ± 1 PLC ±0.25 2 PLC ±0.2 3 PLC ± 4 PLC ± ANGLES ± FINISH ± | | NAME RECEPTACLE CAGE ASSEMBLY WITH HEAT SINKS THRU BEZEL, 1X4, QSFP28 |
| MATERIAL SEE NOTES | | APVD - PRODUCT SPEC 108-19428 APPLICATION SPEC 114-32023 WEIGHT - | | SIZE A200779 CAGE CODE C-2170745 DRAWING NO - RESTRICTED TO - |
| | | CUSTOMER DRAWING | | SCALE 3:1 SHEET 6 OF 7 REV D |

THIS DRAWING IS UNPUBLISHED. RELEASED FOR PUBLICATION 20
 © COPYRIGHT 20 BY - ALL RIGHTS RESERVED.

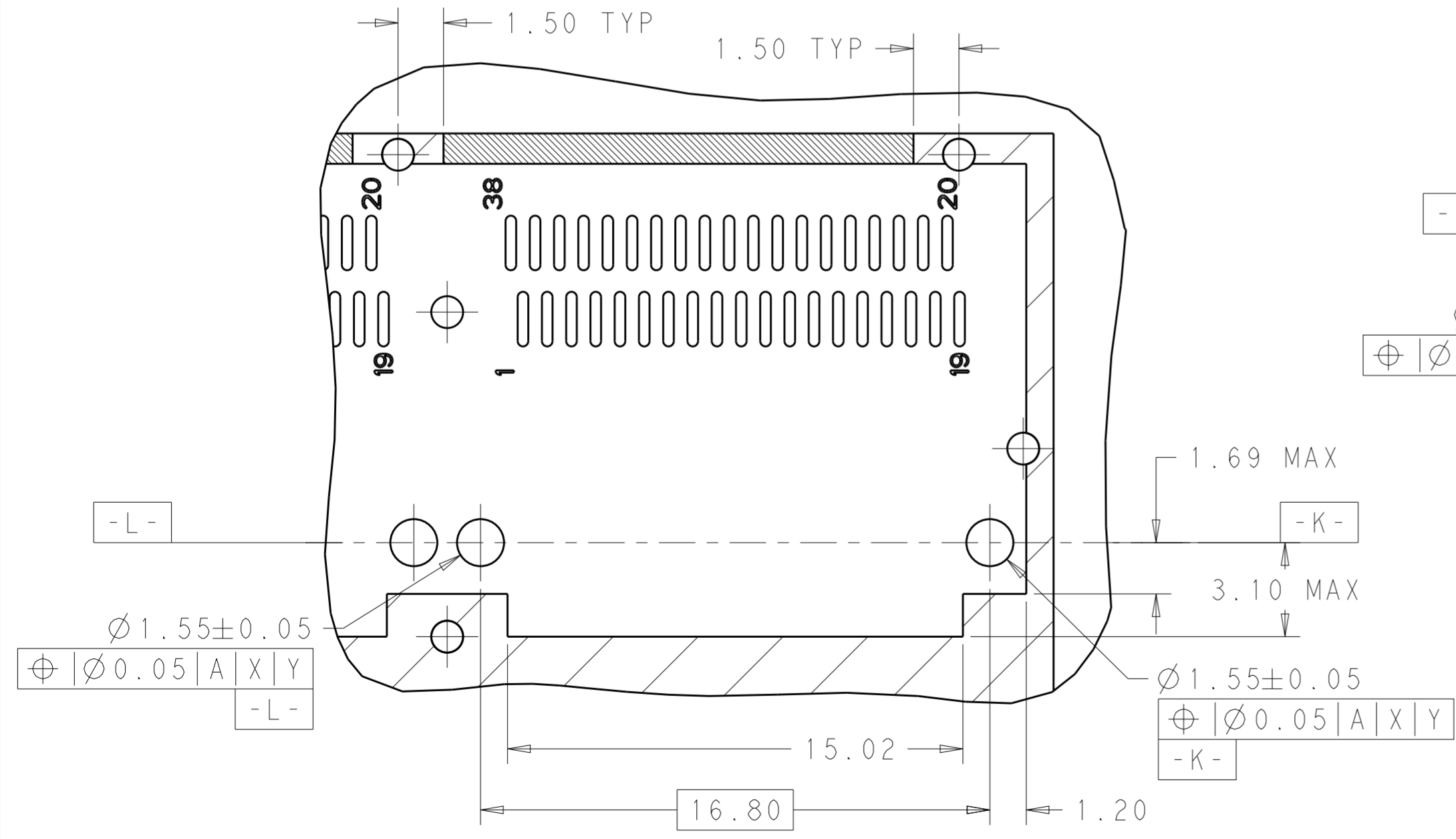
| REVISIONS | | | | |
|-----------|-----|-------------|------|------|
| P | LTR | DESCRIPTION | DATE | APVD |
| - | - | SEE SHEET 1 | - | - |
| | | | | |
| | | | | |



DETAIL D
SCALE 3:1



DETAIL B
SCALE 6:1



DETAIL A
SCALE 6:1

| | | | | |
|--|--|----------------------------------|--|------------------------|
| THIS DRAWING IS A CONTROLLED DOCUMENT. | | DWN JASON YANG 25 JUN 2014 | TE Connectivity | |
| | | CHK SEAN HAN 11 JAN 2016 | | |
| DIMENSIONS: mm | TOLERANCES UNLESS OTHERWISE SPECIFIED: | APVD - | NAME RECEPTACLE CAGE ASSEMBLY WITH HEAT SINKS THRU BEZEL, 1X4, QSFP28 | RESTRICTED TO - |
| | 0 PLC ± 1 PLC ±0.25 2 PLC ±0.2 3 PLC ± 4 PLC ± | PRODUCT SPEC 108-19428 | SIZE A200779 | CAGE CODE C-2170745 |
| MATERIAL SEE NOTES | FINISH SEE NOTES | APPLICATION SPEC 114-32023 | DRAWING NO. - | SCALE 3:1 |
| | | WEIGHT - | CUSTOMER DRAWING | SHEET 7 OF 7 |
| | | | | REV D |

单击下面可查看定价，库存，交付和生命周期等信息

[>>TE Connectivity\(泰科\)](#)