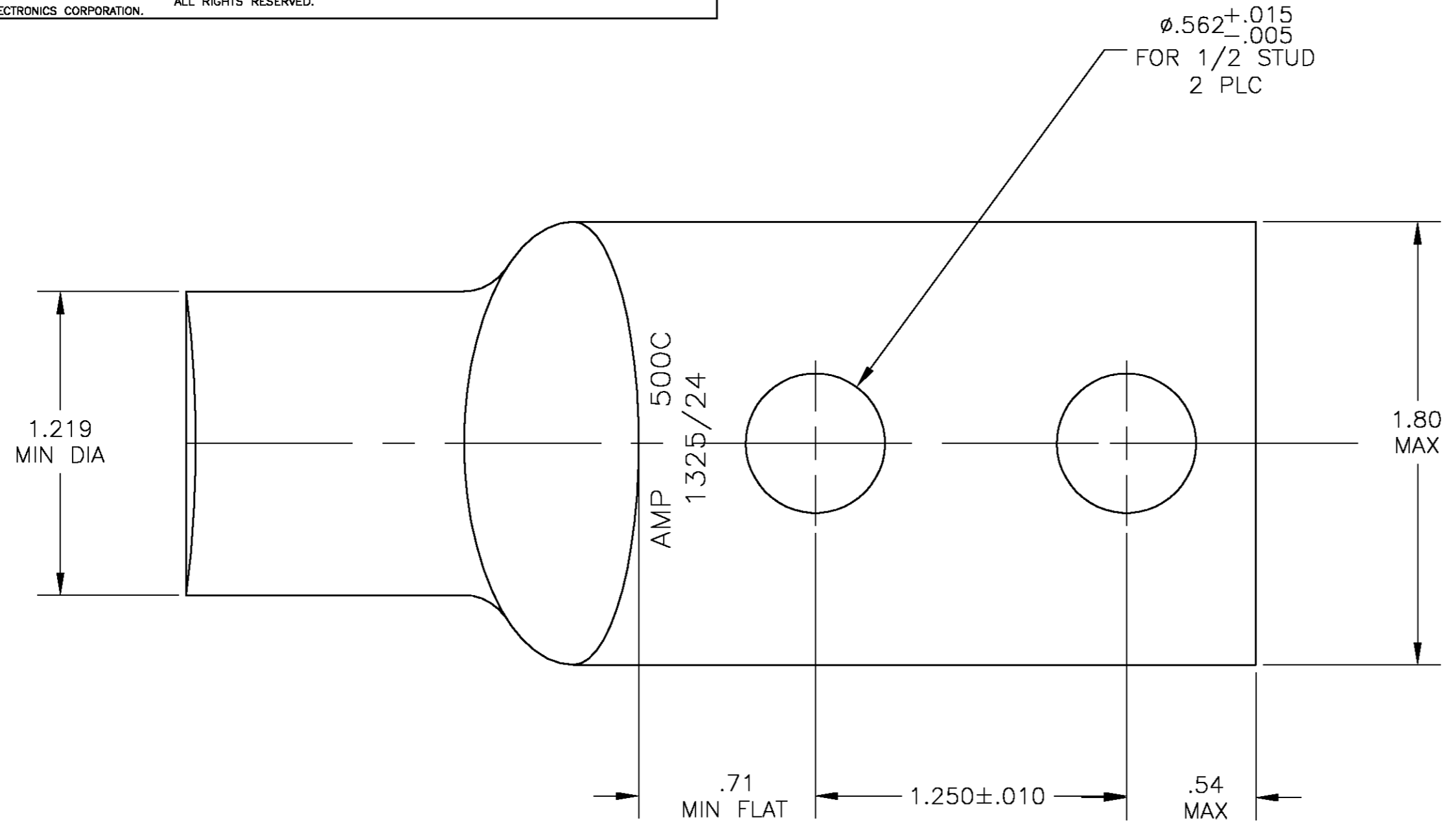
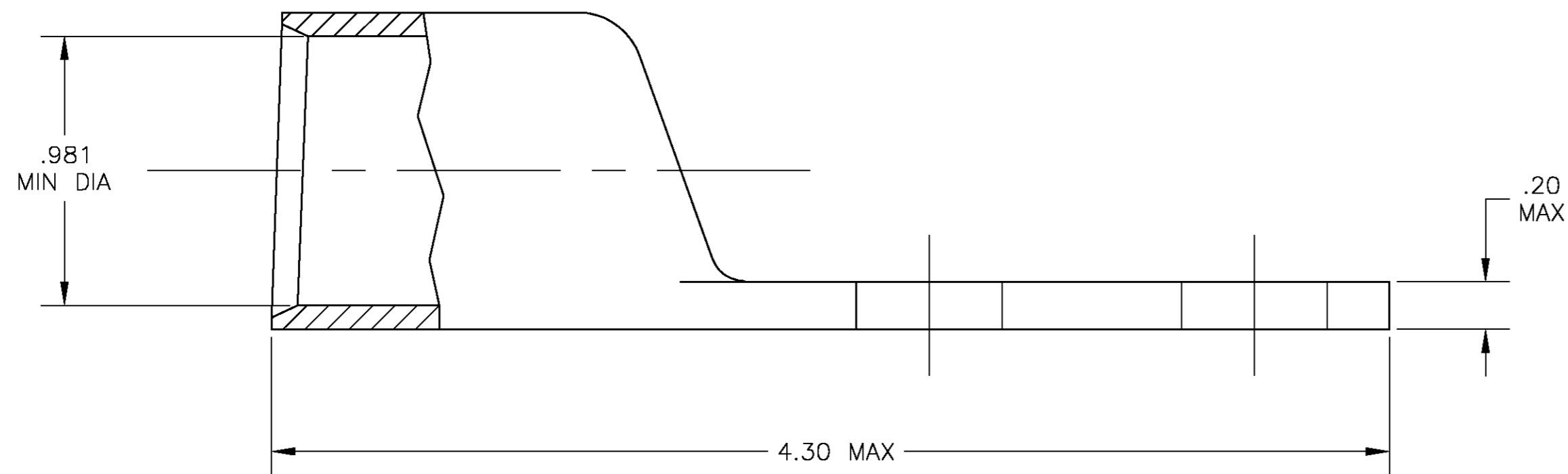


THIS DRAWING IS UNPUBLISHED. RELEASED FOR PUBLICATION
 © COPYRIGHT BY TYCO ELECTRONICS CORPORATION. ALL RIGHTS RESERVED.

| LOC | DIST | REVISIONS | | | | | |
|-----|------|-----------|-----|----------------------|---------|-----|------|
| | | P | LTR | DESCRIPTION | DATE | DWN | APVD |
| G | 10 | B | | REV PER 0G3A-0129-04 | 23FEB04 | JR | MS |



- 1 CIRCULAR MIL AREA RANGE: 450-550 MCM
- 2 COPPER PER ASTM B-75, ANNEALED
- 3 TIN PLATE .000150 MIN THK PER ASTM B-545
- 4 PRE-PRODUCTION - FASR REQUIRED



4 696683-1
AMP
PART NUMBER

| | | | | | |
|---|-----|--------------|-----------|---------|--|
| THIS DRAWING IS A CONTROLLED DOCUMENT. | | DWN | jr ruth | 15JAN04 | Tyco Electronics Corporation Harrisburg, Pa, 17105-3608 |
| DIMENSIONS: INCHES | | CHK | MJ SPICER | 15JAN04 | |
| TOLERANCES UNLESS OTHERWISE SPECIFIED: | | APVD | MJ SPICER | 15JAN04 | |
| 0 PLC ± - 1 PLC ± - 2 PLC ± .02 3 PLC ± - 4 PLC ± - ANGLES ± - | | PRODUCT SPEC | 108-30200 | | |
| MATERIAL | - 2 | FINISH | 3 | WEIGHT | - |
| CUSTOMER DRAWING | | SCALE | 2:1 | | SHEET 1 OF 1 |
| | | REV | B | | |

单击下面可查看定价，库存，交付和生命周期等信息

[>>TE Connectivity\(泰科\)](#)