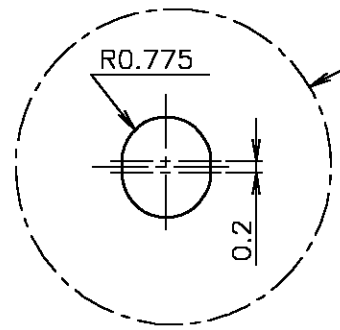
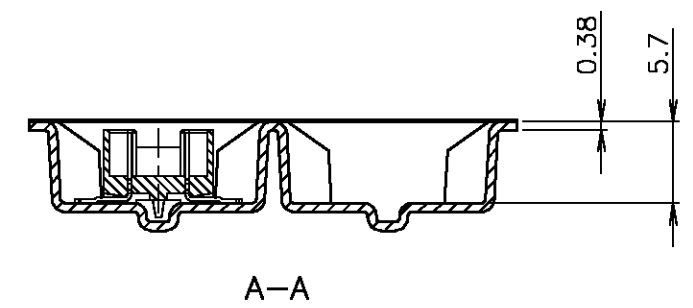
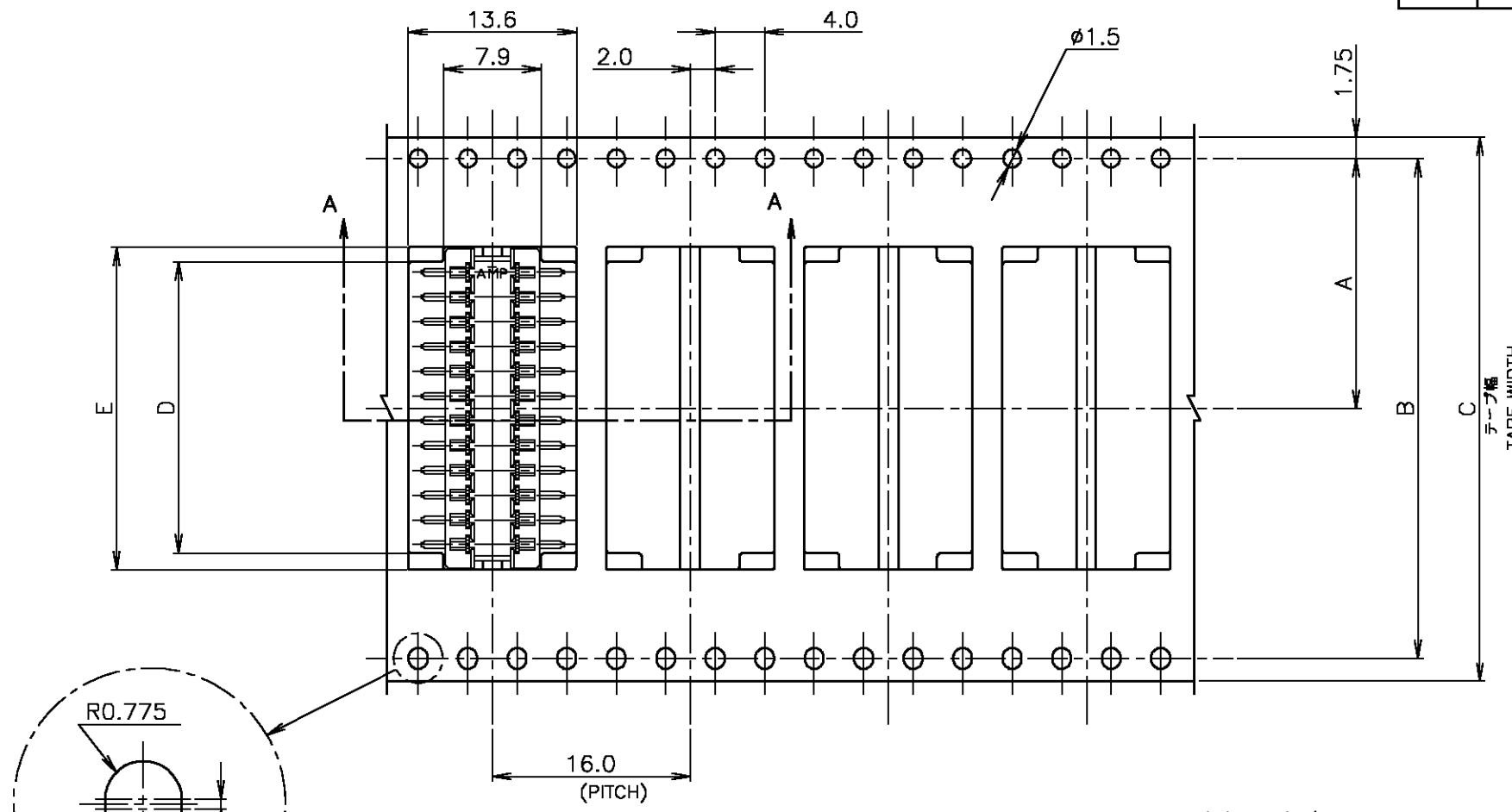


THIS DRAWING IS UNPUBLISHED. RELEASED FOR PUBLICATION
 © COPYRIGHT BY TYCO ELECTRONICS CORPORATION. ALL RIGHTS RESERVED.

LOC	DIST	REVISIONS			
P	LTR	DESCRIPTION	DATE	DWN	APVD
J					
	F	REVISED FJBO-0346-03	28APR03	T.K	Y.Y

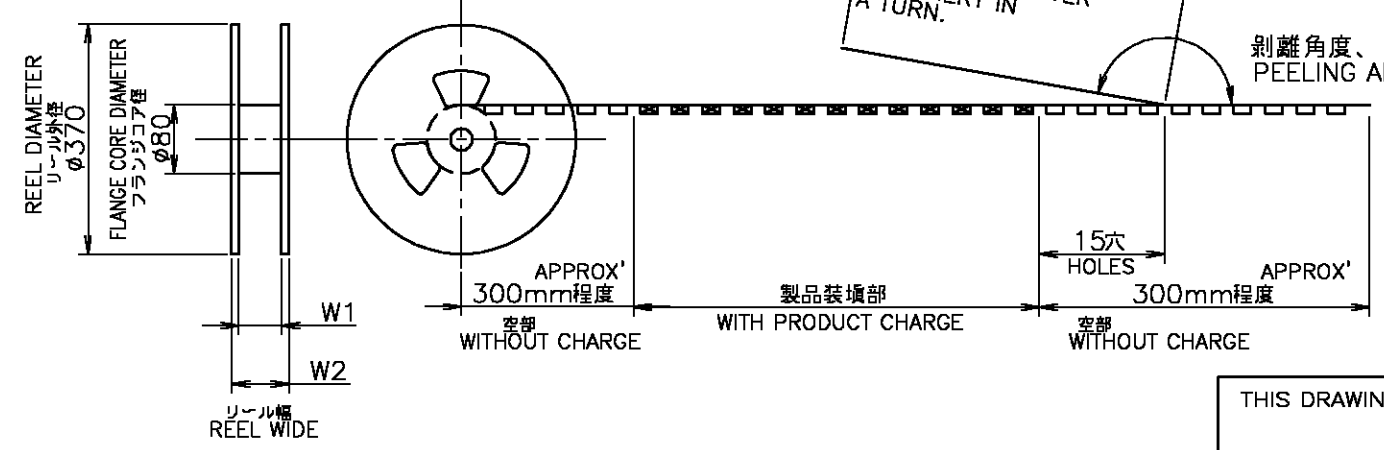


引出し方向
TOP OF REEL →

注記
1.リセコンタクト仕上げ:ニッケル下地 錫めっき

注記
1.REC CONTACT FINISH :
TIN PLATING, Ni UNDER PL. ALL OVER

カバーテープ
リーダー部
外周一巻
WEEDING THE COVER TAPE
AROUND THE OUTER
PERIPHERY IN
A TURN.
剥離角度、165° ~ 180°
PEELING ANGLE.



49.5	45.5	32.1	29.6	44	40.4	20.2	800	30	3-179395-0	3-179437-0
49.5	45.5	32.1	29.6	44	40.4	20.2	800	22	2-179395-2	2-179437-2
29.5	25.5	8.1	5.6	24	---	11.5	800	6	179395-6	179437-6
W2	W1	E	D	C	B	A	数量 (ヶ) QTY/REEL	極数 Pos.	コネクタ型番 (バラ状) CONNECTOR P/N (L/P)	リール巻 コネクタ型番 TAPING P/N

THIS DRAWING IS A CONTROLLED DOCUMENT.

DWN	K.SAKAWA	24JAN94		Tyco Electronics AMP K.K.	
CHK	S.KUBOUCHI	24JAN94		Kawasaki, Japan	
APVD	S.KUBOUCHI	16JUN95		NAME	
DIMENSIONS: MM			PRODUCT SPEC	2.0 A-F CONN. REC ASSEMBLY (V-TYPE) ON TAPING	
TOLERANCES UNLESS OTHERWISE SPECIFIED:			APPLICATION SPEC	RESTRICTED TO	
0-PLC ± 1-PLC ± 2-PLC ± 3-PLC ± 4-PLC ± ANGLES ±			WEIGHT	SIZE	CAGE CODE
MATERIAL			CUSTOMER DRAWING	A3	00779
			FINISH	DRAWING NO	
				C-179437	
				SCALE	SHEET
				NTS	1 OF 1
				REV	F

单击下面可查看定价，库存，交付和生命周期等信息

[>>TE Connectivity\(泰科\)](#)