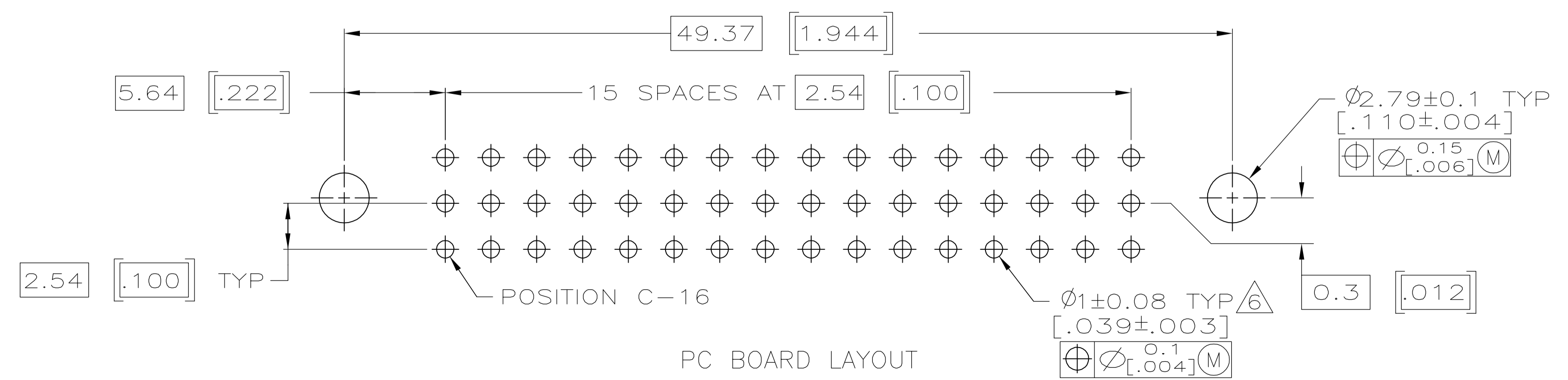
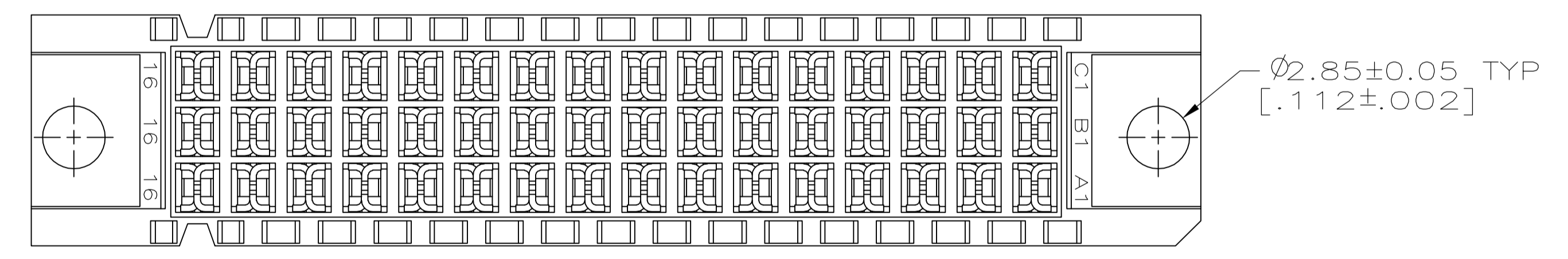
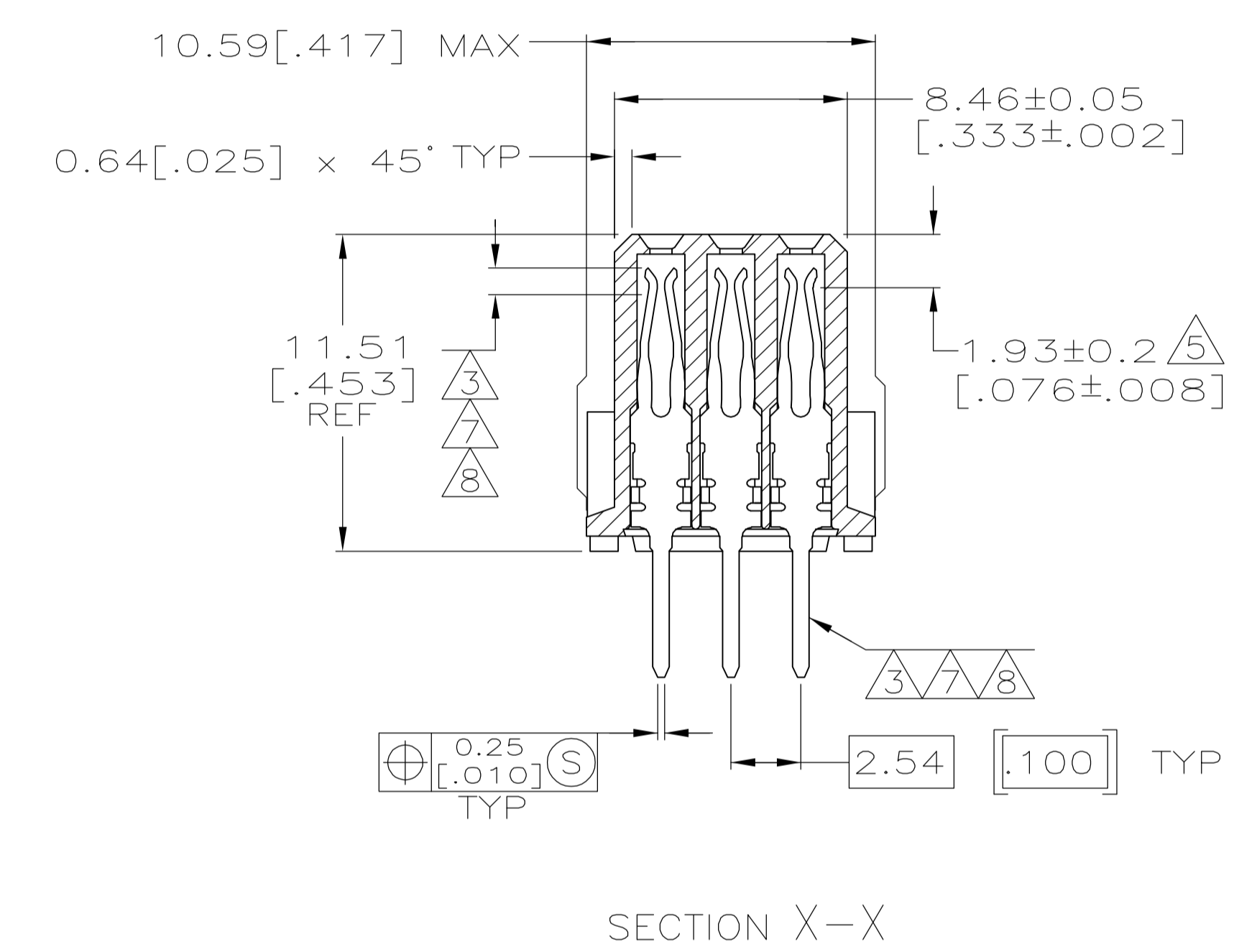
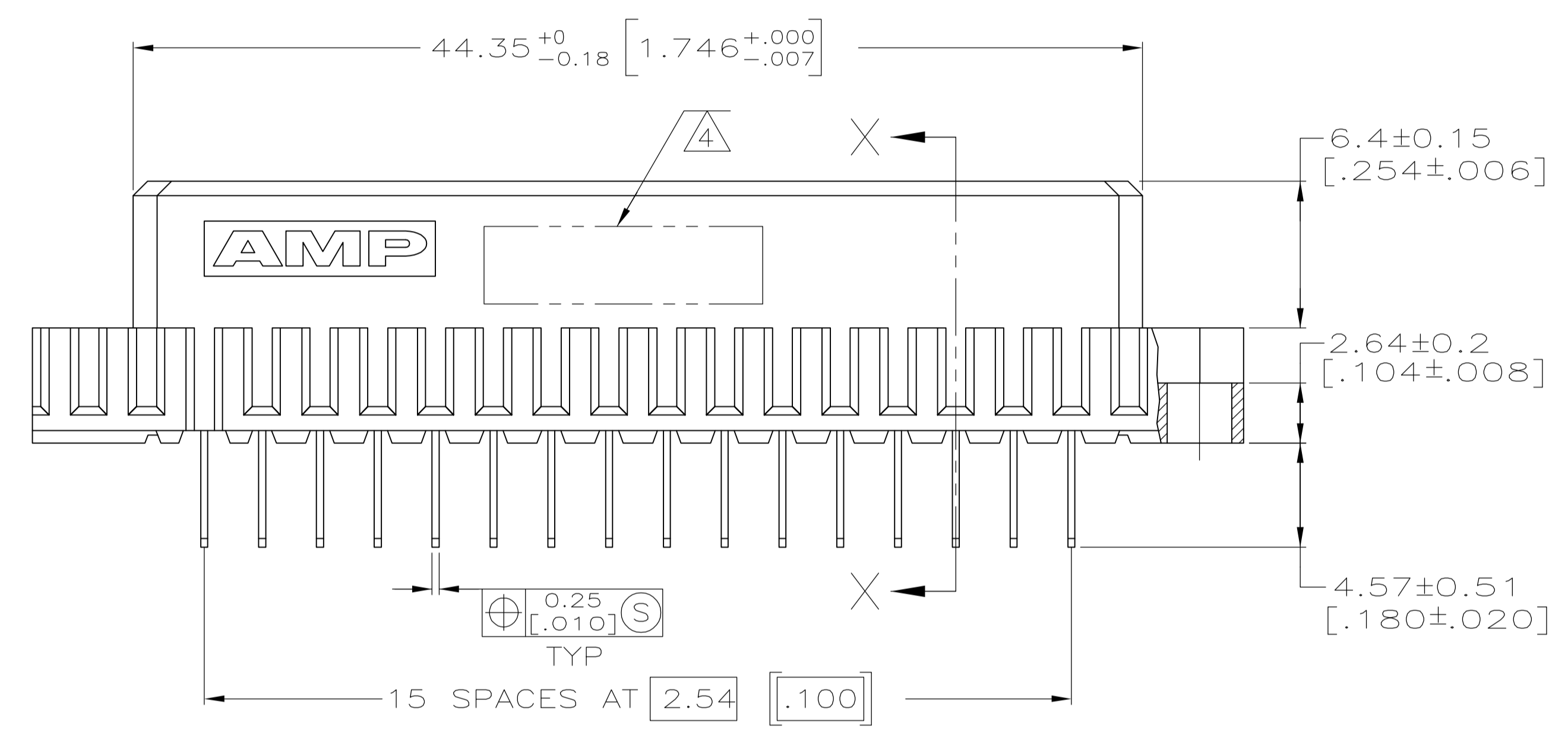


- 1 HOUSING MATERIAL: GLASS-FILLED POLYESTER. COLOR: GRAY.
- 2 CONTACT MATERIAL: PHOSPHOR BRONZE.
- 3 CONTACT FINISH: 0.00076 [.000030] GOLD IN CONTACT AREA. 0.00127 [.000050] NICKEL UNDERPLATE ALL OVER. TIN-LEAD ON POSTS.
- 4 PART NUMBER, DATE CODE IDENTIFICATION, CSA LOGO IN THIS APPROXIMATE AREA, ON REVERSE SIDE.
- 5 POINT OF MEASUREMENT FOR GOLD.
- 6 RECOMMENDED HOLE SIZE FOR MANUAL APPLICATION OF CONNECTOR ONTO PC BOARD.
- 7 CONTACT FINISH: DIN 41612 CLASS 3 IN CONTACT AREA. TIN-LEAD ON POSTS.
- 8 CONTACT FINISH: DIN 41612 CLASS 2 IN CONTACT AREA. TIN-LEAD ON POSTS.



OBSELETE	1 THRU 16	X	X	X	48	535071-9
	1 THRU 16	X	X	X	48	535071-5
	1 THRU 16	X	X	X	48	535071-4
NOTES	POSITIONS LOADED	C	B	A	NO. OF LOADED POSITION	ASSY PART NUMBER

THIS DRAWING IS A CONTROLLED DOCUMENT.		DWN	L. BRINER	5/8/89	 Tyco Electronics Corporation Harrisburg, PA 17105-3608
DIMENSIONS: mm [INCHES]		CHK	J. BROWN	5/15/89	
TOLERANCES UNLESS OTHERWISE SPECIFIED:		APVD	J. BROWN	5/15/89	NAME
0 PLC	± -	PRODUCT SPEC		RECEPTACLE ASSEMBLY, EUROCARD, TYPE C	
1 PLC	± -	APPLICATION SPEC		SIZE	
2 PLC	± -	WEIGHT		SCALE	
3 PLC	± 0.13 [.005]	CUSTOMER DRAWING		4:1	
4 PLC	± -	RESTRICTED TO		SHEET 1 OF 1	
ANGLES	± -	REV		J	

单击下面可查看定价，库存，交付和生命周期等信息

[>>TE Connectivity\(泰科\)](#)