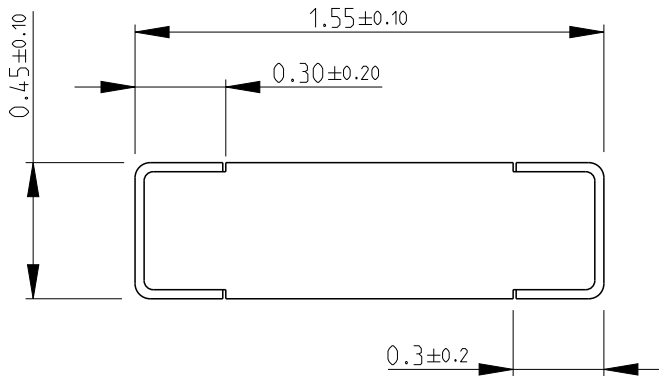
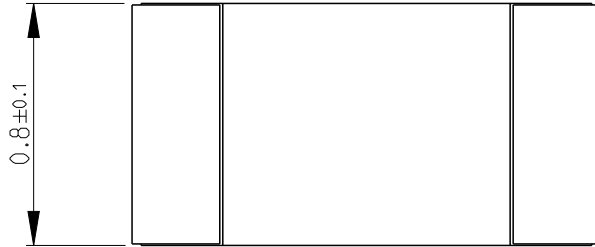


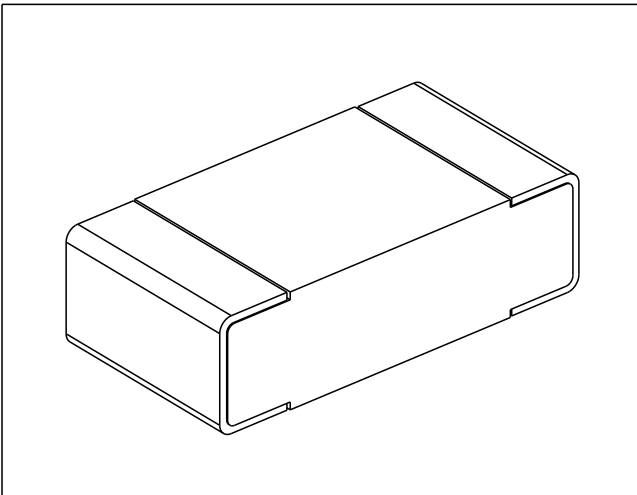
REVISIONS

| P | LTR | DESCRIPTION | DATE | DWN | APVD |
|---|-----|---------------|-----------|-----|------|
| | BA2 | ECR-14-009193 | 19JUN2014 | KR | TN |

FOR FURTHER INFORMATION SEE DATA SHEET FOR
CPF SERIES-THIN FILM PRECISION CHIP RESISTORS



RoHS Compliant



2008


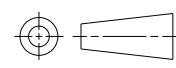
RELEASED FOR PUBLICATION

ALL RIGHTS RESERVED.

BY -

© COPYRIGHT 2008

THIS DRAWING IS UNPUBLISHED.

| | | | | | | | |
|---|--|------------------|-----------|--|-----------|------------|---------------|
| DIMENSIONS: | | DWN | 22-Sep-08 | MATERIAL | - | FINISH | - |
| mm | | SUBHASH.M | |  TE Connectivity | | | |
| TOLERANCES UNLESS OTHERWISE SPECIFIED: | | CHK | 22-Sep-08 | | | | |
| 0 PLC ±0.2 | | PRAKASH.S | | | | | |
| 1 PLC ±0.1 | | APVD | 22-Sep-08 | NAME THIN FILM PRECISION CHIP RESISTORS | | | |
| 2 PLC ± | | STEPHEN.P | | SERIES CPF 0603 | | | |
| 3 PLC ± | | PRODUCT SPEC | - | SIZE | CAGE CODE | DRAWING NO | RESTRICTED TO |
| 4 PLC ± | | APPLICATION SPEC | - | A 4 | 00779 | ©=1614882 | - |
| ANGLES ±5° | | WEIGHT | - | SCALE 40:1 | | | |
|  | | Customer Drawing | | SHEET 1 OF 1 | | REV BA2 | |

单击下面可查看定价，库存，交付和生命周期等信息

[>>TE Connectivity\(泰科\)](#)