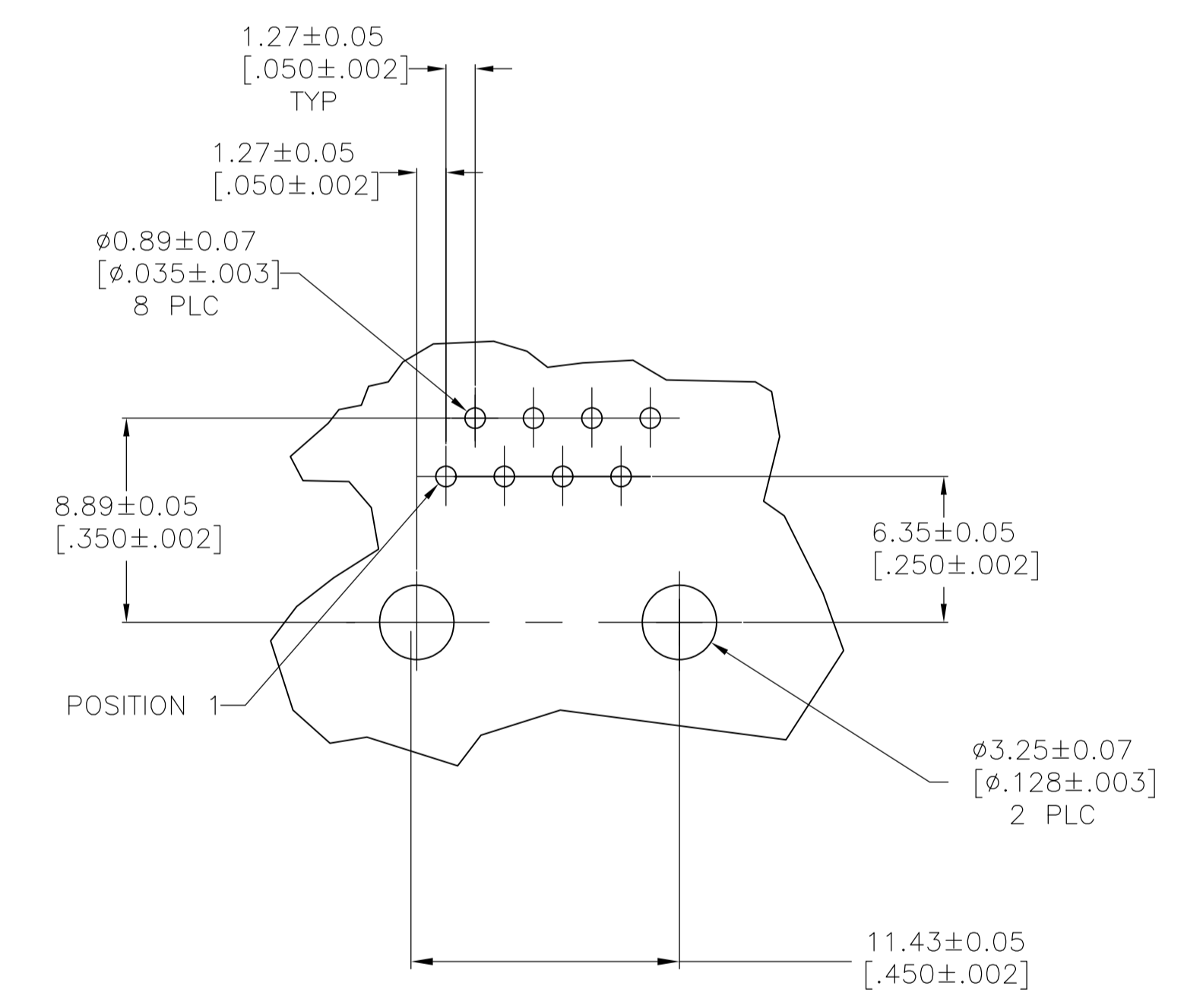
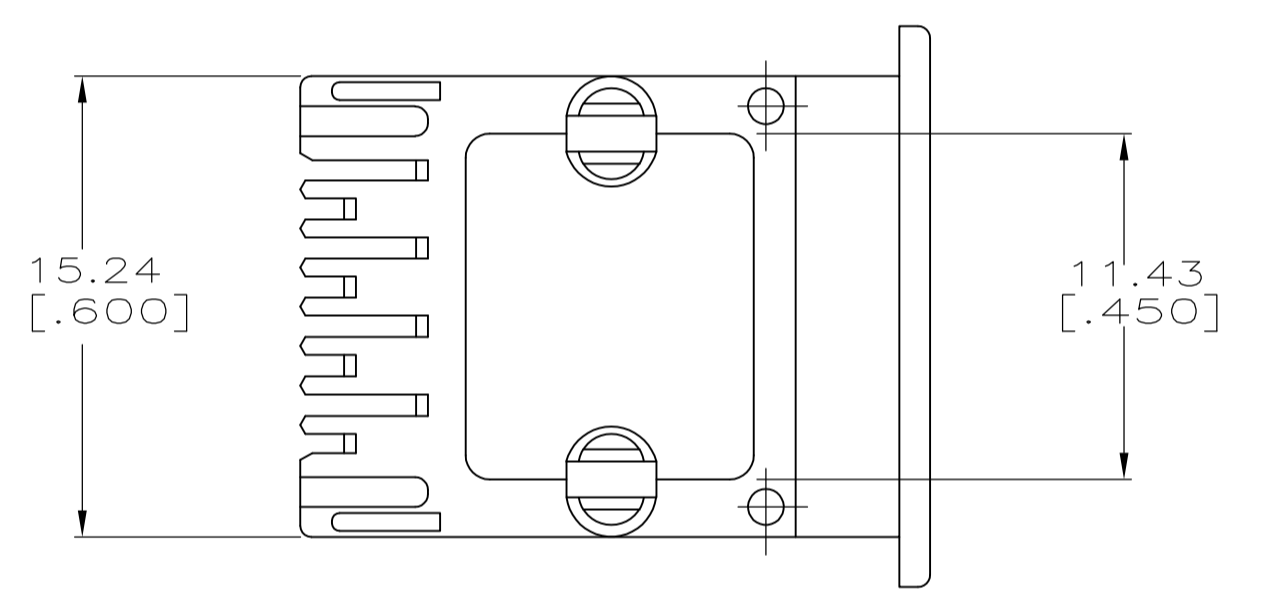
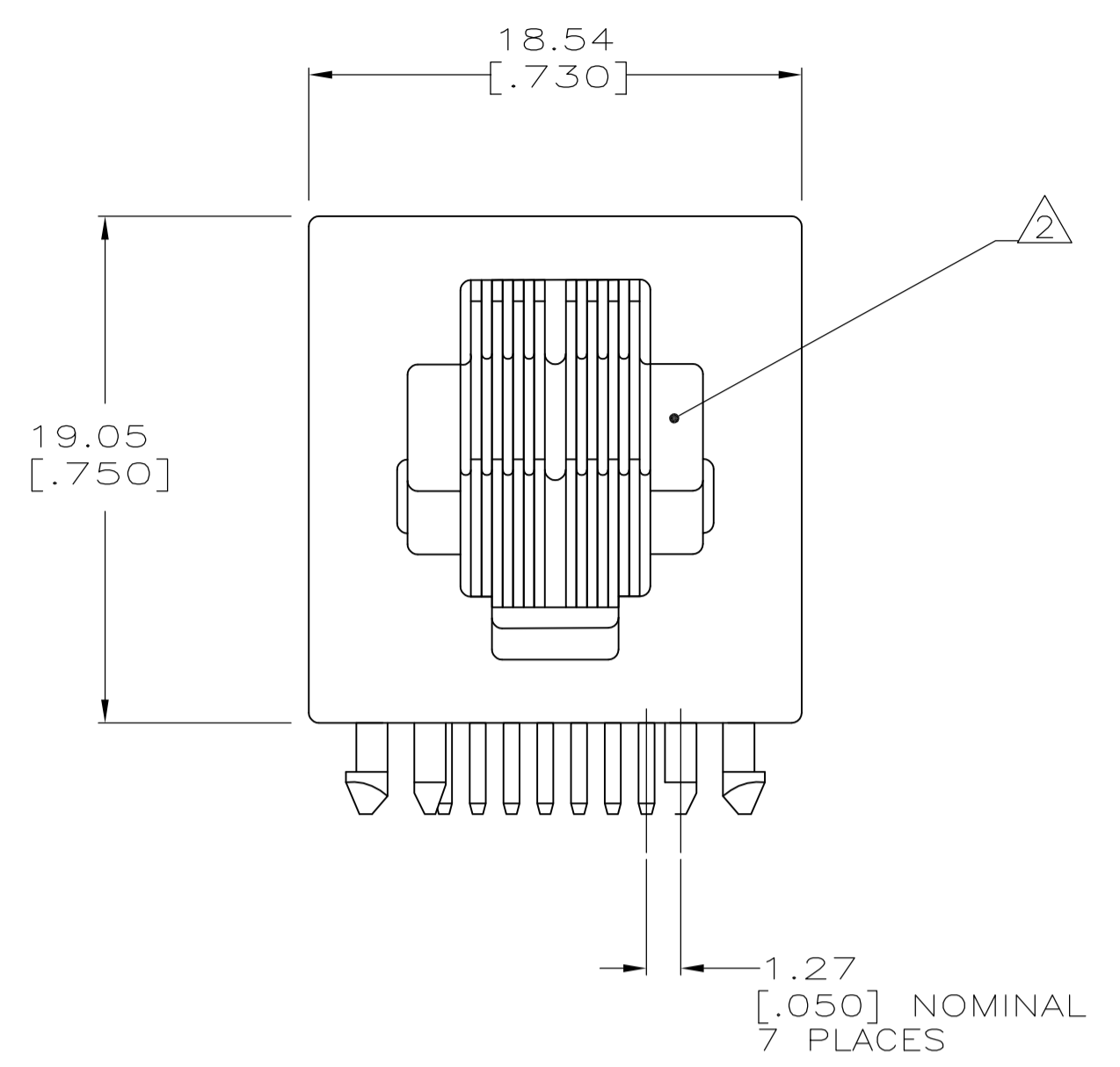
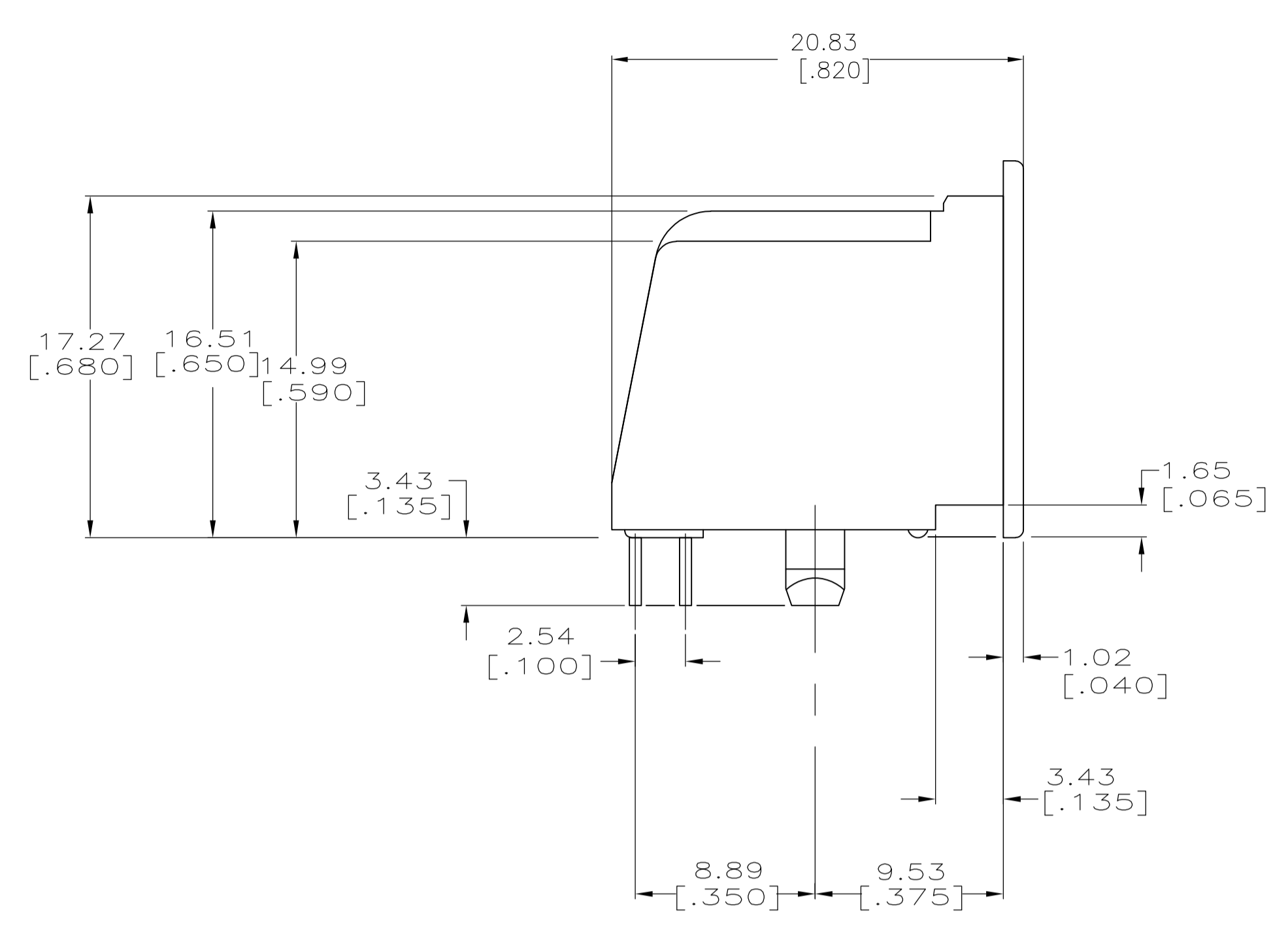
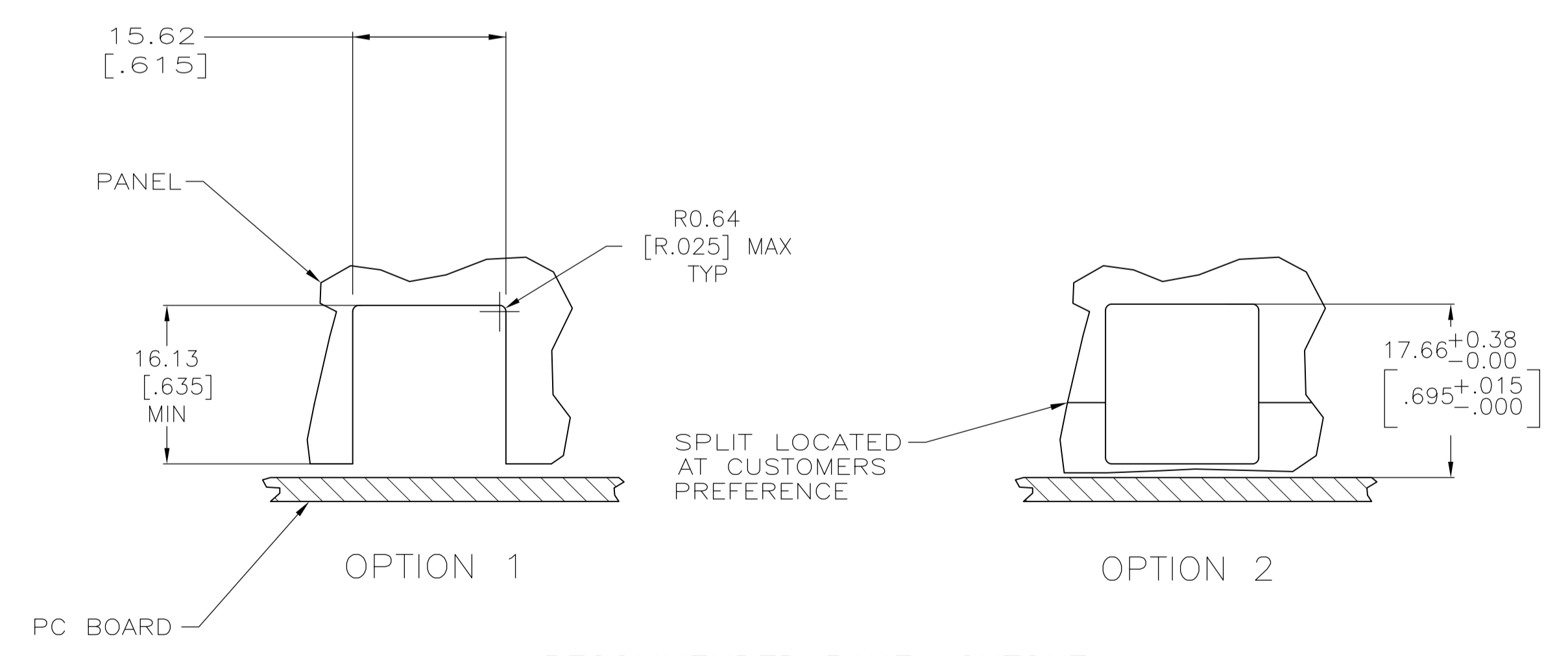


LOC		DIST		REVISIONS			
P	LTR	DESCRIPTION	DATE	DNW	APVD		
B		ECO-07-019669	23AUG2007	LAM	PR		



- MATERIAL: HOUSING - PBT POLYESTER, BLACK.  
 TERMINAL - 0.36 [.014] THICK PHOS BRONZE  
 PLATED WITH 1.27µm [.000050] MINIMUM THICK HARD  
 GOLD IN LOCALIZED GOLD PLATE AREA & 3.81µm  
 [.000150] MINIMUM THICK MATTE TIN IN SOLDER AREA  
 OVER 1.27µm [.000050] MINIMUM THICK NICKEL UNDERPLATE.
- △ CAVITY CONFORMS TO FCC RULES AND REGULATIONS  
 PART 68 AND REA BULLETIN 345-81, PE-76  
 SPECIFICATIONS FOR MODULAR TELEPHONE HARDWARE.



RECOMMENDED PANEL CUTOUT  
 SCALE 2:1

RECOMMENDED PRINTED CIRCUIT BOARD LAYOUT  
 COMPONENT SIDE

8	5520243-4
CONTACTS	PART NO

THIS DRAWING IS A CONTROLLED DOCUMENT.		DIN J. ALCORTA - 17JUN2005		Tyco Electronics Corporation	
DIMENSIONS: mm [INCHES]		DOCK 5 17JUN2005		Harrisburg, Pa 17105-3608	
TOLERANCES UNLESS OTHERWISE SPECIFIED:		APVD S. FLICKINGER 17JUN2005		NAME	
0 PLC ± -	1 PLC ± -	PRODUCT SPEC		PRINTED CIRCUIT BOARD	
2 PLC ± -	3 PLC ± 0.13[.005]	APPLICATION SPEC		MODULAR JACK ASSEMBLY, SIDE ENTRY, 8 POSITION, FLANGED	
4 PLC ± -	ANGLES ± -	114-2048		SIZE CAGE CODE DRAWING NO	
SEE NOTE 1	SEE NOTE 1	A1 00779		RESTRICTED TO	
CUSTOMER DRAWING		SCALE 4:1		SHEET 1 OF 1	
		REV B			

单击下面可查看定价，库存，交付和生命周期等信息

[>>TE Connectivity\(泰科\)](#)