

1 SHELL: ALUMINUM ALLOY 6061 T651  
 GROUND BLOCK RETENTION SCREW, JACKNUT & RETAINING NUT: STAINLESS STEEL PER AISI 316  
 JACKNUT SPRING: STAINLESS STEEL PER AISI 302  
 INSERT RETENTION CLIP, GROUNDING SPRING, GROUND CONTACT RETENTION CLIP  
 & GROUNDING CLIP: COPPER ALLOY PER ASTM B194  
 INTERMEDIATE PLATE: COPPER ALLOY PER ASTM B103  
 GROUND BLOCK INSULATOR: PEI THERMOPLASTIC PER ASTM D5205  
 PROTECTIVE COVER: THERMOPLASTIC ELASTOMER

2 SHELL: ELECTROLESS NICKEL PER SAE AMS-C-26074, CLASS 1.  
 GROUNDING CLIP: 1.27µm [50 µin] MIN GOLD PER ASTM B488 OVER 1.25µm [50 µin]  
 MIN NICKEL PER SAE AMS-QQ-N-290  
 INTERMEDIATE PLATE & GROUNDING SPRING: ELECTROLYTIC NICKEL PER SAE AMS-QQ-N-290

3 DATE CODE - YEAR & WEEK (YY WW)

4 INDEXING POINT FOR POLARIZATION.

5 SHELL CAVITY FOR GPRB SERIES INSERTS WITH KEYING CODE A.

6 SHELL CAVITY FOR GPRB SERIES INSERTS WITH KEYING CODE B.

7 PROTECTIVE COVERS NOT SHOWN FOR CLARITY.

8 36 CAVITIES FOR GROUNDING CONTACTS PER M39029/1-101.  
 GROUNDING CONTACTS, TYCO ELECTRONICS PART NUMBER 2-592404-1,  
 MAY BE PURCHASED SEPARATELY.

9 6-32 SCREWS ARE REQUIRED FOR PANEL MOUNTING (NOT INCLUDED)  
 RECOMMENDED TORQUE: 1.6 N-m [14 in-lb] MIN.

10 THREADED HOLES ARE SELF-LOCKING, HAVING THE SPIRALOCK® THREAD FORM.  
 SPIRALOCK® IS A REGISTERED TRADEMARK OF SPIRALOCK CORPORATION.

11 SCREW HEAD DIAMETER: 8.50 [0.335] MAX.

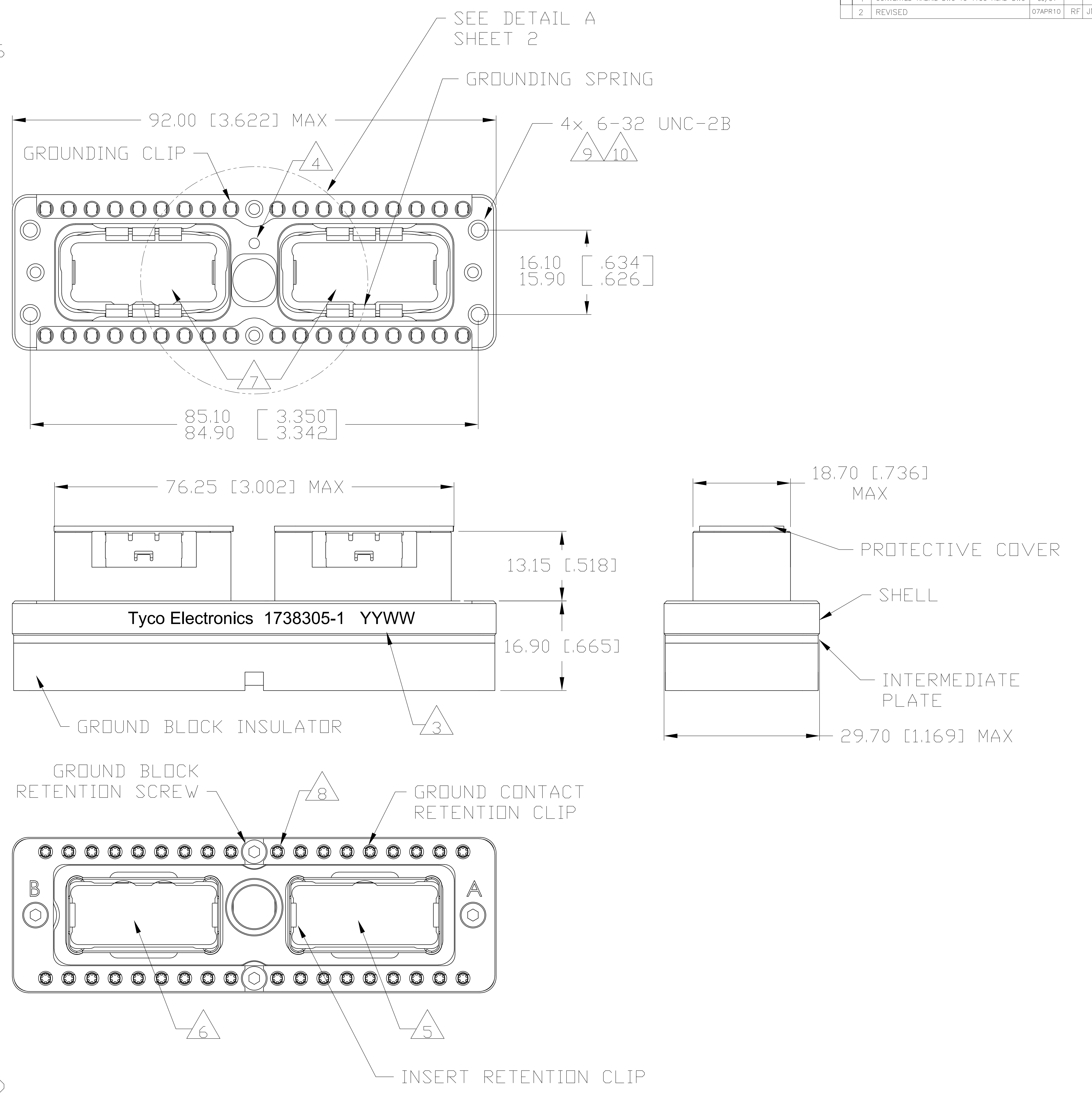
12 THE JACKNUT AND RETAINING NUT ARE SHIPPED UNASSEMBLED.  
 THE CUSTOMER SHALL APPLY LOCTITE® PRODUCT 272 THREADLOCKING ADHESIVE  
 WHEN INSTALLING THESE ON THE SHELL ASSEMBLY. LOCTITE® IS A  
 REGISTERED TRADEMARK OF LOCTITE CORPORATION.

13 A SPANNER WRENCH TOOL, TYCO ELECTRONICS P/N 1738220-1 (WITH 1/4-in ADAPTER)  
 OR 1738221-1 (WITH T-HANDLE), IS USED TO LOCK THE RETAINING NUT.  
 RECOMMENDED LOCKING TORQUE: 1.5 N-m [13 in-lb].

14. PITCH FOR SIDE-BY-SIDE MOUNTING: 30.10 [1.185] MIN.

15. DESCRIPTIVE PART NUMBER: GPRB2ZA22N  
 SERIES: GPRB  
 SHELL SIZE: 2 (TWO-CAVITY SHELL)  
 SHELL STYLE: Z (RECEPTACLE, WITH GROUNDING BLOCK AND GROUNDING SPRINGS)  
 MODIFICATION CODE: A (REAR PANEL-MOUNTED CONNECTOR WITH 4x 6-32 UNC MOUNTING HOLES)  
 LOCKING & POLARIZING DEVICE: 2 (JACKNUT)  
 POLARIZATION CODE: 2 (A-F JACKNUT HARDWARE SHIPPED UNASSEMBLED)  
 SHELL PLATING: N (NICKEL PLATING)

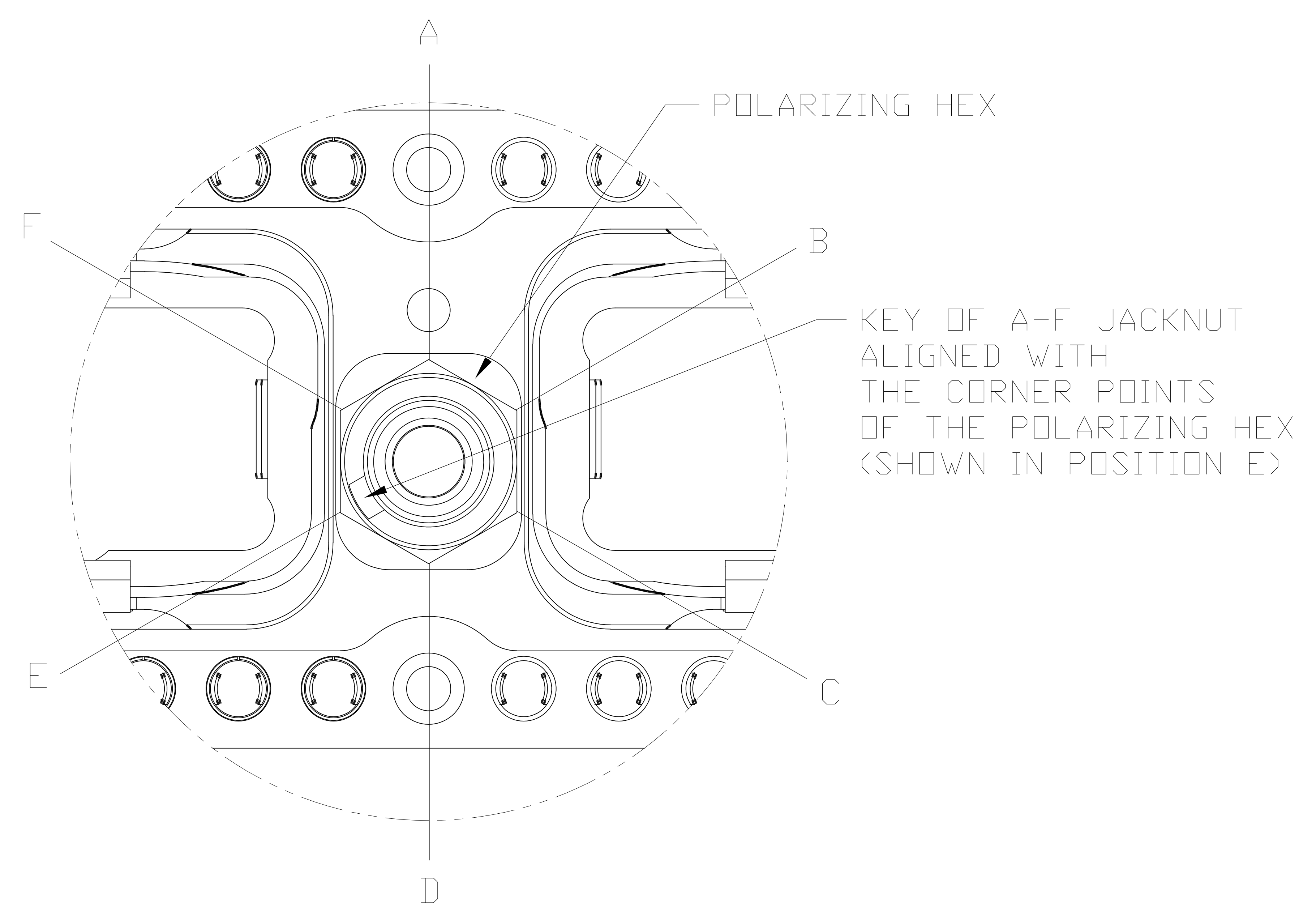
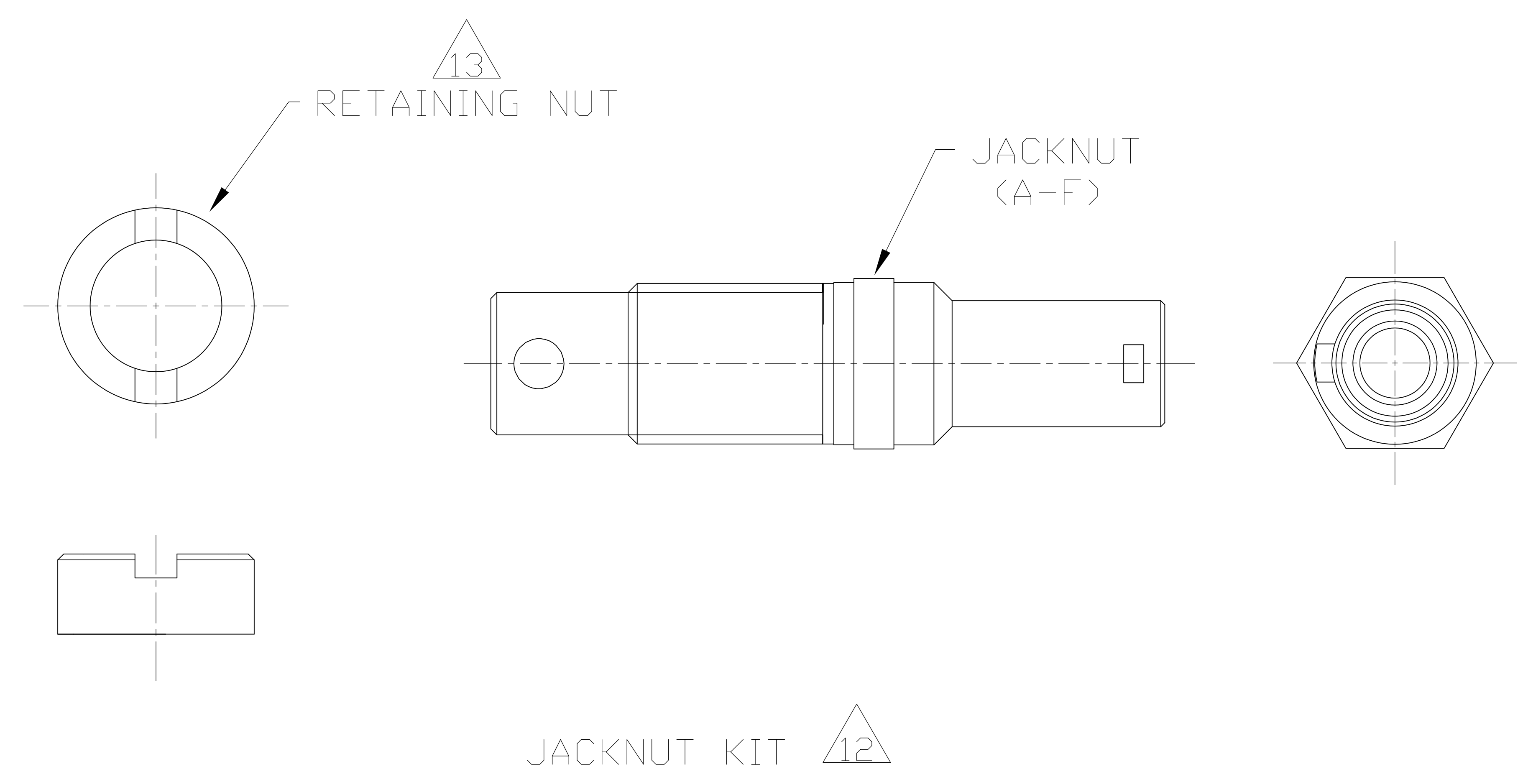
16. THIS PRODUCT IS SOLD BY TYCO ELECTRONICS UNDER A LICENSE FROM RADIAL SA.



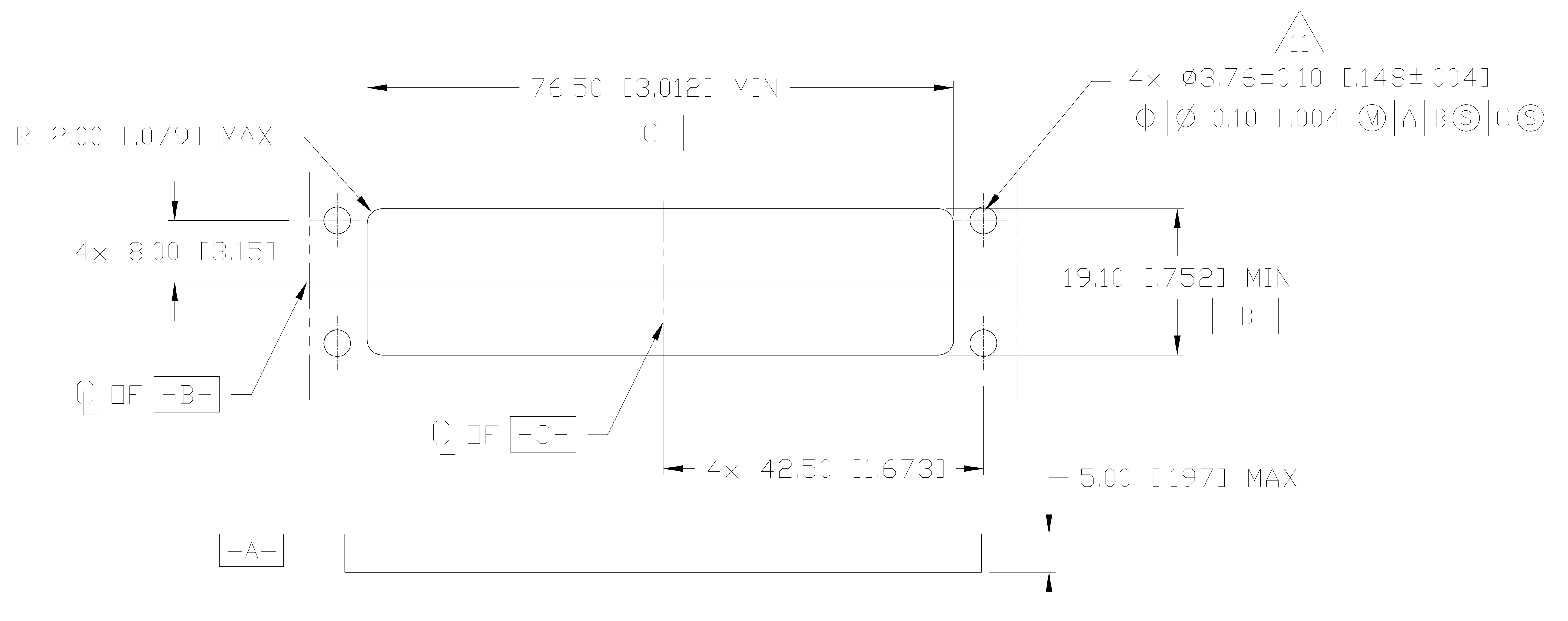
THIS PRINT IS  
**PRELIMINARY**  
 UNQUALIFIED PRODUCT  
 CONTACT PRODUCT ENGINEERING  
 BEFORE USING THIS PRINT

1738305-1  
 PART NUMBER

DIMENSIONS:		TOLERANCES UNLESS OTHERWISE SPECIFIED:		Dwg. No.		REV.		DATE		BY		CHK		APP'D	
0. PLG	±	0.00		1738305-1	1	09/04	RF	RF	JM						
1. PLG	±	0.25 [0.008]													
2. PLG	±	0.25 [0.008]													
3. PLG	±	0.25 [0.008]													
4. PLG	±	0.25 [0.008]													
5. PLG	±	0.25 [0.008]													
6. PLG	±	0.25 [0.008]													
MATERIAL:				FINISH:				SCALE:				SHEET:			
CUSTOMER DRAWING				SCALE: 1:1				SHEET 1 OF 2				REV 2			



DETAIL A - JACKNUT KIT ASSEMBLED



RECOMMENDED PANEL CUTOUT

THIS PRINT IS  
**PRELIMINARY**  
UNQUALIFIED PRODUCT  
CONTACT PRODUCT ENGINEERING  
BEFORE USING THIS PRINT

1738305-1  
PART NUMBER

THIS DRAWING IS A CONTROLLED DOCUMENT.		REV	DF	00	REV	1
DIMENSIONS: mm (INCHES)		UNLESS OTHERWISE SPECIFIED:	0.10 (0.004)	0.25 (0.010)	0.50 (0.020)	1.27 (0.050)
MATERIAL: <span style="border: 1px solid black; padding: 2px;">11</span>		FINISH: <span style="border: 1px solid black; padding: 2px;">12</span>	Tyco Electronics Corporation Harrisburg, Pa 17105-3608			
CUSTOMER DRAWING		SCALE: 1:1	RECEPTACLE SHELL KIT, WITH GROUND BLOCK, REAR PANEL MOUNT, WITH A-F JACKNUT, GPRB2			
DRAWING NO: A000779		SCALE: 1:1	SHEET 2 OF 2			

单击下面可查看定价，库存，交付和生命周期等信息

[>>TE Connectivity\(泰科\)](#)