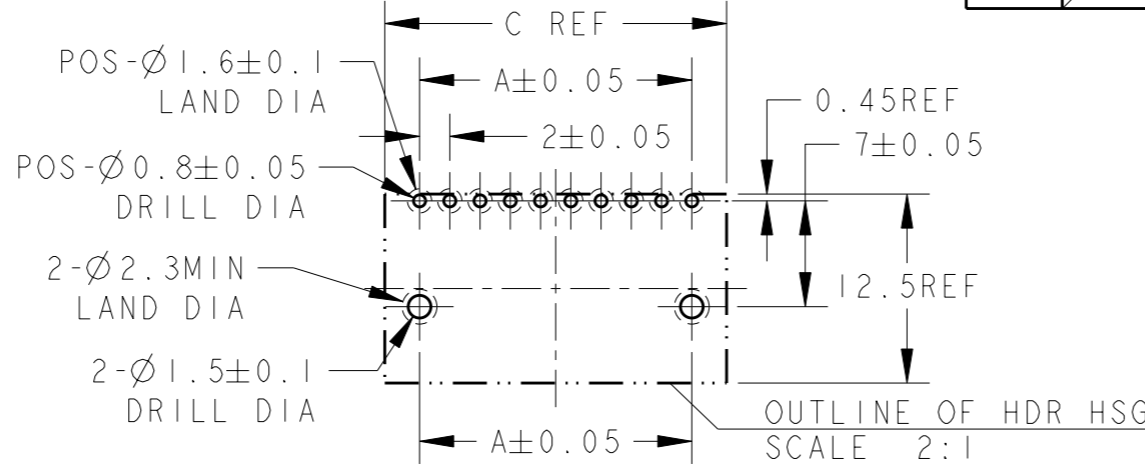
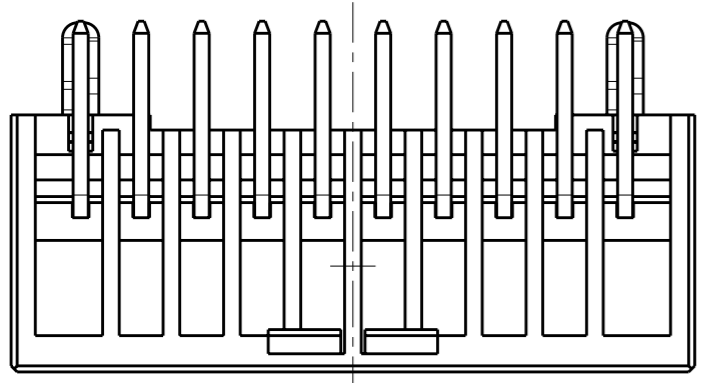
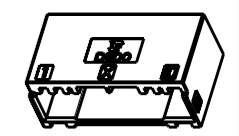


THIS DRAWING IS UNPUBLISHED. RELEASED FOR PUBLICATION 2007
 © COPYRIGHT 2007 BY TYCO ELECTRONICS CORPORATION. ALL INTERNATIONAL RIGHTS RESERVED.

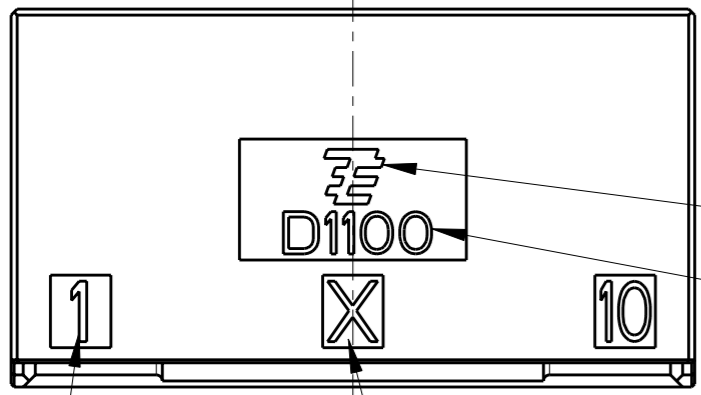
LOC	DIST	REVISIONS					
J		P	LTR	DESCRIPTION	DATE	DWN	APVD
			BI	REVISED PER ECR-10-019595	30SEP10	HMR	T.M



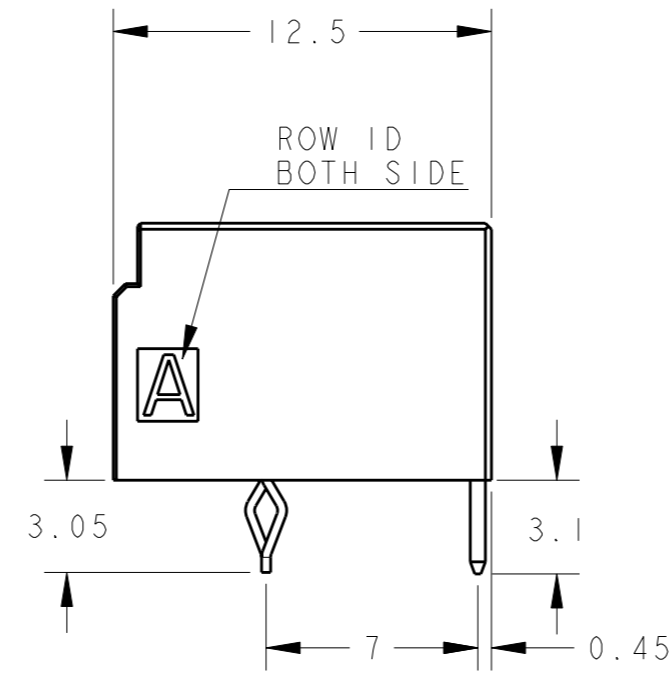
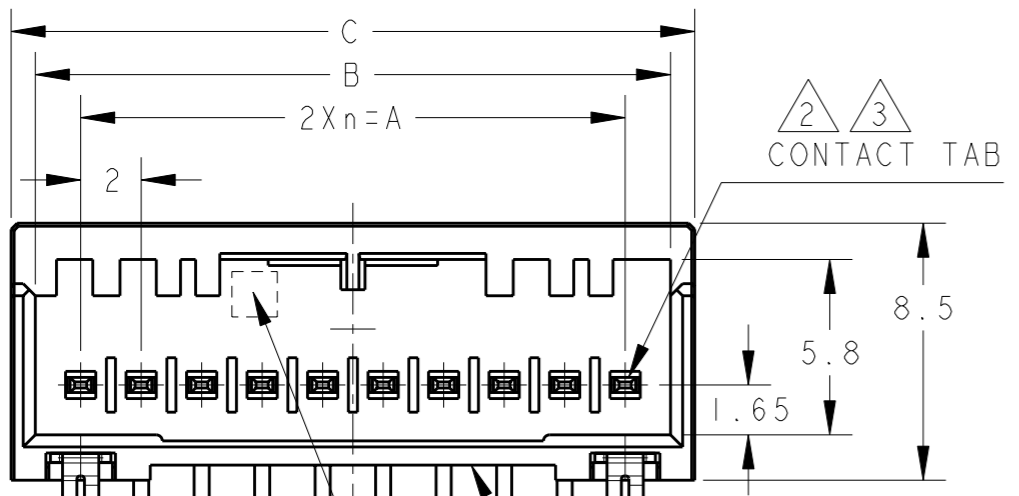
推奨基板取付穴寸法 : コネクタ搭載面 (非累積公差)
 PC基板厚 : $1.0 \sim 1.6 \pm 0.1$
 RECOMMEND PC BOARD HOLE PATTERN : CONNECTOR MOUNT SIDE (NOT ACCUMULATE TOLERANCE)
 PC BOARD THICKNESS : $1.0 \sim 1.6 \pm 0.1$



SCALE 1:1



- ①. 材料:ハウジング:ガラス入り熱可塑性ポリエステル樹脂(94V-0)、色:黒
 コンタクト:銅合金
 リテンションレグ:錫めっき済銅合金
- ②. めっき(全面):ニッケル下地めっき $1.27 \mu\text{m}$ 以上
- ③. めっき(接触部):②の上に金めっき $0.38 \mu\text{m}$ 以上
- ④. めっき(コンタクト半田付部):②の上に錫めっき $2 \mu\text{m}$ 以上
- 5. Y KEY形状は、X KEY形状と左右対称
- 6. 文字の形状、大きさ、および位置については、大略を示すものであり、詳細を示すものではありません。



- ①. MATERIAL: HOUSING: GLASS FILED THERMO PLASTIC POLYESTER(94V-0), COLOR: BLACK
 CONTACT: COPPER ALLOY
 RETENTION LEG: PRE-TIN COPPER ALLOY
- ②. FINISH(ALL OVER): NICKEL PLATING $1.27 \mu\text{m}$ MIN
- ③. FINISH(CONTACT AREA): GOLD PLATING $0.38 \mu\text{m}$ MIN AFTER ②
- ④. FINISH(CONTACT TAIL): TIN PLATING $2 \mu\text{m}$ MIN AFTER ②
- 5. THE KEYING ARRANGEMENT OF "Y" IS SYMMETRIC WITH "X".
- 6. THE SHAPE, SIZE AND POSITION OF THE CHARACTER SHOW THE OUTLINE. THEY DON'T SHOW DETAILS.

10	Y	9	18.0	21.0	22.6	2-1939760-0
10	X	9	18.0	21.0	22.6	1-1939760-0
8	Y	7	14.0	17.0	18.6	2-1939760-8
8	X	7	14.0	17.0	18.6	1-1939760-8
4	Y	3	6.0	9.0	10.6	2-1939760-4
4	X	3	6.0	9.0	10.6	1-1939760-4
POS	KEY	n	A	B	C	PART NO

10POS(X-KEY): 1-1939760-0

THIS DRAWING IS A CONTROLLED DOCUMENT FOR TYCO ELECTRONICS CORPORATION IT IS SUBJECT TO CHANGE AND THE CONTROLLING ENGINEERING ORGANIZATION SHOULD BE CONTACTED FOR THE LATEST REVISION.		DWN 30JUL2007 M. MAEBASHI CHK 30JUL2007 T. KUDO APVD 30JUL2007 D. MITSUGI		Tyco Electronics Corporation Kawasaki, Japan	
DIMENSIONS: 単位: 耗 mm 		TOLERANCES UNLESS OTHERWISE SPECIFIED: 一般公差 $\pm 0.3, \pm 3^\circ$ 0-PLC \pm 1-PLC \pm 2-PLC \pm 3-PLC \pm 4-PLC \pm ANGLES \pm		NAME 名称 DYNAMIC D1100S 2.0mm PITCH HDR ASSY, H-TYPE 2-10POS	
MATERIAL 材料 		FINISH 仕上 		PRODUCT SPEC 108-78268 APPLICATION SPEC 114-5377 WEIGHT CUSTOMER DRAWING	
SIZE A3 CAGE CODE 00779 DRAWING NO. 1939760			RESTRICTED TO SCALE 尺度 4:1 SHEET 1 OF 2 REV BI		

THIS DRAWING IS UNPUBLISHED.

RELEASED FOR PUBLICATION

2007

© COPYRIGHT 2007

BY TYCO ELECTRONICS CORPORATION. ALL INTERNATIONAL RIGHTS RESERVED.

LOC
J

DIST

REVISIONS

変更

P

LTR

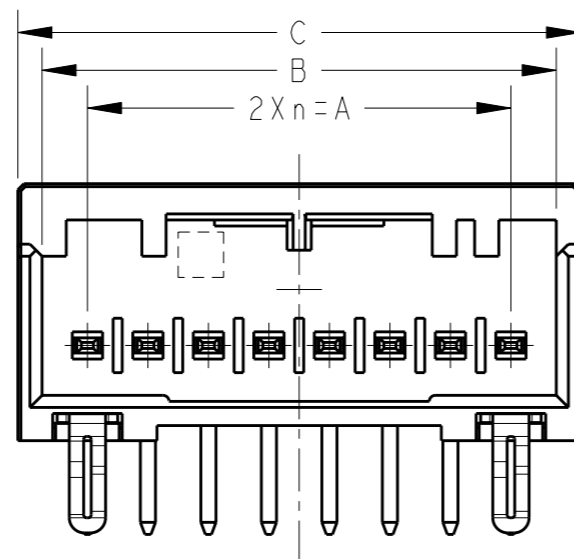
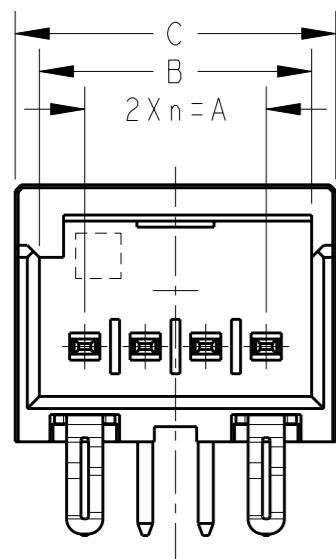
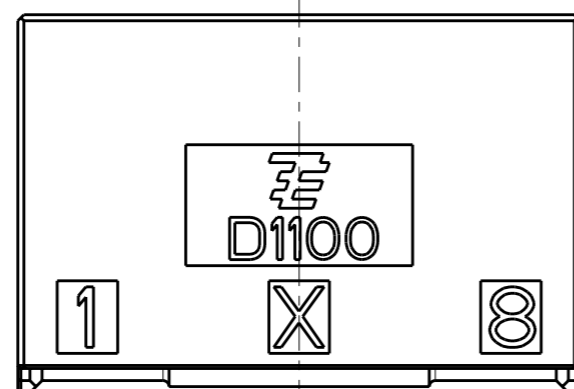
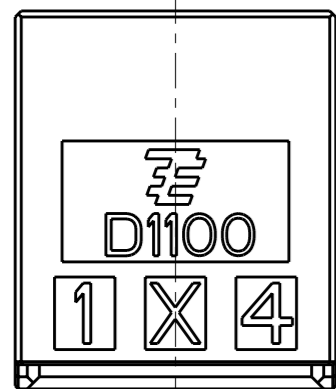
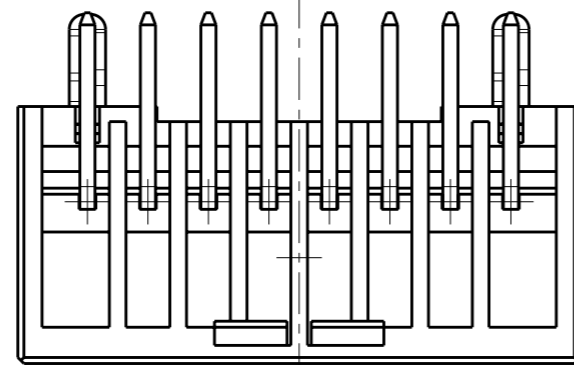
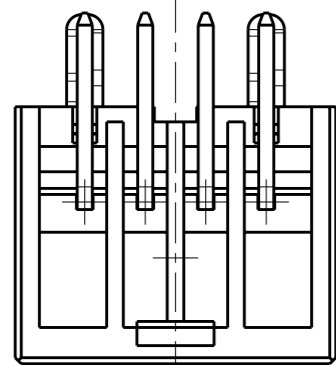
DESCRIPTION

DATE

DWN

APVD

SEE SHEET 1 OF 2

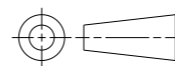


4POS(X-KEY): I-1939760-4

8POS(X-KEY): I-1939760-8

THIS DRAWING IS A CONTROLLED DOCUMENT FOR TYCO ELECTRONICS CORPORATION
IT IS SUBJECT TO CHANGE AND THE CONTROLLING ENGINEERING ORGANIZATION
SHOULD BE CONTACTED FOR THE LATEST REVISION.

DIMENSIONS:
単位: 珪
mm



TOLERANCES UNLESS
OTHERWISE SPECIFIED:

- 一般公差
- 0 PLC ±
- 1 PLC ±
- 2 PLC ±
- 3 PLC ±
- 4 PLC ±
- ANGLES ±

MATERIAL
材料

FINISH
仕上

DWN M. MAEBASHI 30JUL2007

CHK T. KUDO 30JUL2007

APVD D. MITSUGI 30JUL2007

PRODUCT SPEC
製品規格
108-78268

APPLICATION SPEC
取付適用規格
114-5377

WEIGHT

CUSTOMER DRAWING



Tyco Electronics Corporation
Kawasaki, Japan

NAME
名称
DYNAMIC D1100S 2.0mmPITCH
HDR ASSY, H-TYPE
2-10POS

SIZE	CAGE CODE	DRAWING NO 番号	RESTRICTED TO
A3	00779	C-1939760	

SCALE
尺度 4:1 SHEET 2 OF 2 REV B1

单击下面可查看定价，库存，交付和生命周期等信息

[>>TE Connectivity\(泰科\)](#)