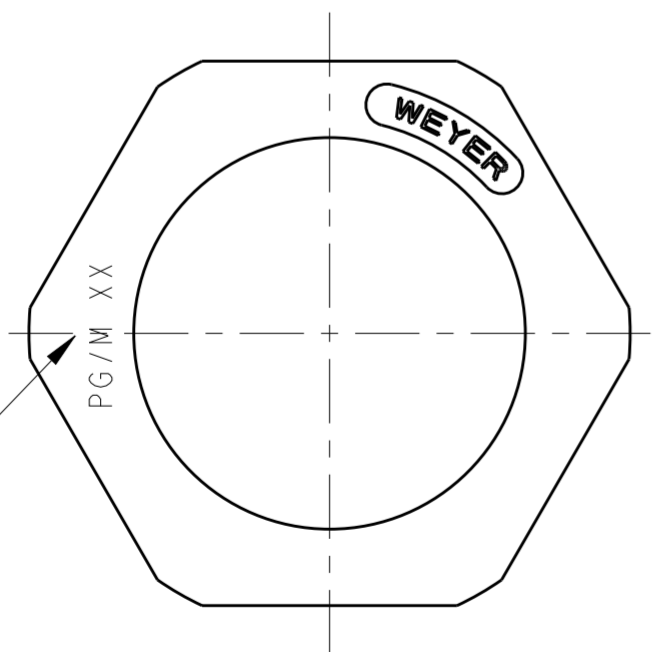
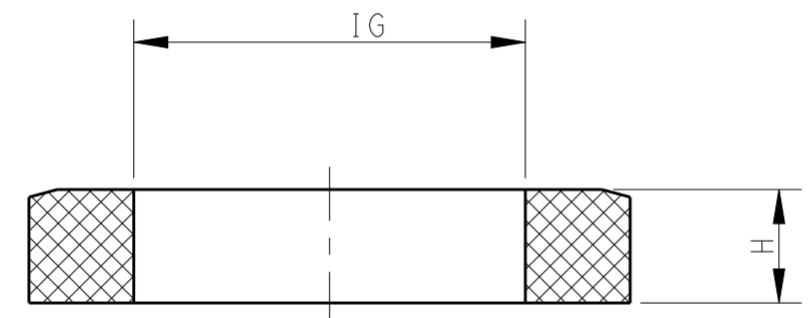
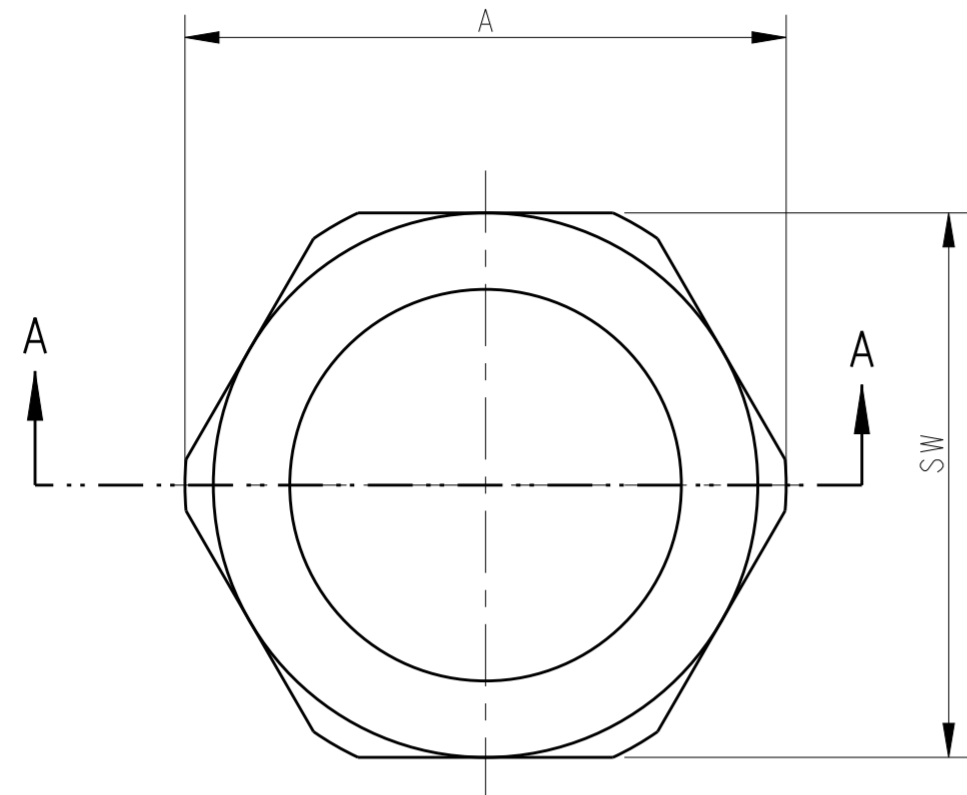


THIS DRAWING IS UNPUBLISHED. RELEASED FOR PUBLICATION
 © COPYRIGHT copyright.dBTe- ALL RIGHTS RESERVED.

REVISIONS					
P	LTR	DESCRIPTION	DATE	DWN	APVD
A		INITIAL	15JUN2016	GY	CW
B		ECR-17-007002	15MAY2017	GY	CW
B1		ECR-17-010578	27JUL2017	RL	CW



PG/M identification corresponding IG
与IG对应的PG/M标示

NOTES / 技术指标:
 OPERATION TEMPERATURE: -40°C~+100°C
 工作温度: -40°C~+100°C

	PG7	5	21	19	LN-7-P	PLASTIC LOCK NUT PG7 (GREY WHITE) / 塑料螺母PG7 (灰白色)	3262070001	T3262070001-000
	PG9	5	24	22	LN-9-P	PLASTIC LOCK NUT PG9 (GREY WHITE) / 塑料螺母PG9 (灰白色)	3162090001	T3162090001-000
Obsolete / 废弃	PG9	4.9	23.9	22	LN-9-P	PLASTIC LOCK NUT PG9 (DARK GRAY) / 塑料螺母PG9 (深灰色)	3162090111	T3162090111-000
Obsolete / 废弃	PG11	5	26.5	24	LN-11-P	PLASTIC LOCK NUT PG11 (MILK WHITE) / 塑料螺母PG11 (乳白色)	3262110001	T3262110001-000
	PG11	5	26.5	24	LN-11-P	PLASTIC LOCK NUT PG11 (GREY WHITE) / 塑料螺母PG11 (灰白色)	3262110001-1	T3262110001-100
Obsolete / 废弃	PG13	6	29.5	27	LN-13-P	PLASTIC LOCK NUT PG13.5 (MILK WHITE) / 塑料螺母PG13.5 (乳白色)	3262130001	T3262130001-000
	PG13	6	29.5	27	LN-13-P	PLASTIC LOCK NUT PG13.5 (GREY WHITE) / 塑料螺母PG13.5 (灰白色)	3262130001-1	T3262130001-100
Obsolete / 废弃	PG16	6	33.5	30	LN-16-P	PLASTIC LOCK NUT PG16 (MILK WHITE) / 塑料螺母PG16 (乳白色)	3262160001	T3262160001-000
	PG16	6	32	30	LN-16-P	PLASTIC LOCK NUT PG16 (GRAY WHITE) / 塑料螺母PG16 (灰白色)	3262160001-1	T3262160001-100
Obsolete / 废弃	PG16	6	32	30	LN-16-BP	PLASTIC LOCK NUT PG16 (BLACK) / 塑料螺母PG16 (黑色)	3262160001-2	T3262160001-200
Obsolete / 废弃	PG21	7	38	36	LN-21-P	PLASTIC LOCK NUT PG21 (MILK WHITE) / 塑料螺母PG21 (乳白色)	3262210001	T3262210001-000
	PG21	7	38	36	LN-21-P	PLASTIC LOCK NUT PG21 (GRAY WHITE) / 塑料螺母PG21 (灰白色)	3262210001-1	T3262210001-100
Obsolete / 废弃	PG21	7	38	36	LN-21-BP	PLASTIC LOCK NUT PG21 (BLACK) / 塑料螺母PG21 (黑色)	3262210001-2	T3262210001-200
Obsolete / 废弃	PG29	7.1	51.1	45	LN-29-P	PLASTIC LOCK NUT PG29 (MILK WHITE) / 塑料螺母PG29 (乳白色)	3262290001	T3262290001-000
	PG29	7	49.5	45	LN-29-P	PLASTIC LOCK NUT PG29 (GRAY WHITE) / 塑料螺母PG29 (灰白色)	3262290001-1	T3262290001-100
	PG29	7	49.5	45	LN-29-BP	PLASTIC LOCK NUT PG29 (BLACK) / 塑料螺母PG29 (黑色)	3262290001-2	T3262290001-200
	PG36	8	65	60	LN-36-P	PLASTIC LOCK NUT PG36 (GRAY WHITE) / 塑料螺母PG36 (灰白色)	3262360001	T3262360001-000
	PG42	8	71.5	65	LN-42-P	PLASTIC LOCK NUT PG42 (GREY WHITE) / 塑料螺母PG42 (灰白色)	3262420001	T3262420001-000
	PG48	8	76.5	70	LN-48-P	PLASTIC LOCK NUT PG48 (GREY WHITE) / 塑料螺母PG48 (灰白色)	3262480001	T3262480001-000
	M12X1.5	5	21	19	LN-12-PM	PLASTIC LOCK NUT M12 (GREY WHITE) / 塑料螺母M12 (灰白色)	3262120050	T3262120050-000
	M16X1.5	5	24	22	LN-16-PM	PLASTIC LOCK NUT M16 (GREY WHITE) / 塑料螺母M16 (灰白色)	3262160050	T3262160050-000
	M16X1.5	5	24	22	LN-16-BPM	PLASTIC LOCK NUT M16 (BLACK) / 塑料螺母M16 (黑色)	3262160050-2	T3262160050-200
	M20X1.5	6	29.5	27	LN-20-PM	PLASTIC LOCK NUT M20 (GRAY WHITE) / 塑料螺母M20 (灰白色)	3262200050-1	T3262200050-100
	M20X1.5	6	29.5	27	LN-20-BPM	PLASTIC LOCK NUT M20 (BLACK) / 塑料螺母M20 (黑色)	3262200050-2	T3262200050-200
	M25X1.5	6	34.5	32	LN-25-PM	PLASTIC LOCK NUT M25 (GREY WHITE) / 塑料螺母M25 (灰白色)	3262250050	T3262250050-000
Obsolete / 废弃	M25X1.5	6.5	39	36	LN-25-PM	PLASTIC LOCK NUT M25 (GRAY WHITE) / 塑料螺母M25 (灰白色)	3262250050-1	T3262250050-100
Obsolete / 废弃	M25X1.5	6	34.5	32	LN-25-BPM	PLASTIC LOCK NUT M25 (BLACK) / 塑料螺母M25 (黑色)	3262250050-2	T3262250050-200
Obsolete / 废弃	M32X1.5	7	45	41	LN-32-PM	PLASTIC LOCK NUT M32 (MILK WHITE) / 塑料螺母M32 (乳白色)	3262320050	T3262320050-000
	M32X1.5	7	45	41	LN-32-PM	PLASTIC LOCK NUT M32 (GRAY WHITE) / 塑料螺母M32 (灰白色)	3262320050-1	T3262320050-100
	M32X1.5	7	45	41	LN-32-BPM	PLASTIC LOCK NUT M32 (BLACK) / 塑料螺母M32 (黑色)	3262320050-2	T3262320050-200
	M40X1.5	8	55	50	LN-40-PM	PLASTIC LOCK NUT M40 (GREY WHITE) / 塑料螺母M40 (灰白色)	3262400050	T3262400050-000
	M50X1.5	8	65	60	LN-50-PM	PLASTIC LOCK NUT M50 (GREY WHITE) / 塑料螺母M50 (灰白色)	3262500050	T3262500050-000
	M60X1.5	8	76.5	70	LN-60-PM	PLASTIC LOCK NUT M60 (GREY WHITE) / 塑料螺母M60 (灰白色)	3262600050	T3262600050-000
	M63X1.5	8	83	75	LN-63-PM	PLASTIC LOCK NUT M63 (GREY WHITE) / 塑料螺母M63 (灰白色)	3262630050	T3262630050-000

IG	H	A	SW	DESCRIPTION 产品描述	PART NUMBER (OLD) 成品料号(旧)	PART NUMBER 成品料号
THIS DRAWING IS A CONTROLLED DOCUMENT. DWN: GINO.YAO 06 JUN 2016 CHK: CHRIS.WANG 06 JUN 2016 APVD: XIANG.XU 06 JUN 2016						
DIMENSIONS: mm 				TOLERANCES UNLESS OTHERWISE SPECIFIED: 0 PLC ± 1 PLC ± 2 PLC ± 3 PLC ± 4 PLC ± ANGLES ± FINISH		PRODUCT SPEC APPLICATION SPEC WEIGHT
MATERIAL: NYLON				NAME: LN-XX-P/M PLASTIC LOCK NUTS		SIZE: A2 CAGE CODE: - DRAWING NO: T3262XX00XXX00 RESTRICTED TO: -
CUSTOMER DRAWING					SCALE: 3:1	SHEET 1 OF 1 REV B1

单击下面可查看定价，库存，交付和生命周期等信息

[>>TE Connectivity\(泰科\)](#)