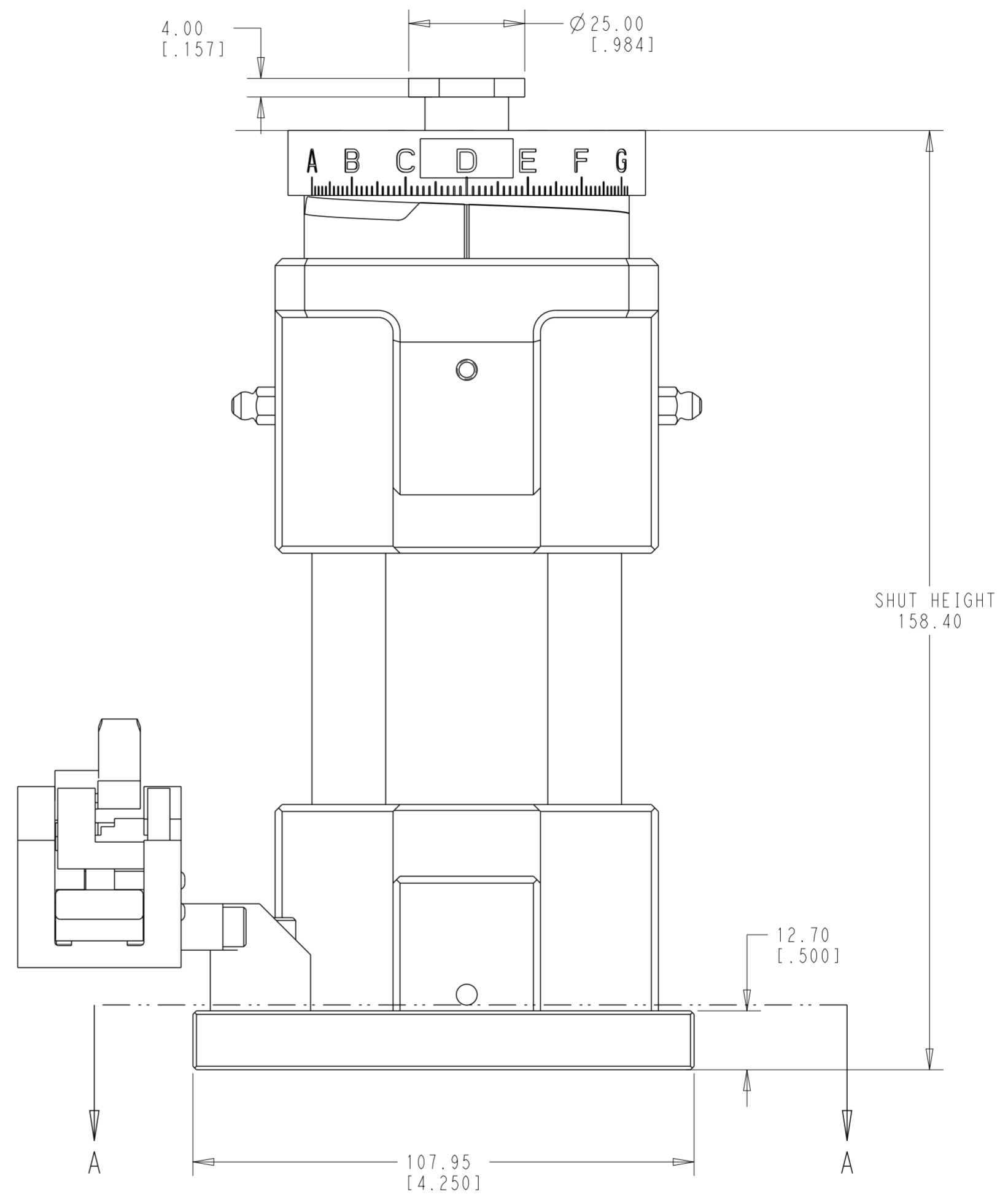
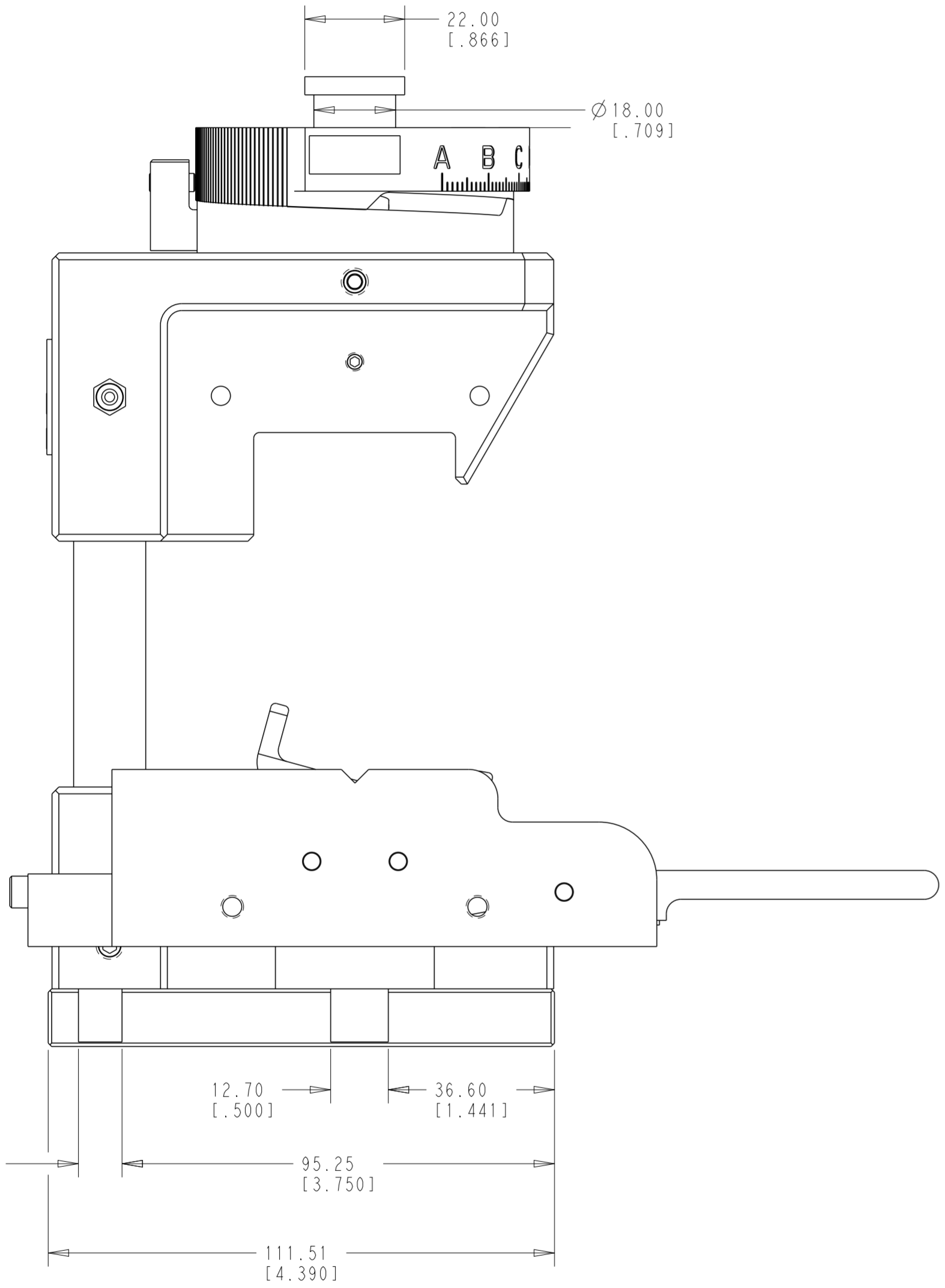


PART NUMBER	REV	FIRST USED
2305470-1	F	HV DIE HOLDER USED ON HF 20 OR HV 20

REVISIONS					
P	LTR	DESCRIPTION	DATE	DWN	APVD
D		RELEASED	13JUL2020	KH	YY
F		ECR-20-014458	21OCT2020	EP	CK
F1		ECR-21-006433	22JUN2021	JWC	TE



THIS DRAWING IS A CONTROLLED DOCUMENT.

DWN	K HUANG	08JUL2020
CHK	Y YIN	08JUL2020
APVD	Y YIN	08JUL2020

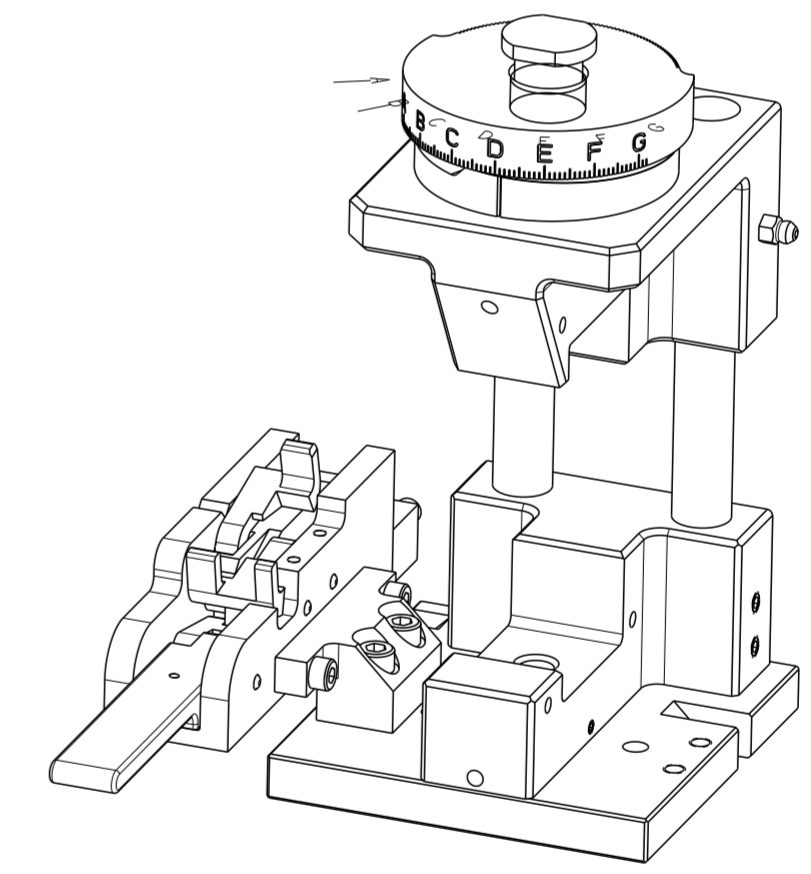
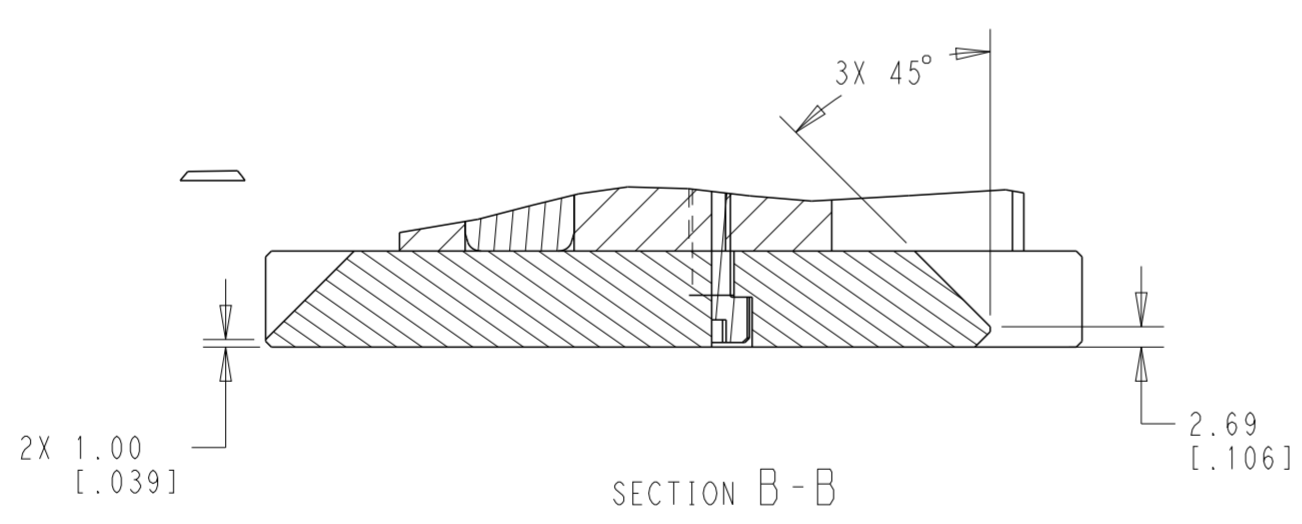
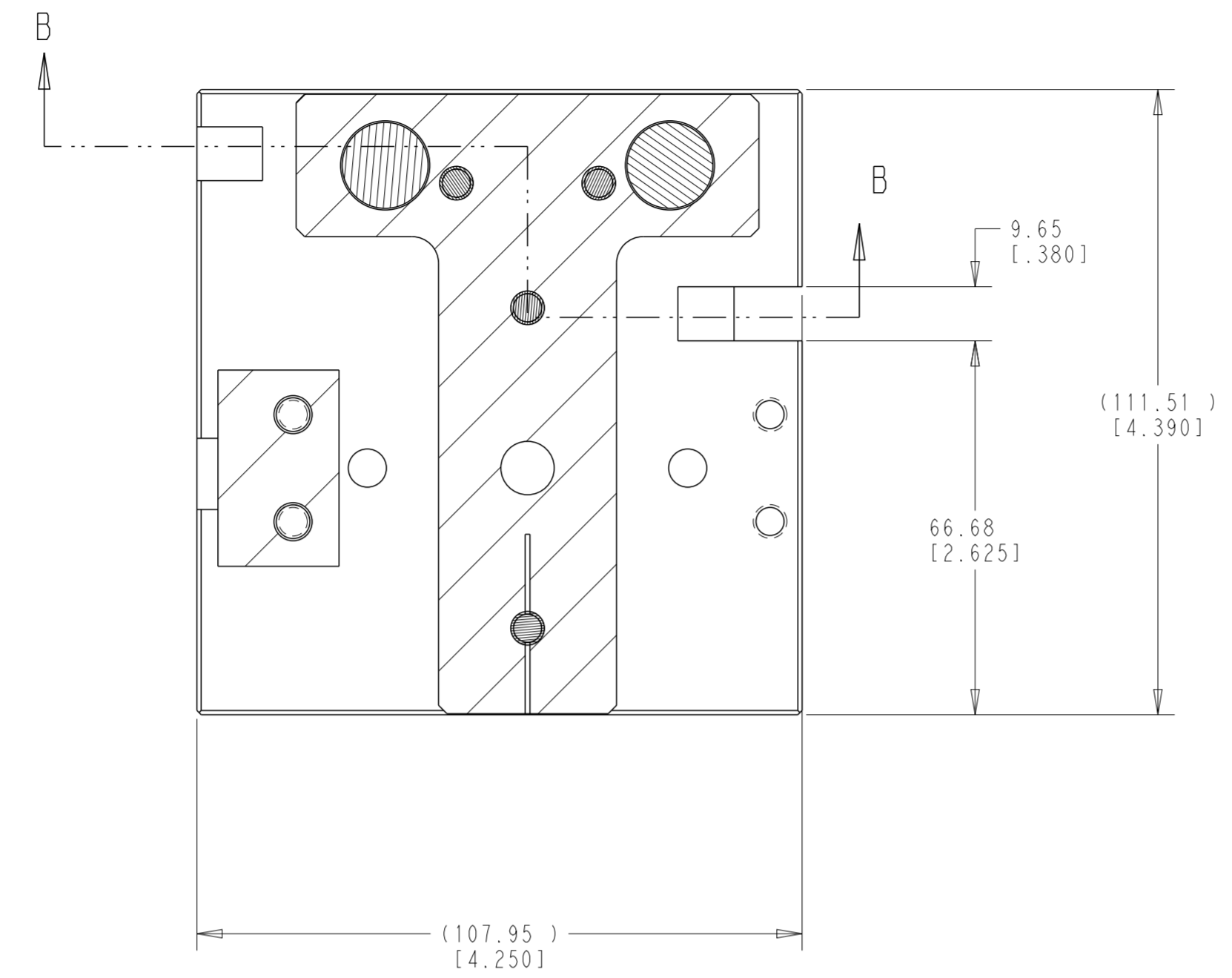
STE TE Connectivity


NAME: HV MODULAR DIE HOLDER WITH FINE ADJUST

SIZE	A2	CAGE CODE	00779	DRAWING NO	C-2305470	RESTRICTED TO	-
SCALE	1:1	SHEET	1	OF	2	REV	F1

CUSTOMER DRAWING

REVISIONS				
P	LTR	DESCRIPTION	DATE	APVD
		SEE SHEET 1		



THIS DRAWING IS A CONTROLLED DOCUMENT.		DWN K HUANG 08 JUL 2020	 TE Connectivity																						
DIMENSIONS: mm		CHK Y YIN 08 JUL 2020																							
TOLERANCES UNLESS OTHERWISE SPECIFIED:		APVD Y YIN 08 JUL 2020	NAME HV MODULAR DIE HOLDER WITH FINE ADJUST																						
<table border="0"> <tr> <td>0 PLC</td> <td>±</td> <td></td> </tr> <tr> <td>1 PLC</td> <td>±0.1</td> <td></td> </tr> <tr> <td>2 PLC</td> <td>±0.02</td> <td></td> </tr> <tr> <td>3 PLC</td> <td>±</td> <td></td> </tr> <tr> <td>4 PLC</td> <td>±</td> <td></td> </tr> <tr> <td>ANGLES</td> <td>±</td> <td>±0° 30'</td> </tr> <tr> <td>FINISH</td> <td>-</td> <td></td> </tr> </table>		0 PLC	±		1 PLC	±0.1		2 PLC	±0.02		3 PLC	±		4 PLC	±		ANGLES	±	±0° 30'	FINISH	-		PRODUCT SPEC -	SIZE A2	CAGE CODE 00779
0 PLC	±																								
1 PLC	±0.1																								
2 PLC	±0.02																								
3 PLC	±																								
4 PLC	±																								
ANGLES	±	±0° 30'																							
FINISH	-																								
MATERIAL -		APPLICATION SPEC -	DRAWING NO G-2305470	RESTRICTED TO -																					
		WEIGHT -	SCALE 1:1 SHEET 2 OF 2 REV F1																						
		CUSTOMER DRAWING																							

单击下面可查看定价，库存，交付和生命周期等信息

[>>TE Connectivity\(泰科\)](#)